

## IPCV 16/ 5-G-10,16

Order No.: 1969726

The figure shows a 5-pos. version of the product

<http://eshop.phoenixcontact.de/phoenix/treeViewClick.do?UID=1969726>

Header, Nominal current: 76 A, Nom. voltage: 1000 V, Pitch: 10.16 mm, Number of positions: 5, Color: green, Assembly: Soldering

### Commercial data

EAN	4017918946746
Pack	50 pcs.
Customs tariff	85366990
Weight/Piece	0.01965 KG
Catalog page information	Page 426 (CC-2009)

### Product notes

WEEE/RoHS-compliant since:  
05/05/2003

<http://www.download.phoenixcontact.com>  
Please note that the data given here has been taken from the online catalog. For comprehensive information and data, please refer to the user documentation. The General Terms and Conditions of Use apply to Internet downloads.

### Technical data

#### Dimensions / positions

Pitch	10.16 mm
Dimension a	40.64 mm
Number of positions	5
Pin dimensions	0,8 x 1,2
Pin spacing	10.16 mm

Hole diameter	1.7 mm
<b>Technical data</b>	
Insulating material group	I
Rated surge voltage (III/3)	8 kV
Rated surge voltage (III/2)	8 kV
Rated surge voltage (II/2)	8 kV
Rated voltage (III/2)	1000 V
Rated voltage (II/2)	1000 V
Nominal current $I_N$	76 A
Nominal voltage $U_N$	1000 V
Maximum load current	76 A
Insulating material	PA
Inflammability class acc. to UL 94	V0

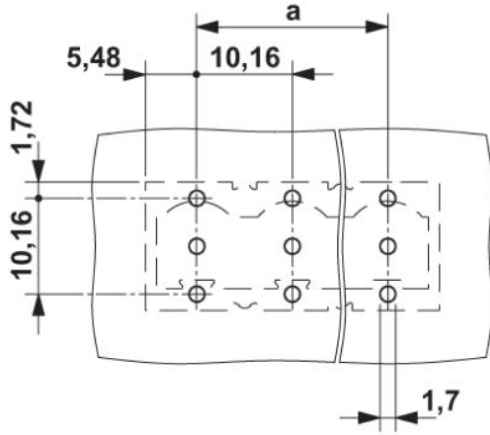
#### Accessories

Item	Designation	Description
<b>General</b>		
1970016	CS-IPC 16/ 6	Coding pin, serves to ensure correct polarization on the PCB during manual mounting
<b>Marking</b>		
0805179	SK 10/5:SO	Marker card, special printing, self-adhesive, labeled acc. to customer requirements, 10 identical marker strips per card, max. 25-position labeling per strip, color: White
0803922	SK U/5,0 WH:UNBEDRUCKT	Unprinted marker cards, DIN A4 format, pitch as desired, self-adhesive, with 35 stamped marker strips, 185 mm strip length, can be labeled with the CMS system or manually with the M-PEN
<b>Plug/Adapter</b>		
1600027	CP-HCC 4	Keying profile for contact inserts, Color: red

**Drawings**

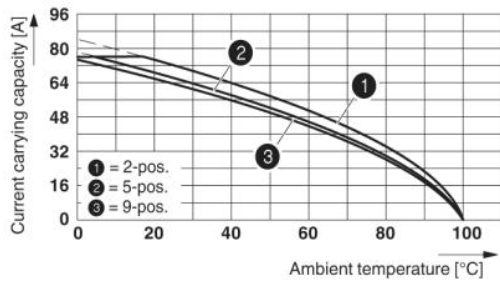
Drilling diagram

The illustration shows the 3-pos. version



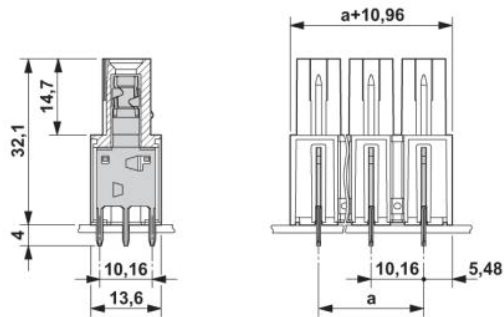
Diagram

Derating curve for: ISPC 16/...-ST-10,16 with IPCV 16/...-G-10,16



Dimensioned drawing

The illustration shows the 3-pos. version



**Address**

PHOENIX CONTACT GmbH & Co. KG  
Flachsmarktstr. 8  
32825 Blomberg, Germany  
Phone +49 5235 3 00  
Fax +49 5235 3 41200  
<http://www.phoenixcontact.com>



© 2009 Phoenix Contact  
Technical modifications reserved;