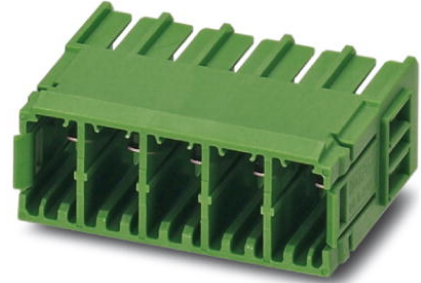


## PC 5/10-G-7,62

Order No.: 1720547

The figure shows a 5-pos. version of the product

<http://eshop.phoenixcontact.de/phoenix/treeViewClick.do?UID=1720547>Header, Nominal current: 41 A, Nom. voltage: 500 V, Pitch: 7.62 mm,  
Number of positions: 10, Color: green, Assembly: Soldering

### Commercial data

EAN	4046356113731
Pack	50 pcs.
Customs tariff	85366990
Weight/Piece	0.0366 KG
Catalog page information	Page 390 (CC-2009)

### Product notes

WEEE/RoHS-compliant since:  
12/05/2005

<http://www.download.phoenixcontact.com>  
Please note that the data given here has been taken from the online catalog. For comprehensive information and data, please refer to the user documentation. The General Terms and Conditions of Use apply to Internet downloads.

### Technical data

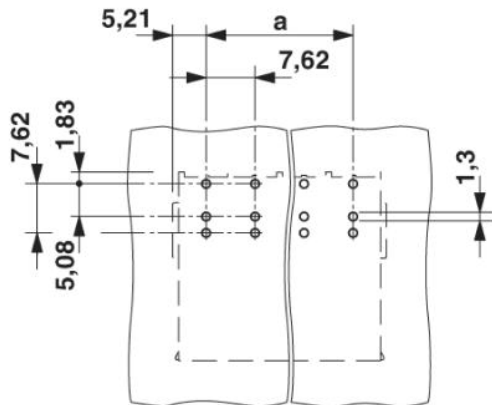
#### Dimensions / positions

Pitch	7.62 mm
Dimension a	68.58 mm
Number of positions	10
Pin dimensions	0,8 x 1,0
Pin spacing	7.62 mm

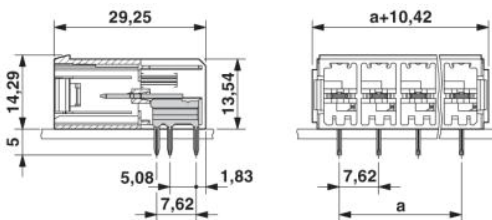
Hole diameter	1.3 mm
<b>Technical data</b>	
Insulating material group	I
Rated surge voltage (III/3)	6 kV
Rated surge voltage (III/2)	6 kV
Rated surge voltage (II/2)	6 kV
Rated voltage (III/2)	630 V
Rated voltage (II/2)	800 V
Nominal current $I_N$	41 A
Nominal voltage $U_N$	500 V
Maximum load current	41 A
Insulating material	PA
Inflammability class acc. to UL 94	V0

**Drawings**

Drilling diagram



Dimensioned drawing



**Address**

PHOENIX CONTACT GmbH & Co. KG  
Flachsmarktstr. 8  
32825 Blomberg, Germany  
Phone +49 5235 3 00  
Fax +49 5235 3 41200  
<http://www.phoenixcontact.com>



© 2009 Phoenix Contact  
Technical modifications reserved;