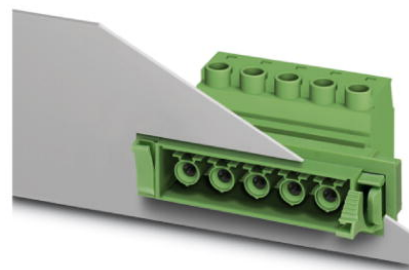


## DFK-IPC 16/ 2-ST-10,16

Order No.: 1703690

The figure shows a 5-pos. version of the product

<http://eshop.phoenixcontact.de/phoenix/treeViewClick.do?UID=1703690>

Plug component, Nominal current: 76 A, Nom. voltage: 1000 V,  
Pitch: 10.16 mm, Number of positions: 2, Connection type: Screw  
connection, Color: green

| Commercial data          |                    |
|--------------------------|--------------------|
| EAN                      | 4017918994532      |
| Pack                     | 10 pcs.            |
| Customs tariff           | 85366990           |
| Weight/Piece             | 0.02598 KG         |
| Catalog page information | Page 438 (CC-2009) |

### Product notes

WEEE/RoHS-compliant since:  
11/27/2004



<http://www.download.phoenixcontact.com>  
Please note that the data given here has been taken from the online catalog. For comprehensive information and data, please refer to the user documentation. The General Terms and Conditions of Use apply to Internet downloads.

| Technical data                |          |
|-------------------------------|----------|
| <b>Dimensions / positions</b> |          |
| Pitch                         | 10.16 mm |
| Dimension a                   | 10.16 mm |
| Number of positions           | 2        |
| Screw thread                  | M4       |

|                        |        |
|------------------------|--------|
| Tightening torque, min | 1.7 Nm |
| Tightening torque max  | 1.8 Nm |

**Technical data**

|                                    |                    |
|------------------------------------|--------------------|
| Insulating material group          | I                  |
| Rated surge voltage (III/3)        | 8 kV               |
| Rated surge voltage (III/2)        | 8 kV               |
| Rated surge voltage (II/2)         | 6 kV               |
| Rated voltage (III/2)              | 1000 V             |
| Rated voltage (II/2)               | 1000 V             |
| Connection in acc. with standard   | EN-VDE             |
| Nominal current $I_N$              | 76 A               |
| Nominal voltage $U_N$              | 1000 V             |
| Nominal cross section              | 16 mm <sup>2</sup> |
| Maximum load current               | 76 A               |
| Insulating material                | PA                 |
| Inflammability class acc. to UL 94 | V0                 |
| Internal cylindrical gage          | A6                 |
| Stripping length                   | 14 mm              |

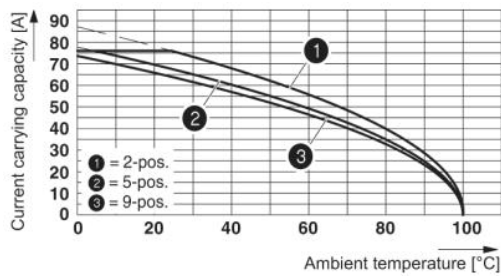
**Connection data**

|  |  |
|--|--|
| Conductor cross section solid min.   | 0.75 mm <sup>2</sup>                                     |
| Conductor cross section solid max.   | 16 mm <sup>2</sup>                                       |
| Conductor cross section stranded min.                                      | 0.75 mm <sup>2</sup>                                     |
| Conductor cross section stranded max.                                      | 16 mm <sup>2</sup>                                       |
| Conductor cross section stranded, with ferrule without plastic sleeve min. | 0.5 mm <sup>2</sup>                                      |
| Conductor cross section stranded, with ferrule without plastic sleeve max. | 16 mm <sup>2</sup> Only in connection with CRIMPFOX 16 S |
| Conductor cross section stranded, with ferrule with plastic sleeve min.    | 0.5 mm <sup>2</sup>                                      |
| Conductor cross section stranded, with ferrule with plastic sleeve max.    | 16 mm <sup>2</sup> Only in connection with CRIMPFOX 16 S |
| Conductor cross section AWG/kcmil min.                                     | 18   |
| Conductor cross section AWG/kcmil max                                      | 6  |
| 2 conductors with same cross section, solid min.                           | 0.75 mm <sup>2</sup>                                     |
| 2 conductors with same cross section, solid max.                           | 6 mm <sup>2</sup>  |

|   |                      |
|---|----------------------|
| 2 conductors with same cross section, stranded min.                                     | 0.75 mm <sup>2</sup> |
| 2 conductors with same cross section, stranded max.                                     | 6 mm <sup>2</sup>    |
| 2 conductors with same cross section, stranded, ferrules without plastic sleeve, min.   | 0.5 mm <sup>2</sup>  |
| 2 conductors with same cross section, stranded, ferrules without plastic sleeve, max.   | 4 mm <sup>2</sup>    |
| 2 conductors with same cross section, stranded, TWIN ferrules with plastic sleeve, min. | 0.5 mm <sup>2</sup>  |
| 2 conductors with same cross section, stranded, TWIN ferrules with plastic sleeve, max. | 6 mm <sup>2</sup>    |

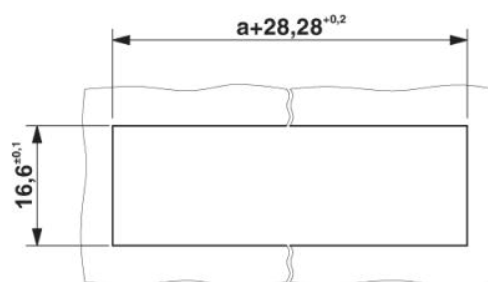
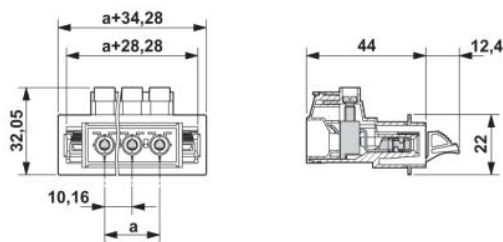
**Drawings**

Diagram



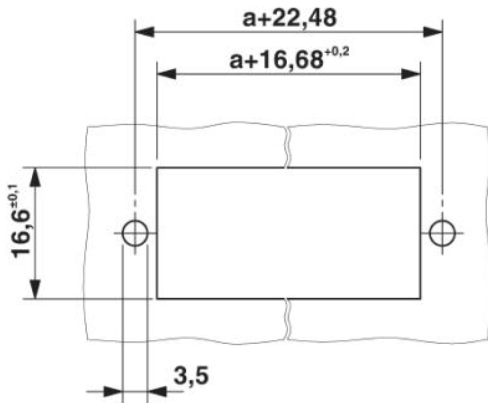
Derating curve for: IPC 16/...-ST-10.16 with DFK-IPC 16/...-ST-10.16

Dimensioned drawing



Sheet metal cutout for snap-lock device for "ST" versions

Sheet metal cutout for screw connection.



**Address**

PHOENIX CONTACT GmbH & Co. KG  
Flachsmarktstr. 8  
32825 Blomberg, Germany  
Phone +49 5235 3 00  
Fax +49 5235 3 41200  
<http://www.phoenixcontact.com>



© 2009 Phoenix Contact  
Technical modifications reserved;