

DFK-PCV 6-16/ 8-G-10,16

Order No.: 1702154

The figure shows a 5-pos. version of the product

<http://eshop.phoenixcontact.de/phoenix/treeViewClick.do?UID=1702154>

Header, Nominal current: 76 A, Nom. voltage: 1000 V, Pitch: 10.16 mm, Number of positions: 8, Assembly: Soldering

Commercial data

| | |
|--------------------------|--------------------|
| EAN | 4046356031066 |
| Pack | 10 pcs. |
| Customs tariff | 85366990 |
| Weight/Piece | 0.0458 KG |
| Catalog page information | Page 431 (CC-2009) |

Product notes

WEEE/RoHS-compliant since:
11/25/2004

<http://www.download.phoenixcontact.com>
Please note that the data given here has been taken from the online catalog. For comprehensive information and data, please refer to the user documentation. The General Terms and Conditions of Use apply to Internet downloads.

Technical data

Dimensions / positions

| | |
|---------------------|--------------|
| Pitch | 10.16 mm |
| Dimension a | 71.12 mm |
| Number of positions | 8 |
| Pin dimensions | 1,0 x 1,2 mm |
| Pin spacing | 10.16 mm |

| | |
|----------------------------------|--------|
| Hole diameter | 1.7 mm |
| Technical data | |
| Insulating material group | I |
| Rated surge voltage (III/3) | 8 kV |
| Rated surge voltage (III/2) | 8 kV |
| Rated surge voltage (II/2) | 6 kV |
| Rated voltage (III/2) | 1000 V |
| Rated voltage (II/2) | 1000 V |
| Connection in acc. with standard | EN-VDE |
| Nominal current I_N | 76 A |
| Nominal voltage U_N | 1000 V |
| Maximum load current | 76 A |
| Insulating material | PA |

Accessories

| Item | Designation | Description |
|----------------|--------------|---|
| General | | |
| 1970016 | CS-IPC 16/ 6 | Coding pin, serves to ensure correct polarization on the PCB during manual mounting |
| 1705449 | DFK-PC 16-SS | |
| 1205150 | SZK PH1 | Screwdriver, suitable for Phillips screws Phillips-Recess, size: 1 |

Plug/Adapter

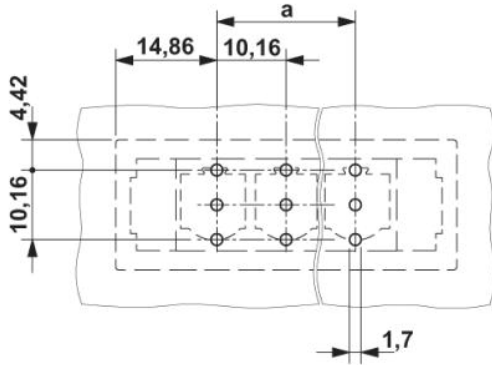
| | | |
|---------|----------|--|
| 1600027 | CP-HCC 4 | Keying profile for contact inserts, Color: red |
|---------|----------|--|

Tools

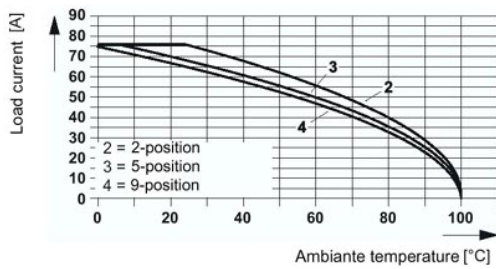
| | | |
|---------|-------------|---|
| 1205040 | SZS 0,6X2,5 | Screwdriver, bladed, matches SFL screw socket strips, blade: 0.6 x 2.5 mm |
|---------|-------------|---|

Drawings

Drilling diagram

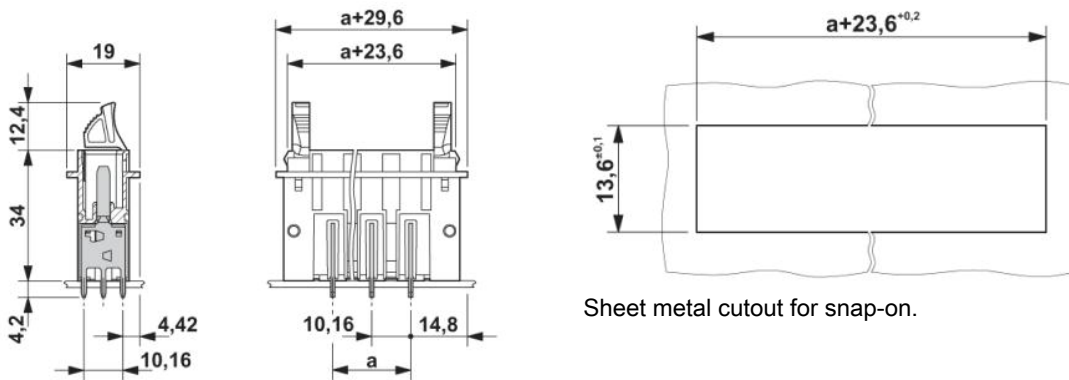


Diagram



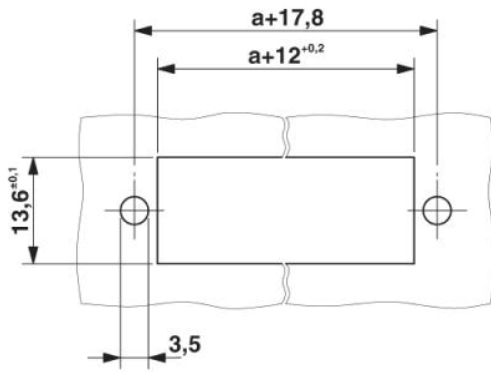
The illustration shows the derating curve for plugs DFK-PC(V) 6-16/...-G(F)(U)-(SH)-10,16 in combination with header PC 16/....-ST(F)-(SH)-10,16.

Dimensioned drawing



Sheet metal cutout for snap-on.

Sheet metal cutout for screw connection.



Address

PHOENIX CONTACT GmbH & Co. KG
Flachsmarktstr. 8
32825 Blomberg, Germany
Phone +49 5235 3 00
Fax +49 5235 3 41200
<http://www.phoenixcontact.com>



© 2009 Phoenix Contact
Technical modifications reserved;