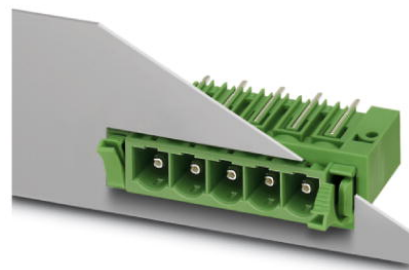


DFK-PCV 6-16/ 5-G-10,16

Order No.: 1702125



<http://eshop.phoenixcontact.de/phoenix/treeViewClick.do?UID=1702125>

Header, Nominal current: 76 A, Nom. voltage: 1000 V, Pitch: 10.16 mm, Number of positions: 5, Assembly: Soldering

Commercial data

EAN	4046356031035
Pack	10 pcs.
Customs tariff	85366990
Weight/Piece	0.03046 KG
Catalog page information	Page 431 (CC-2009)

Product notes

WEEE/RoHS-compliant since:
11/25/2004



<http://www.download.phoenixcontact.com>
Please note that the data given here has been taken from the online catalog. For comprehensive information and data, please refer to the user documentation. The General Terms and Conditions of Use apply to Internet downloads.

Technical data

Dimensions / positions

Pitch	10.16 mm
Dimension a	40.64 mm
Number of positions	5
Pin dimensions	1,0 x 1,2 mm
Pin spacing	10.16 mm

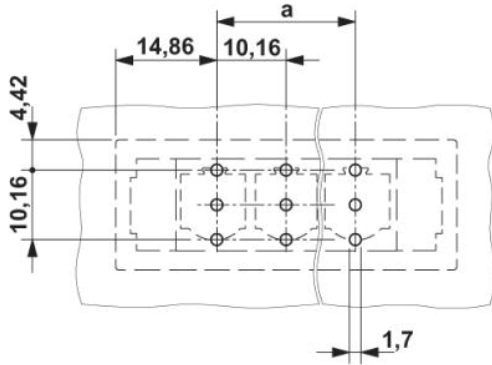
Hole diameter	1.7 mm
Technical data	
Insulating material group	I
Rated surge voltage (III/3)	8 kV
Rated surge voltage (III/2)	8 kV
Rated surge voltage (II/2)	6 kV
Rated voltage (III/2)	1000 V
Rated voltage (II/2)	1000 V
Connection in acc. with standard	EN-VDE
Nominal current I_N	76 A
Nominal voltage U_N	1000 V
Maximum load current	76 A
Insulating material	PA

Accessories

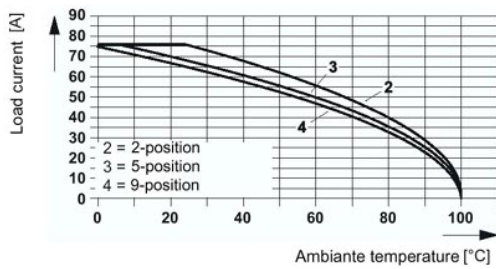
Item	Designation	Description
General		
1970016	CS-IPC 16/ 6	Coding pin, serves to ensure correct polarization on the PCB during manual mounting
1705449	DFK-PC 16-SS	
1205150	SZK PH1	Screwdriver, suitable for Phillips screws Phillips-Recess, size: 1
Plug/Adapter		
1600027	CP-HCC 4	Keying profile for contact inserts, Color: red
Tools		
1205040	SZS 0,6X2,5	Screwdriver, bladed, matches SFL screw socket strips, blade: 0.6 x 2.5 mm

Drawings

Drilling diagram

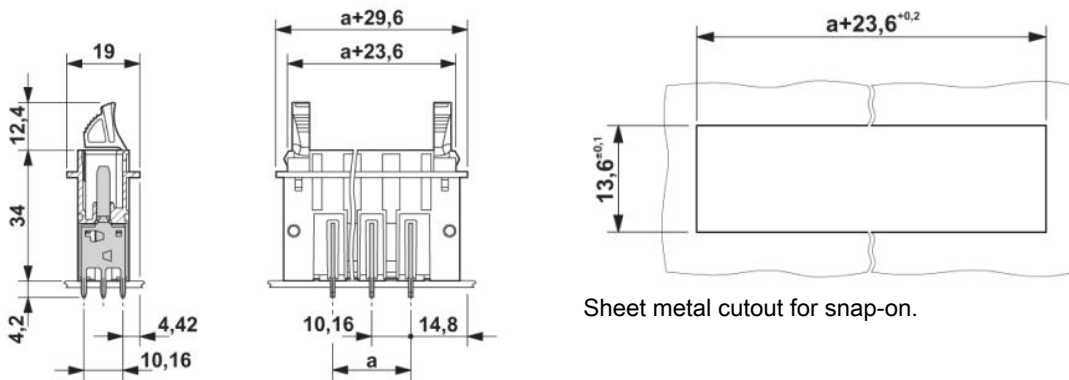


Diagram



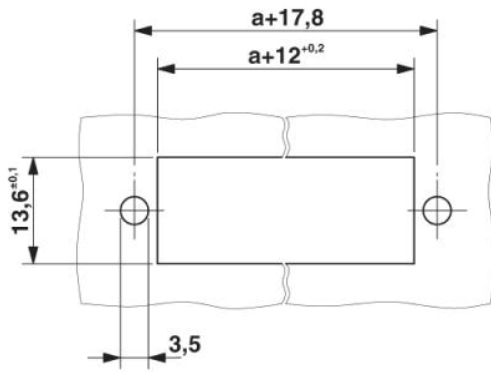
The illustration shows the derating curve for plugs DFK-PC(V) 6-16/...-G(F)(U)-(SH)-10,16 in combination with header PC 16/....-ST(F)-(SH)-10,16.

Dimensioned drawing



Sheet metal cutout for snap-on.

Sheet metal cutout for screw connection.



Address

PHOENIX CONTACT GmbH & Co. KG
Flachsmarktstr. 8
32825 Blomberg, Germany
Phone +49 5235 3 00
Fax +49 5235 3 41200
<http://www.phoenixcontact.com>



© 2009 Phoenix Contact
Technical modifications reserved;