

SACC-E-M12FS-5CON-PG9/0,5 V2A

Order No.: 1699863

<http://eshop.phoenixcontact.de/phoenix/treeViewClick.do?UID=1699863>

Sensor/Actuator flush-type socket, 5-pos, M12, A-coded, front/screw mounting with PG9 thread, with 0.5 m TPE litz wire, 5 x 0.25 mm², high-grade steel version

Commercial data

EAN	4017918571931
Pack	1 pcs.
Customs tariff	85366990
Weight/Piece	0.0222 KG
Catalog page information	Page 144 (PC-2009)

Product notes

WEEE/RoHS-compliant since:
02/27/2006



<http://www.download.phoenixcontact.com>
Please note that the data given here has been taken from the online catalog. For comprehensive information and data, please refer to the user documentation. The General Terms and Conditions of Use apply to Internet downloads.

Technical data**General data**

Nominal current I_N	4 A
Nominal voltage U_N	60 V
Number of positions	5
Volume resistance	$\leq 3 \text{ m}\Omega$

Insulation resistance	> 100 MΩ
Length of cable	0.5 m
Ambient temperature (operation)	-25 °C ... 85 °C (plug/socket)
	-25 °C ... 90 °C (cable, fixed installation)

General characteristics

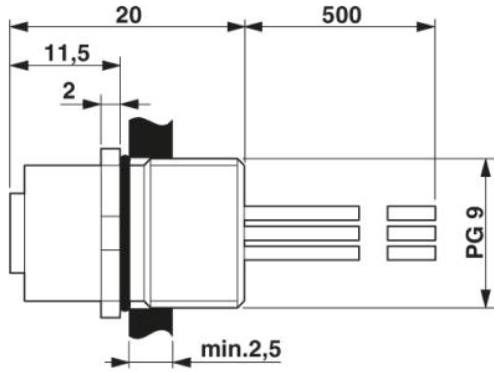
Coding	A - standard
Inflammability class acc. to UL 94	V0
Surge voltage category	II
Pollution degree	3
Degree of protection	IP67/IP69K
Contact material	CuZn
Contact surface material	Au
Contact carrier material	PA66 GF
Material, knurls	High-grade steel
Sealing material	NBR
Mounting type	Front mounting, Pg9 thread
Type of connection	Individual wires
Status display	No

Conductor data

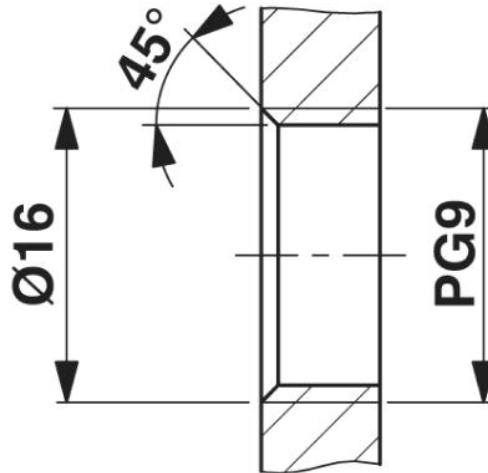
Cable type	TPE litz wire
Conductor cross section	0.25 mm ²
AWG signal line	24
Conductor structure, signal line	14x 0.15 mm
Core diameter including insulation	1.15 mm ±0.07 mm
Thickness, insulation	0.21 mm
Wire colors	Black, brown, blue, white, gray
Insulation resistance	≥ 20 MΩ*km
Conductor resistance	≤ 80 Ω/km
Nominal voltage, conductor	300 V
Test voltage, conductor	2000 V AC
Material conductor insulation	TPE
Conductor material	Tin-plated Cu litz wires

Drawings

Dimensioned drawing

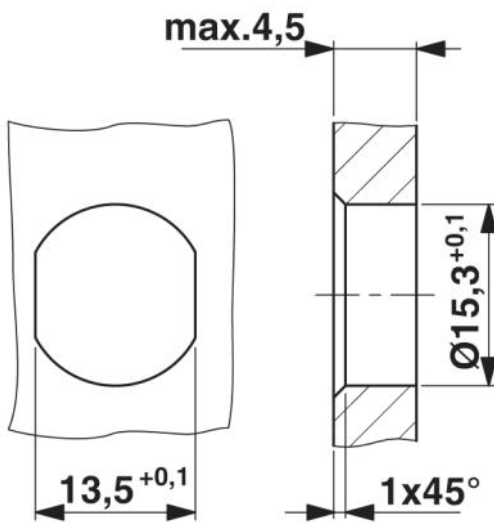


M12 flush-type connector

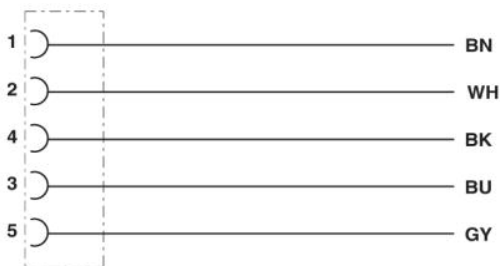


Housing cutout for Pg9 fastening thread, mounting panel with thread

Housing cutout for Pg9 fastening thread, mounting panel with feed-through hole (alternatively with surface as protection against rotation)



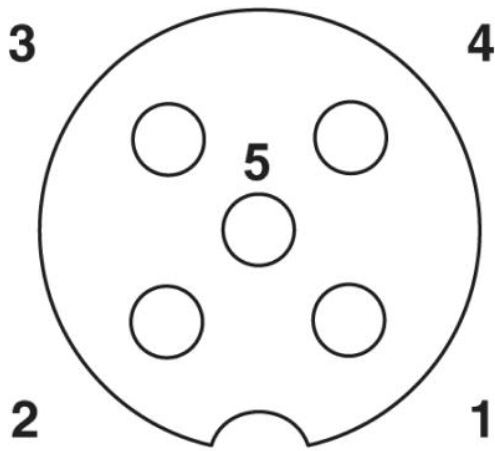
Circuit diagram



Contact assignment of the M12 plug and the M12 socket

Schematic diagram

Pin assignment M12 socket, 5-pos., A-coded, socket side view



Address

PHOENIX CONTACT GmbH & Co. KG
Flachsmarktstr. 8
32825 Blomberg, Germany
Phone +49 5235 3 00
Fax +49 5235 3 41200
<http://www.phoenixcontact.com>



© 2009 Phoenix Contact
Technical modifications reserved;