

VS-15-GC-ST/ST

Order No.: 1652677



<http://eshop.phoenixcontact.de/phoenix/treeViewClick.do?UID=1652677>

D-SUB contact insert, shell size 2, with 15 signal contacts, contact type pin, gender changer, fixing with 4-40 UNC thread

Commercial data	
EAN	4017918952815
Pack	10 pcs.
Customs tariff	85369010
Weight/Piece	0.01108 KG
Catalog page information	Page 321 (PC-2009)

Product notes

WEEE/RoHS-compliant since:
06/22/2006



<http://www.download.phoenixcontact.com>
Please note that the data given here has been taken from the online catalog. For comprehensive information and data, please refer to the user documentation. The General Terms and Conditions of Use apply to Internet downloads.

Technical data

Mechanical characteristics	
Number of positions	15
Insertion/withdrawal cycles	≥ 200
Type of connection	Gender changer
Ambient temperature (operation)	-55 °C ... 125 °C
Material data	
Housing material	Steel, yellow chromated
Contact carrier material	Polyester GF

Contact material	Copper alloy
Contact surface material	Hard gold-plated over nickel
Inflammability class acc. to UL 94	V0

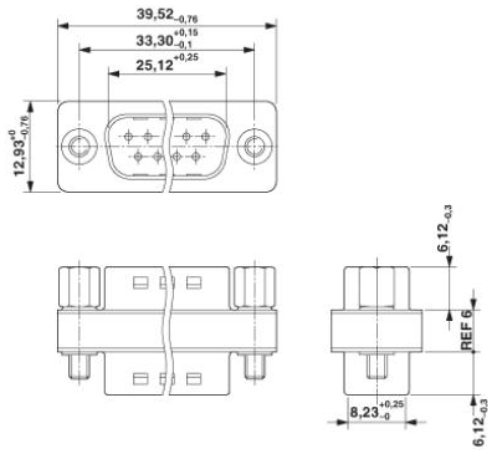
Electrical characteristics

Rated voltage (III/3)	125 V
Rated surge voltage	1 kV
Rated current	5 A

Drawings

Dimensioned drawing

Gender changer



Address

PHOENIX CONTACT GmbH & Co. KG
Flachsmarktstr. 8
32825 Blomberg, Germany
Phone +49 5235 3 00
Fax +49 5235 3 41200
<http://www.phoenixcontact.com>



© 2009 Phoenix Contact
Technical modifications reserved;