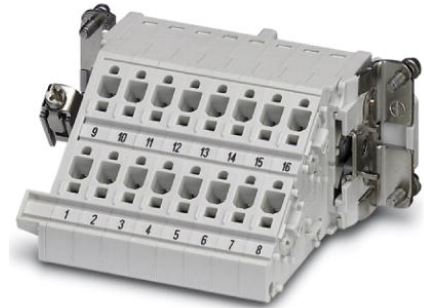


HC-B 16-A-DT-PER-F

Order No.: 1648458



<http://eshop.phoenixcontact.de/phoenix/treeViewClick.do?UID=1648458>

HEAVYCON terminal adapter female insert, B16 series, 16-pos., left PE connection for the right side of the control cabinet, push-in connection

| Commercial data | |
|--------------------------|--------------------|
| EAN | 4046356092173 |
| Pack | 10 pcs. |
| Customs tariff | 85366990 |
| Weight/Piece | 0.13856 KG |
| Catalog page information | Page 469 (PC-2009) |

Product notes

WEEE/RoHS-compliant since:
09/05/2005



<http://www.download.phoenixcontact.com>
Please note that the data given here has been taken from the online catalog. For comprehensive information and data, please refer to the user documentation. The General Terms and Conditions of Use apply to Internet downloads.

Accessories

| Item | Designation | Description |
|-----------------|-------------|---|
| Assembly | | |
| 1775240 | HC-KA-FE | Foot element, for mounting on DIN rail NS 32, DIN rail NS 35/7.5 or DIN rail NS 35/15, can be inserted between basic and side element |

| | | |
|---------|--------|---|
| 1660083 | HC-VSH | Locking screw barrel, for a firm connection of contact inserts and DIN-rail mountable terminal adapters |
|---------|--------|---|

General

| | | |
|---------|--------------|---|
| 1644326 | HC-B-3PE | PE multiplier, for three PE connections, for HC-B (besides HC-B..E..ZZ) / HC-BB / HC-DD / HC-D40 / HC-D64 contact inserts |
| 1604997 | HC-B-PES | PE screw, for contact inserts HC-B / HC-BB / HC-DD / HC-D40 / HC-D64 |
| 1772722 | HC-CB | Coding pin, prevents mismatching of up to six plug connectors with an identical number of positions |
| 1676860 | HC-CBU | Keying socket for coding up to 16 plug connectors |
| 1676857 | HC-CST | Keying peg for coding up to 16 plug connectors |
| 0810779 | ZBF-U:SO/CMS | Zack marker strips off the roll, flat, printed according to customer requirements |

Plug/Adapter

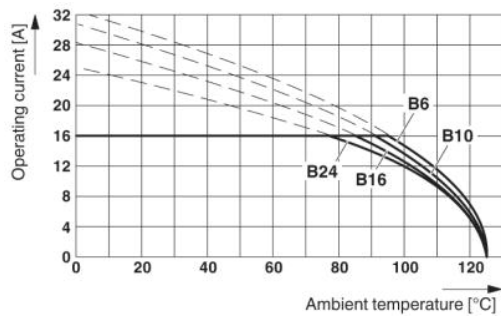
| | | |
|---------|-------|--|
| 1686478 | CP-HC | Keying profile, 4-section, for pushing into the keying grooves |
|---------|-------|--|

Tools

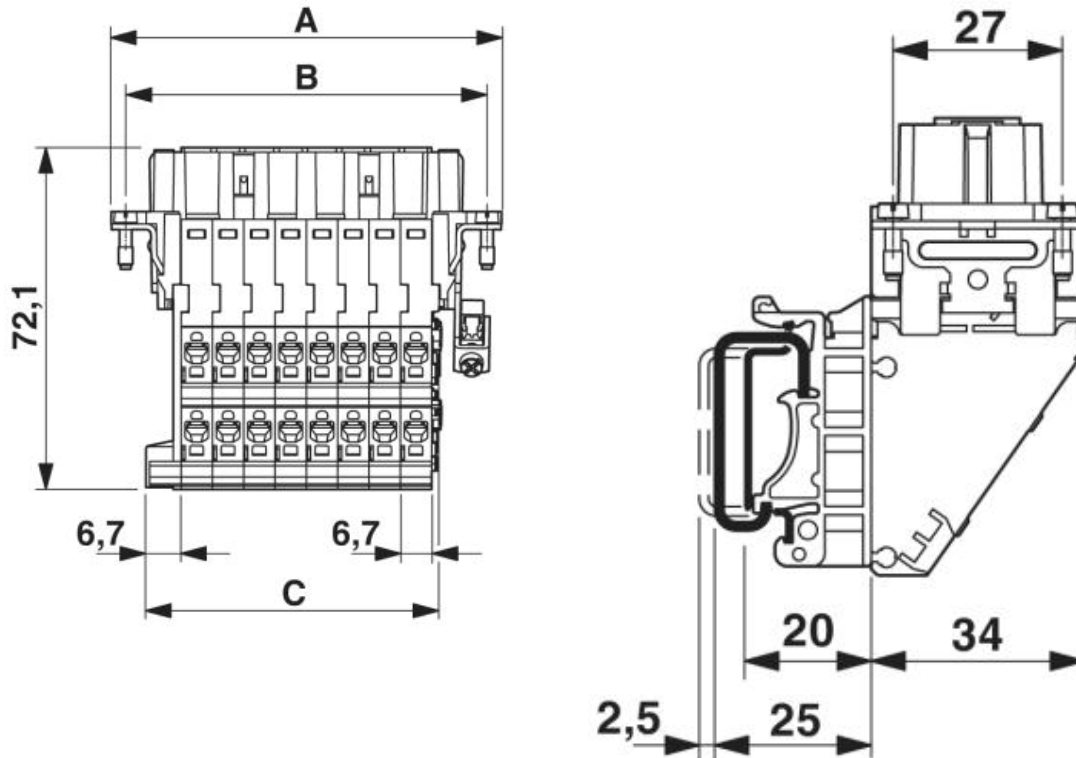
| | | |
|---------|---------------|---|
| 1204504 | SZF 0-0,4X2,5 | Screwdriver, blade: 0.4 x 2.5 x 100 mm, length 180 mm |
|---------|---------------|---|

Drawings

Diagram



Dimensioned drawing



Address

PHOENIX CONTACT GmbH & Co. KG
Flachsmarktstr. 8
32825 Blomberg, Germany
Phone +49 5235 3 00
Fax +49 5235 3 41200
<http://www.phoenixcontact.com>



© 2009 Phoenix Contact
Technical modifications reserved;