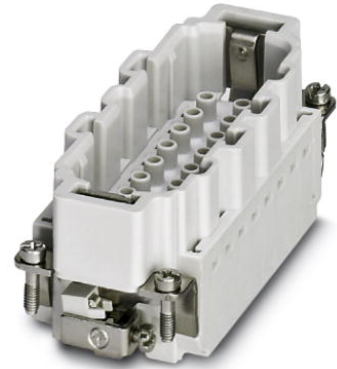


HC-B 16-I-CT-M

Order No.: 1648270

<http://eshop.phoenixcontact.de/phoenix/treeViewClick.do?UID=1648270>

HEAVYCON male insert, B16 series, 16-pos., for crimp contacts

Commercial data

| | |
|--------------------------|--------------------|
| EAN | 4046356092401 |
| Pack | 10 pcs. |
| Customs tariff | 85366990 |
| Weight/Piece | 0.07224 KG |
| Catalog page information | Page 429 (PC-2009) |

Product notes

WEEE/RoHS-compliant since:
01/10/2008

<http://www.download.phoenixcontact.com>
Please note that the data given here has been taken from the online catalog. For comprehensive information and data, please refer to the user documentation. The General Terms and Conditions of Use apply to Internet downloads.

Technical data

General data

| | |
|---------------------------------|--|
| Note | For HEAVYCON ADVANCE and HEAVYCON housing of B16 type, crimp contacts CK 2,5-ED (crimp contacts not included in the scope of supply). Plug-in connections may only be operated only when there is no load/voltage. |
| Connection method | Crimp connection |
| Ambient temperature (operation) | -40 °C ... 125 °C (including heating up of contacts) |

| | |
|---|--|
| Pollution degree | 3 |
| Surge voltage category | III |
| Degree of protection | IP20 |
| Constructional and testing regulations | DIN EN 61984 DIN EN 60664 IEC 60352 |
| Number of positions | 16 |
| Insertion/withdrawal cycles | ≥ 500 |
| Design | B16 |
| Connection in acc. with standard | IEC / EN |
| Conductor cross section | 0.5 mm ² ... 4 mm ² |
| Connection cross section AWG | 20 ... 12 |
| Stripping length of the individual wire | 7.5 mm |
| Assembly instructions | Coding also using the CP-HC (1686478) coding profiles. HC-B6../ HC-B10..for two coding profiles. HC-B16../ HC-B24..for four coding profiles. |
| Connection | Connectors may be plugged in only when there is no load/ voltage. |

Material data

| | |
|------------------------------------|--------------|
| Inflammability class acc. to UL 94 | V0 |
| Contact material | Copper alloy |
| Contact surface material | Ag |
| Contact carrier material | PA |

Electrical characteristics

| | |
|-----------------------|-------|
| Rated voltage (III/3) | 500 V |
| Rated surge voltage | 6 kV |
| Rated current | 16 A |

Accessories

| Item | Designation | Description |
|----------------|---------------------|--|
| General | | |
| 1586138 | HC-B 16-ANDOCK | Docking frame for racks, for contact inserts of B16 type, with four M5 flat headed screws, rack balance x/y axis +- 1.5 mm |
| 1660449 | HC-B 24-ADP-B 16-GY | HEAVYCON adapter plate, type B24 on B16, for panel cutouts of type B24, gray |

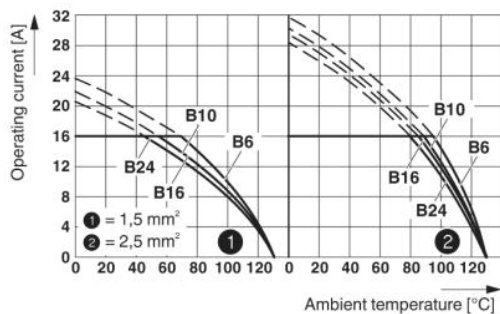
| | | |
|---------|--------------------|---|
| 1644326 | HC-B-3PE | PE multiplier, for three PE connections, for HC-B (besides HC-B..E..ZZ) / HC-BB / HC-DD / HC-D40 / HC-D64 contact inserts |
| 1604997 | HC-B-PES | PE screw, for contact inserts HC-B / HC-BB / HC-DD / HC-D40 / HC-D64 |
| 1685327 | HC-B-ZG | Strain relief clamps contact inserts of series: B-, BB-, D 40, D 64, DD and HV, straight cable exit |
| 1685330 | HC-B-ZS | Strain relief clamps contact inserts of series: B-, BB-, D 40, D 64, DD and HV, lateral cable exit |
| 1772722 | HC-CB | Coding pin, prevents mismatching of up to six plug connectors with an identical number of positions |
| 1676860 | HC-CBU | Keying socket for coding up to 16 plug connectors |
| 1676857 | HC-CST | Keying peg for coding up to 16 plug connectors |
| 1660973 | HC-SMP 125-B16-AMQ | HEAVYCON connector assembly frame with panel mounting base with double locking latch, for contact inserts of type B16 |
| 1687972 | HC-SMR-B16 | HEAVYCON connector assembly frame, for contact inserts of type B16 |

Plug/Adapter

| | | |
|---------|-------|--|
| 1686478 | CP-HC | Keying profile, 4-section, for pushing into the keying grooves |
|---------|-------|--|

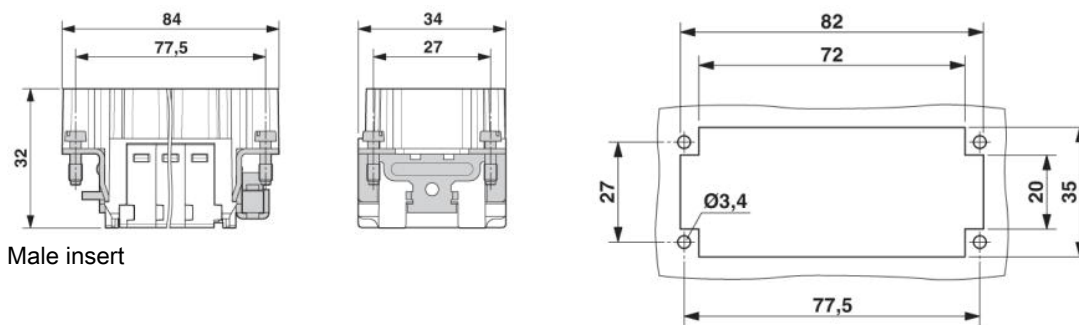
Drawings

Diagram



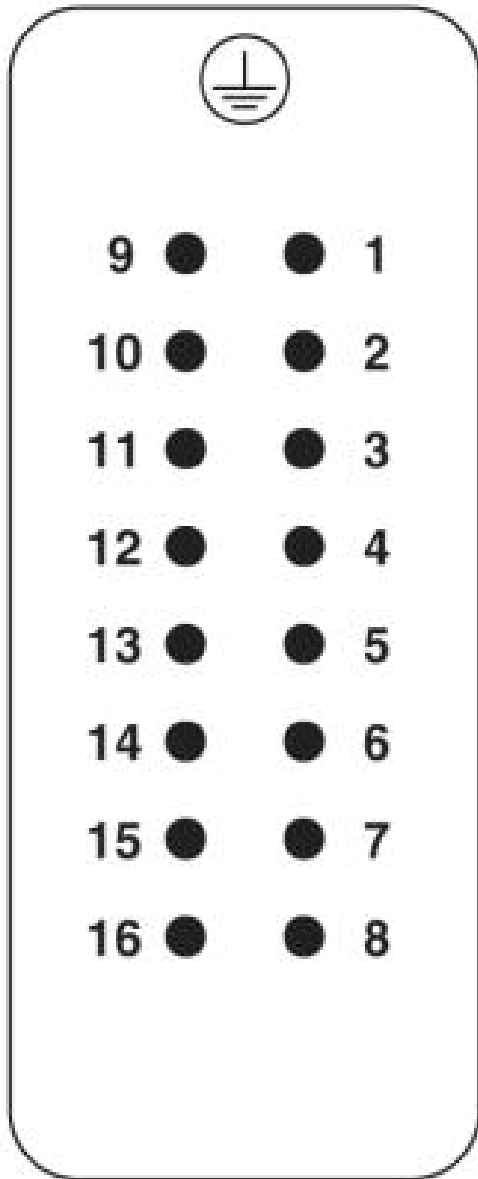
Derating diagram

Dimensioned drawing



Male insert

Schematic diagram



Address

PHOENIX CONTACT GmbH & Co. KG
Flachsmarktstr. 8
32825 Blomberg, Germany
Phone +49 5235 3 00
Fax +49 5235 3 41200
<http://www.phoenixcontact.com>



© 2009 Phoenix Contact
Technical modifications reserved;