

# HC-B 24-A-UT-PER-F

Order No.: 1648102

<http://eshop.phoenixcontact.de/phoenix/treeViewClick.do?UID=1648102>

HEAVYCON terminal adapter female insert, B24 series, 24-pos., left protective conductor connection for the right side of the control cabinet, screw connection.

| Commercial data          |                    |
|--------------------------|--------------------|
| EAN                      | 4017918969752      |
| Pack                     | 5 pcs.             |
| Customs tariff           | 85366990           |
| Weight/Piece             | 0.21281 KG         |
| Catalog page information | Page 467 (PC-2009) |

**Product notes**WEEE/RoHS-compliant since:  
01/10/2008

<http://www.download.phoenixcontact.com>  
Please note that the data given here has been taken from the online catalog. For comprehensive information and data, please refer to the user documentation. The General Terms and Conditions of Use apply to Internet downloads.

| Technical data                    |   |
|-----------------------------------|---|
| <b>Electrical characteristics</b> |   |
| Note                              | For HEAVYCON ADVANCE panel mounting flange and HEAVYCON panel mounting base of type B24. Plug-in connections may only be operated only when there is no load/voltage. |
| Number of positions               | 24  |

|                                  |          |
|----------------------------------|----------|
| Connection in acc. with standard | IEC / EN |
| Rated voltage (III/3)            | 500 V    |
| Rated surge voltage              | 6 kV     |
| Rated current                    | 16 A     |

**Mechanical characteristics**

|   |   |
|---|---|
| Design                                  | B24   |
| Screw thread                            | M3  |
| Connection method                       | Screw connection                            |
| Tightening torque                       | 0.5 Nm ... 0.8 Nm                           |
| Stripping length of the individual wire | 12 mm                                       |
| Conductor cross section                 | 0.5 mm <sup>2</sup> ... 2.5 mm <sup>2</sup> |
| Connection cross section AWG            | 20 ... 14                                   |

**General characteristics**

|                                    |  |
|------------------------------------|--|
| Contact material                   | Copper alloy   |
| Contact surface material           | Ag   |
| Contact carrier material           | PA   |
| Pollution degree                   | 3  |
| Surge voltage category             | III  |
| Inflammability class acc. to UL 94 | V0   |
| Connection in acc. with standard   | IEC / EN   |
| Ambient temperature (operation)    | -40 °C ... 125 °C  |
| Assembly instructions              | Coding also using the CP-HC (1686478) coding profiles. HC-B6../ HC-B10..for two coding profiles. HC-B16../ HC-B24..for four coding profiles. |

**Accessories**

| Item            | Designation | Description   |
|-----------------|-------------|---|
| <b>Assembly</b> |             |   |
| 1775240         | HC-KA-FE    | Foot element, for mounting on DIN rail NS 32, DIN rail NS 35/7.5 or DIN rail NS 35/15, can be inserted between basic and side element |
| 1660083         | HC-VSH      | Locking screw barrel, for a firm connection of contact inserts and DIN-rail mountable terminal adapters                               |

**General**

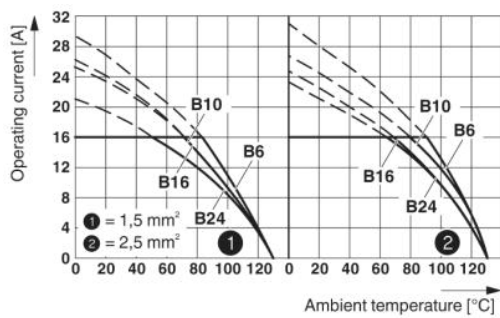
|         |          |   |
|---------|----------|---|
| 1644326 | HC-B-3PE | PE multiplier, for three PE connections, for HC-B (besides HC-B..E..ZZ) / HC-BB / HC-DD / HC-D40 / HC-D64 contact inserts |
| 1604997 | HC-B-PES | PE screw, for contact inserts HC-B / HC-BB / HC-DD / HC-D40 / HC-D64  |
| 1772722 | HC-CB    | Coding pin, prevents mismatching of up to six plug connectors with an identical number of positions                       |
| 1676860 | HC-CBU   | Keying socket for coding up to 16 plug connectors   |
| 1676857 | HC-CST   | Keying peg for coding up to 16 plug connectors  |

**Plug/Adapter**

|         |       |  |
|---------|-------|--|
| 1686478 | CP-HC | Keying profile, 4-section, for pushing into the keying grooves |
|---------|-------|--|

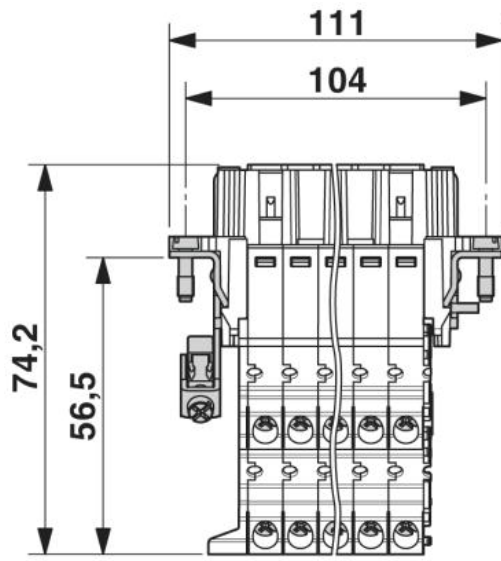
**Drawings**

Diagram

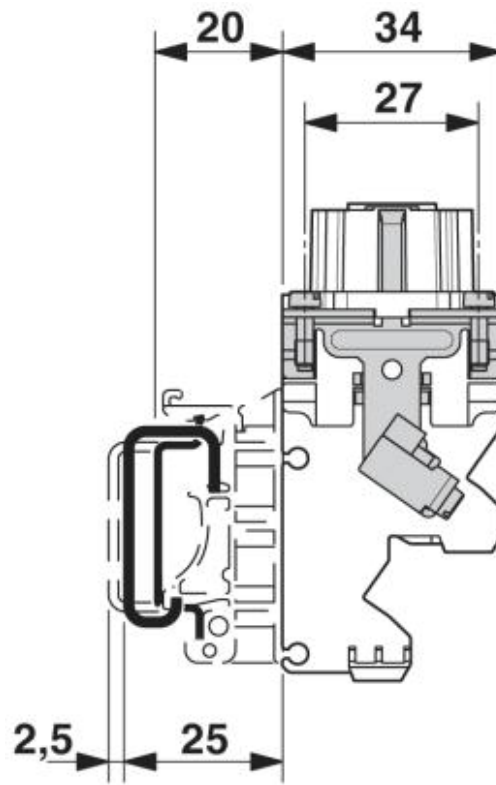


Derating diagram

Dimensioned drawing



Connection side



Side view

**Address**

PHOENIX CONTACT GmbH & Co. KG  
Flachsmarktstr. 8  
32825 Blomberg, Germany  
Phone +49 5235 3 00  
Fax +49 5235 3 41200  
<http://www.phoenixcontact.com>



© 2009 Phoenix Contact  
Technical modifications reserved;