

HC-A3-STQ1,5-KML-G-PA

Order No.: 1641604

<http://eshop.phoenixcontact.de/phoenix/treeViewClick.do?UID=1641604>

HEAVYCON QUICKON coupling housing A3, for single locking latch, 3-pos., with PE connection, plug , QUICKON connection, straight cable outlet

Commercial data

EAN	4017918890001
Pack	1 pcs.
Customs tariff	85369010
Weight/Piece	0.0352 KG
Catalog page information	Page 421 (PC-2009)

Product notes

WEEE/RoHS-compliant since:
03/28/2006



<http://www.download.phoenixcontact.com>
Please note that the data given here has been taken from the online catalog. For comprehensive information and data, please refer to the user documentation. The General Terms and Conditions of Use apply to Internet downloads.

Technical data

General characteristics

Connection	If the conductor is reconnected, it must be cut off above the last contact point. QUICKON components may only be operated when under no load.
Type	Male

Design	A3
Housing type	Coupling housings
Locking type	With single locking latch
Number of positions	3
Wrench size, union nut	19 mm
Tightening torque, union nut	3 Nm
Conductor cross section stranded min.	0.75 mm ²
Conductor cross section stranded max.	1.5 mm ²
Conductor cross section AWG/kcmil min.	18
Conductor cross section AWG/kcmil max	16

Conductor data

Structure of individual litz in acc. with VDE 0295 / smallest wire diameter	VDE 0295 Cl.2-5, min. wire diameter 0.2 mm
Wire insulation material	PVC/PE
Wire diameter including insulation	1.8 mm ... 3 mm
External cable diameter	6 mm ... 12 mm

Environmental conditions

Degree of protection	IP65
Ambient temperature (operation)	-25 °C ... 80 °C
Ambient temperature (storage/transport)	-40 °C ... 70 °C
Temperature when conductor connected	-5 °C ... 50 °C (specifications of the cable manufacturer must also be observed)

Electrical characteristics

Rated current	10 A
Note on the rated voltage (III/3)	250 / 400 V
Rated voltage (III/2)	320 V
Rated voltage (II/2)	630 V
Rated surge voltage (III/3)	4 kV
Rated surge voltage (III/2)	4 kV
Rated surge voltage (II/2)	4 kV

Mechanical characteristics

Insertion/withdrawal cycles	500
-----------------------------	-----

Material data

Contact material	Cu alloy
Contact surface material	Silver-plated
Contact carrier material	PA / PC
Insulating material	PA
Inflammability class acc. to UL 94	V0
Surge voltage category	III
Pollution degree	3

Accessories

Item	Designation	Description
------	-------------	-------------

General

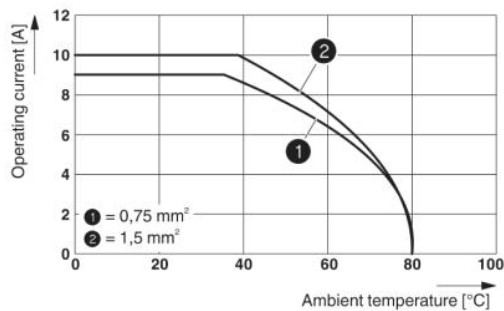
1642182	Q 1,5/4IDC/24-24KU-KU BK PE	QUICKON cable connector, black, 3+PE-pos., 0.75 mm ² ... 1.5 mm ² / 500 V / 17.5 A, for cable diameters of 6 mm ... 12 mm.
---------	-----------------------------	--

Tools

1205862	MICROFOX SC	Diagonal cutter for Cu wire up to 1.5 mm diameter
1670895	QSS 19	Socket wrench, for tightening and unscrewing the QUICKON union nut, wrench size 19 mm

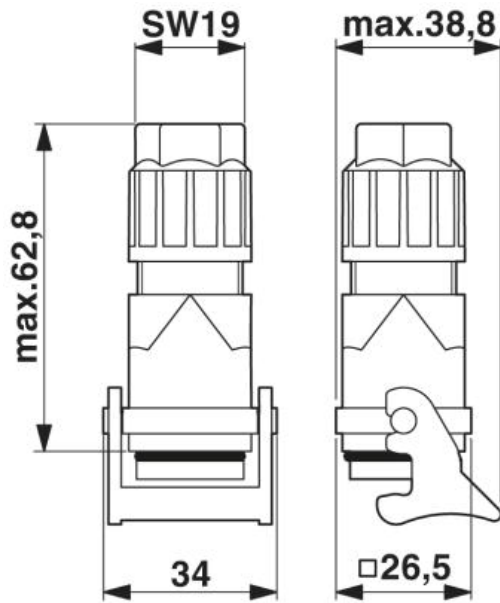
Drawings

Diagram



Derating diagram: A series

Dimensioned drawing



Address

PHOENIX CONTACT GmbH & Co. KG
Flachsmarktstr. 8
32825 Blomberg, Germany
Phone +49 5235 3 00
Fax +49 5235 3 41200
<http://www.phoenixcontact.com>



© 2009 Phoenix Contact
Technical modifications reserved;