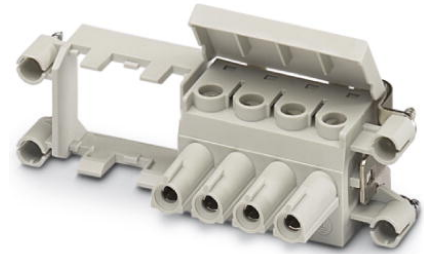


VC-TFS 5-PEA

Order No.: 1607474

The illustration shows the product version VC-TFS 4/1M-PEA

<http://eshop.phoenixcontact.de/phoenix/treeViewClick.do?UID=1607474>Contact insert with integrated sleeve frame, type VC 3, 4-pos. + PE,
690 V / 70 A

Commercial data

EAN	4017918969127
Pack	5 pcs.
Customs tariff	85366990
Weight/Piece	0.05866 KG
Catalog page information	Page 352 (PC-2009)

Product notes

WEEE/RoHS-compliant since:
03/02/2006

<http://www.download.phoenixcontact.com>
Please note that the data given here has been taken from the online catalog. For comprehensive information and data, please refer to the user documentation. The General Terms and Conditions of Use apply to Internet downloads.

Technical data

General data

Note	Plug connectors may only be connected/disconnected when under no load.
Connection method	Screw connection
	Screw connection
Tightening torque	1.2 Nm ... 1.8 Nm

Ambient temperature (operation)	-40 °C ... 100 °C
Pollution degree	3
Surge voltage category	III
Number of positions	5
Insertion/withdrawal cycles	≥ 500
Design	VC3
Conductor cross section AWG/kcmil min.	20
Conductor cross section AWG/kcmil max	6
2 conductors with same cross section, solid min.	0.5 mm ²
2 conductors with same cross section, solid max.	6 mm ²
2 conductors with same cross section, stranded min.	0.5 mm ²
2 conductors with same cross section, stranded max.	4 mm ²
2 conductors with same cross section, stranded, ferrules without plastic sleeve, min.	0.5 mm ²
2 conductors with same cross section, stranded, ferrules without plastic sleeve, max.	4 mm ²
Conductor cross section	0.5 mm ² ... 16 mm ²
Connection cross section AWG	20 ... 6
Stripping length of the individual wire	14 mm

Material data

Inflammability class acc. to UL 94	V0
Contact material	CuZn
Contact surface material	hard-silver plated
Contact carrier material	PA

Electrical characteristics

Rated voltage (III/3)	690 V
Rated surge voltage	6 kV
	6 kV
Rated current	70 A
	70 A

Accessories

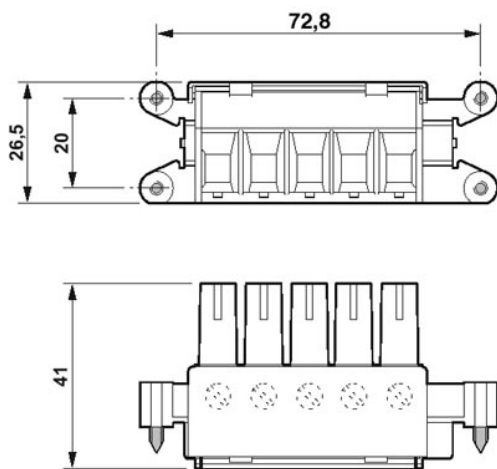
Item	Designation	Description
------	-------------	-------------

Tools

1205862	MICROFOX SC	Diagonal cutter for Cu wire up to 1.5 mm diameter
---------	-------------	---

Drawings

Dimensioned drawing



Address

PHOENIX CONTACT GmbH & Co. KG
Flachsmarktstr. 8
32825 Blomberg, Germany
Phone +49 5235 3 00
Fax +49 5235 3 41200
<http://www.phoenixcontact.com>



© 2009 Phoenix Contact
Technical modifications reserved;