

SACC-E-M12FS-5CON-M16/1,5

Order No.: 1576669

<http://eshop.phoenixcontact.de/phoenix/treeViewClick.do?UID=1576669>

Sensor/Actuator flush-type socket, 5-pos., M12, A-coded, front/screw mounting with M16 thread, with 1.5 m TPE litz wire, 5 x 0.34 mm²

Commercial data

EAN	4046356448178
Pack	1 pcs.
Customs tariff	85444290
Weight/Piece	0.22222 KG

Product notes

WEEE/RoHS-compliant since:
09/02/2008



<http://www.download.phoenixcontact.com>
Please note that the data given here has been taken from the online catalog. For comprehensive information and data, please refer to the user documentation. The General Terms and Conditions of Use apply to Internet downloads.

Accessories

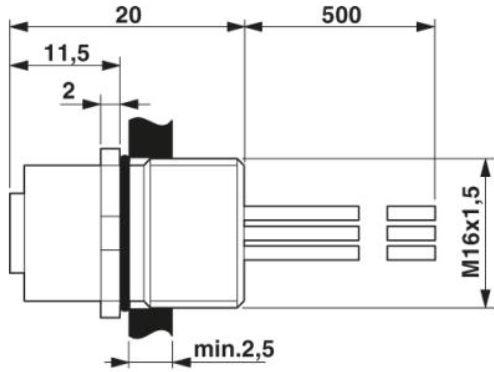
Item	Designation	Description
------	-------------	-------------

Assembly

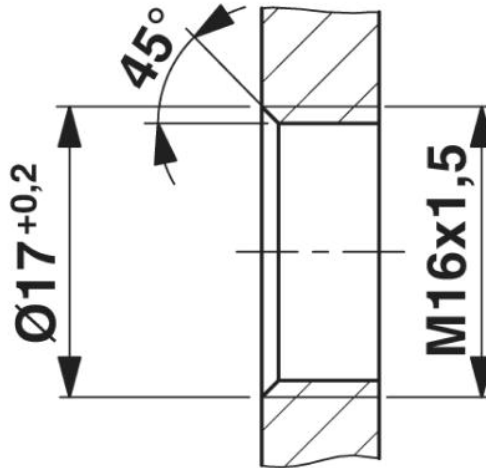
1504097	SACC-E-MU-M16	Flat nut with M16 thread
---------	---------------	--------------------------

Drawings

Dimensioned drawing

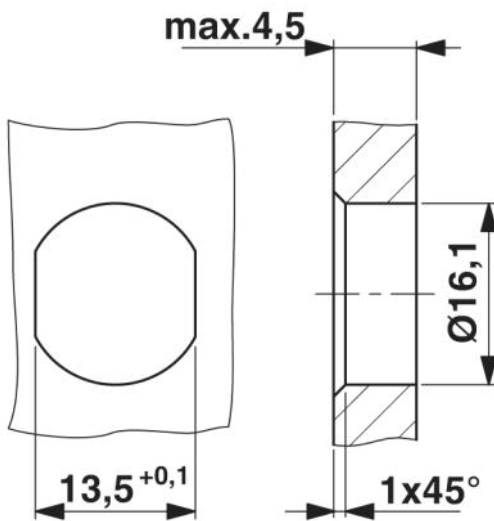


M12 flush-type connector

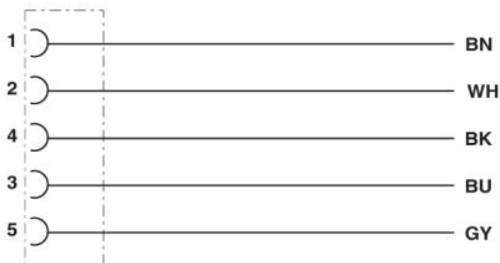


Housing cutout for M16 fastening thread, mounting panel with thread

Housing cutout for M16 fastening thread, mounting panel with feed-through hole (alternatively with surface as protection against rotation)



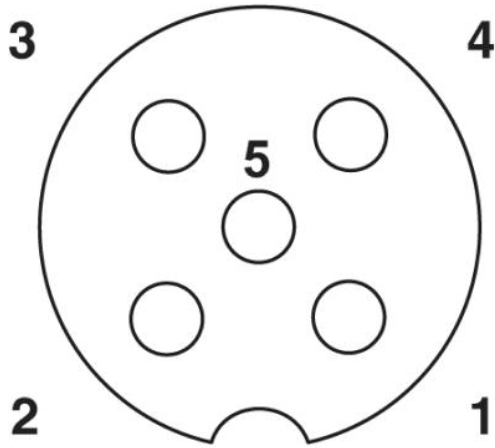
Circuit diagram



Contact assignment of the M12 plug and the M12 socket

Schematic diagram

Pin assignment M12 socket, 5-pos., A-coded, socket side view



Address

PHOENIX CONTACT GmbH & Co. KG
Flachsmarktstr. 8
32825 Blomberg, Germany
Phone +49 5235 3 00
Fax +49 5235 3 41200
<http://www.phoenixcontact.com>



© 2009 Phoenix Contact
Technical modifications reserved;