

SACC-DSI-MS-17CON-L180 SCO

Order No.: 1559961



<http://eshop.phoenixcontact.de/phoenix/treeViewClick.do?UID=1559961>

Sensor/actuator flush-type connector, plug, 17-pos., M12 SPEEDCON, A-coded, rear/screw mounting with Pg9 thread, with straight solder pins

Commercial data	
EAN	4046356322676
Pack	20 pcs.
Customs tariff	85444290
Weight/Piece	0.01532 KG
Catalog page information	Page 28 (PC-2009)

Product notes

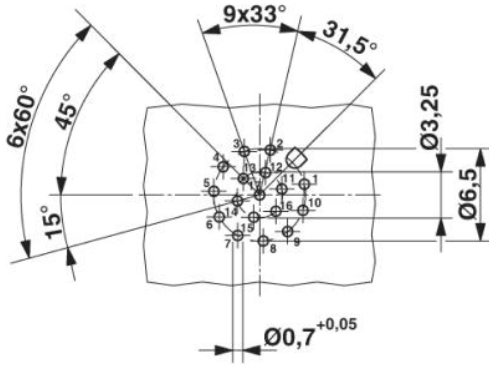
WEEE/RoHS-compliant since:
10/10/2007



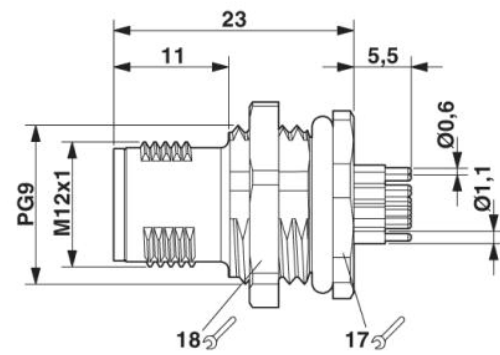
<http://www.download.phoenixcontact.com>
Please note that the data given here has been taken from the online catalog. For comprehensive information and data, please refer to the user documentation. The General Terms and Conditions of Use apply to Internet downloads.

Drawings

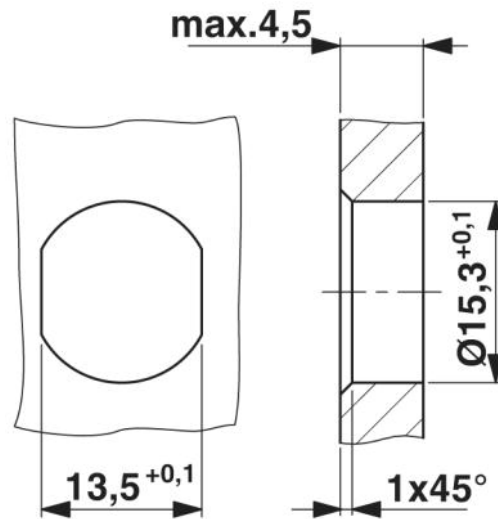
Drilling diagram



Dimensioned drawing

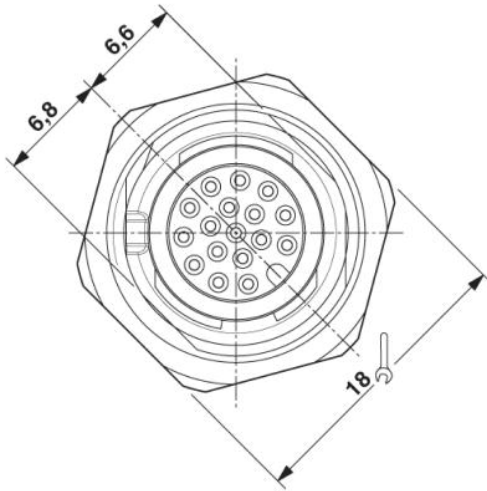


M12 flush-type connector



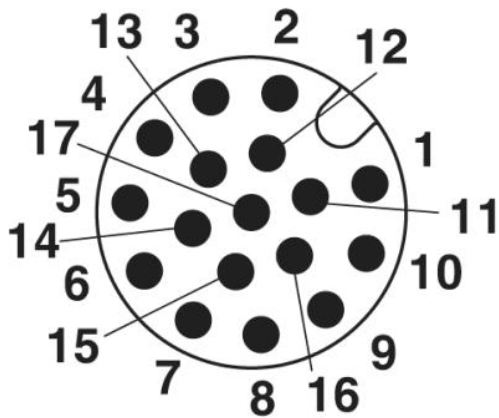
Montageausschnitt mit Verdrehschutz für PG9-Gewinde

Frontansicht M12



Schematic diagram

Pin assignment M12 male connector, 17-pos., male side view



Address

PHOENIX CONTACT GmbH & Co. KG
Flachmarktstr. 8
32825 Blomberg, Germany
Phone +49 5235 3 00
Fax +49 5235 3 41200
<http://www.phoenixcontact.com>



© 2009 Phoenix Contact
Technical modifications reserved;