

## SACC-DSI-FS-17CON-L180 SCO

Order No.: 1559958



<http://eshop.phoenixcontact.de/phoenix/treeViewClick.do?UID=1559958>

Sensor/actuator flush-type connector, socket, 17-pos., M12  
SPEEDCON, A-coded, rear/screw mounting with Pg9 thread, with  
straight solder pins

Commercial data	
EAN	4046356322669
Pack	20 pcs.
Customs tariff	85444290
Weight/Piece	0.0148 KG
Catalog page information	Page 28 (PC-2009)

#### Product notes

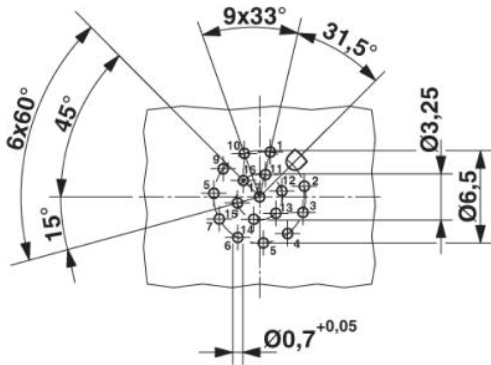
WEEE/RoHS-compliant since:  
10/10/2007



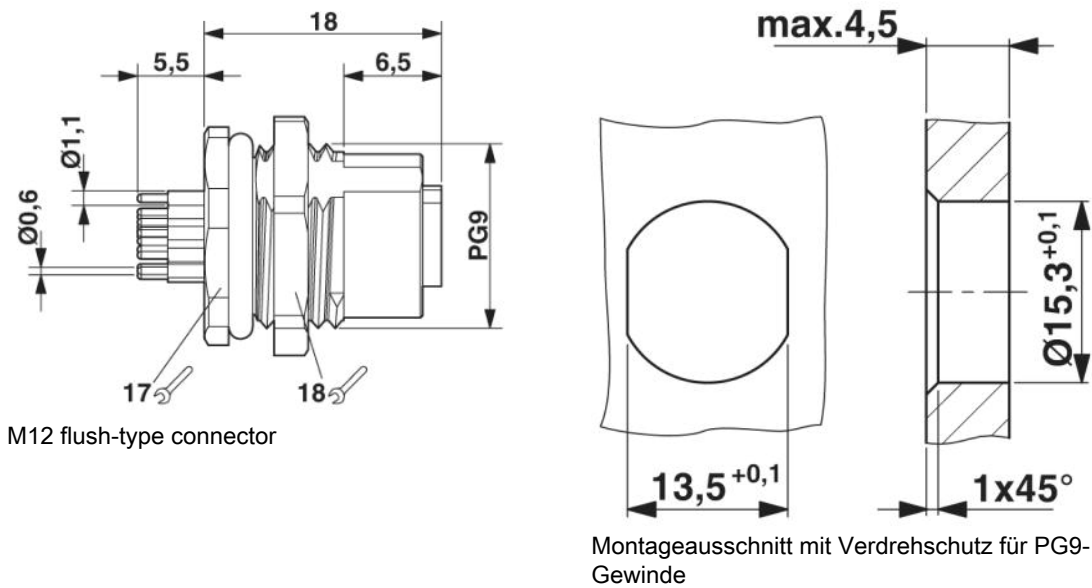
<http://www.download.phoenixcontact.com>  
Please note that the data given here has been taken from the online catalog. For comprehensive information and data, please refer to the user documentation. The General Terms and Conditions of Use apply to Internet downloads.

Drawings

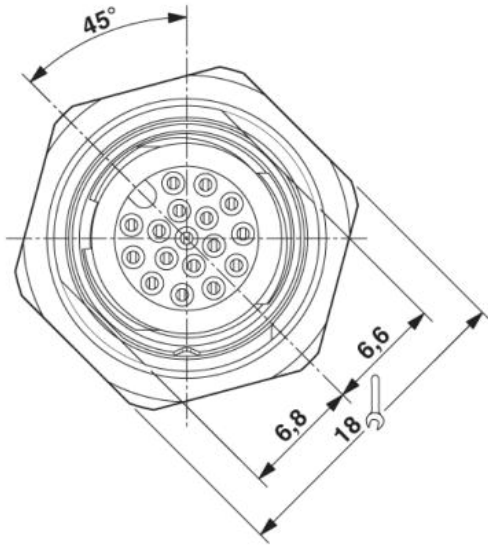
Drilling diagram



Dimensioned drawing

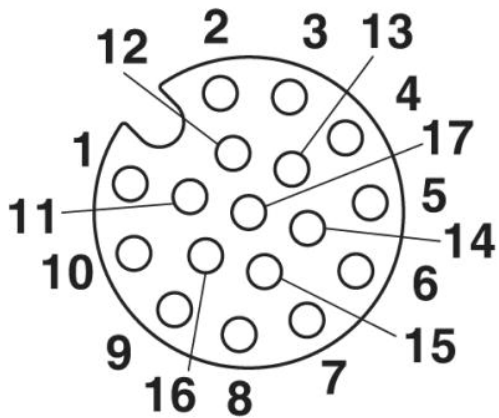


Frontansicht M12



Schematic diagram

Pin assignment M12, 17-pos., female side view



**Address**

PHOENIX CONTACT GmbH & Co. KG  
Flachsmarktstr. 8  
32825 Blomberg, Germany  
Phone +49 5235 3 00  
Fax +49 5235 3 41200  
<http://www.phoenixcontact.com>



© 2009 Phoenix Contact  
Technical modifications reserved;