

**SACCBP-M12FS-4CON-M16/2,0-990**

Order No.: 1559835

<http://eshop.phoenixcontact.de/phoenix/treeViewClick.do?UID=1559835>Bus system flush-type socket, CC-Link, 4-pos., M12, shielded, rear/  
screw mounting with M16 thread, with 2 m bus cable

CC-Link

**Commercial data**

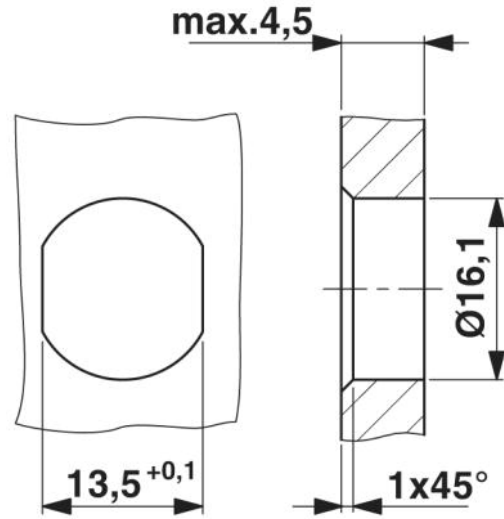
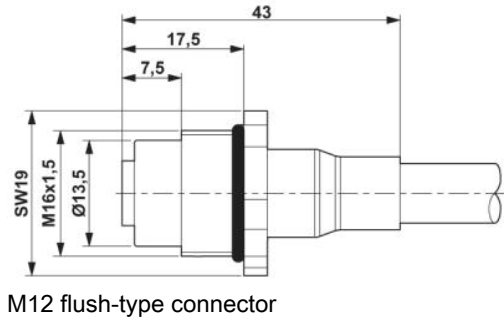
EAN	4046356322140
Pack	1 pcs.
Customs tariff	85444290
Weight/Piece	0.1957 KG
Catalog page information	Page 290 (PC-2009)

**Product notes**WEEE/RoHS-compliant since:  
10/10/2007

<http://www.download.phoenixcontact.com>  
Please note that the data given here has been taken from the online catalog. For comprehensive information and data, please refer to the user documentation. The General Terms and Conditions of Use apply to Internet downloads.

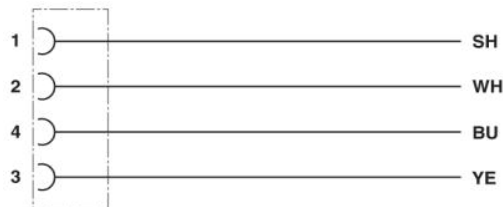
**Drawings**

Dimensioned drawing



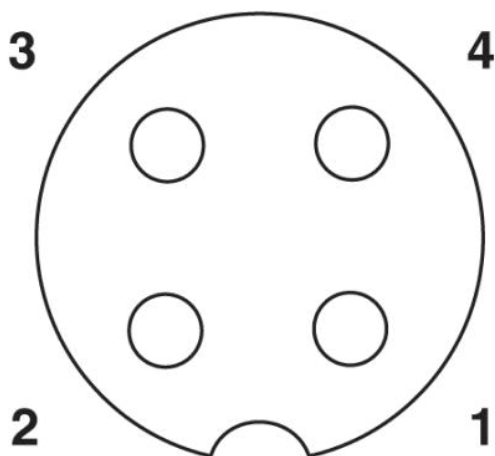
Housing cutout for M16 fastening thread,  
 mounting panel with feed-through hole  
 (alternatively with surface as protection against  
 rotation)

Circuit diagram



Contact assignment of the M12 socket

Schematic diagram



Pin assignment M12 socket, 4-pos., A-coded, view female side

**Address**

PHOENIX CONTACT GmbH & Co. KG  
Flachsmarktstr. 8  
32825 Blomberg, Germany  
Phone +49 5235 3 00  
Fax +49 5235 3 41200  
<http://www.phoenixcontact.com>



© 2009 Phoenix Contact  
Technical modifications reserved;