

**SACC-CI-M12MS-8CON-L180-THR SH**

Order No.: 1557581

<http://eshop.phoenixcontact.de/phoenix/treeViewClick.do?UID=1557581>Sensor/actuator flush-type connector, 8-pos., shielded, with straight  
THR solder connection**Commercial data**

EAN	4046356284882
Pack	60 pcs.
Customs tariff	85366990
Weight/Piece	0.00366 KG
Catalog page information	Page 33 (PC-2009)

**Product notes**WEEE/RoHS-compliant since:  
04/13/2007

<http://www.download.phoenixcontact.com>  
Please note that the data given here has been taken from the online catalog. For comprehensive information and data, please refer to the user documentation. The General Terms and Conditions of Use apply to Internet downloads.

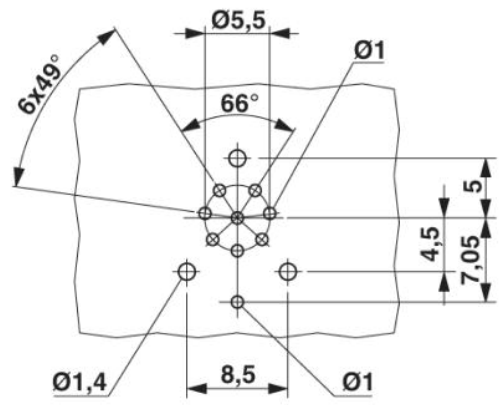
**Technical data****General data**

Nominal current $I_N$	2 A
Nominal voltage $U_N$	30 V
Number of positions	8
Volume resistance	$\leq 3 \text{ m}\Omega$
Insulation resistance	$\geq 100 \text{ M}\Omega$

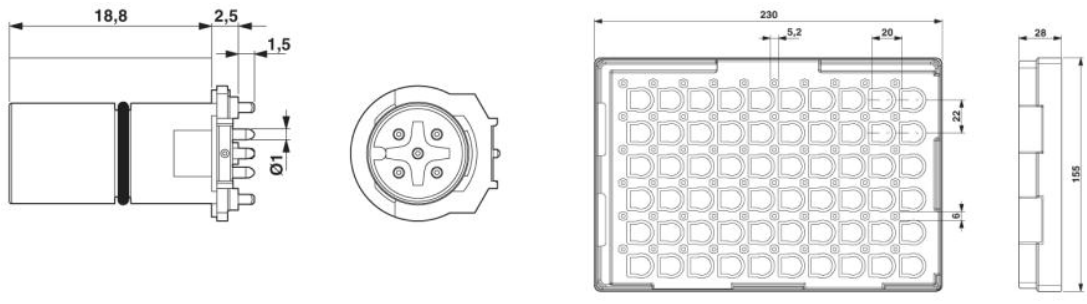
Ambient temperature (operation)	-25 °C ... 85 °C (plug/socket)
<b>General characteristics</b>	
Coding	A - standard
Inflammability class acc. to UL 94	V0
Surge voltage category	II
Pollution degree	3
Contact material	CuZn
Contact surface material	Au
Contact carrier material	PA 66
Sealing material	FKM / EPDM
Mounting type	PCB mounting
Type of connection	THR solder connection
Status display	No

**Drawings**

Drilling diagram



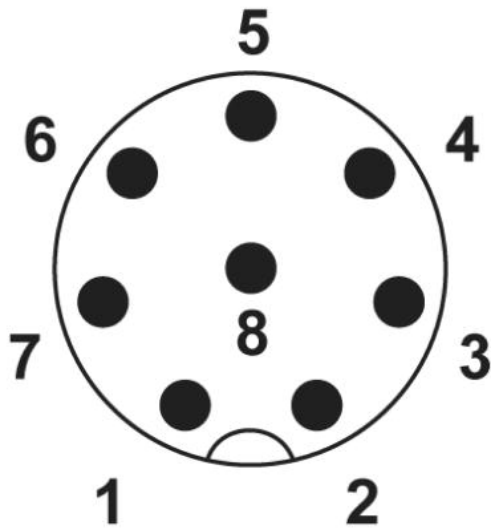
Dimensioned drawing



THR tray packaging

Schematic diagram

Pin assignment M12 plug, 8-pos., view plug side



**Address**

PHOENIX CONTACT GmbH & Co. KG  
Flachmarktstr. 8  
32825 Blomberg, Germany  
Phone +49 5235 3 00  
Fax +49 5235 3 41200  
<http://www.phoenixcontact.com>



© 2009 Phoenix Contact  
Technical modifications reserved;