

SACC-DSI-M12MS-5CON-L180 VA

Order No.: 1554746

<http://eshop.phoenixcontact.de/phoenix/treeViewClick.do?UID=1554746>

Sensor/actuator flush-type connector, 5-pos., M12, A-coded, rear/
screw mounting with PG9 thread, with straight solder connection, high-
grade steel version

Commercial data	
EAN	4046356170413
Pack	20 pcs.
Customs tariff	85366990
Weight/Piece	0.01547 KG
Catalog page information	Page 144 (PC-2009)

Product notes

WEEE/RoHS-compliant since:
11/10/2006

[http://
www.download.phoenixcontact.com](http://www.download.phoenixcontact.com)
Please note that the data given
here has been taken from the
online catalog. For comprehensive
information and data, please refer
to the user documentation. The
General Terms and Conditions of
Use apply to Internet downloads.

Technical data	
General data	
Nominal current I_N	4 A
Nominal voltage U_N	60 V
Number of positions	5
Volume resistance	$\leq 3 \text{ m}\Omega$

Insulation resistance	$\geq 100 \text{ M}\Omega$
Ambient temperature (operation)	-25 °C ... 85 °C (plug/socket)

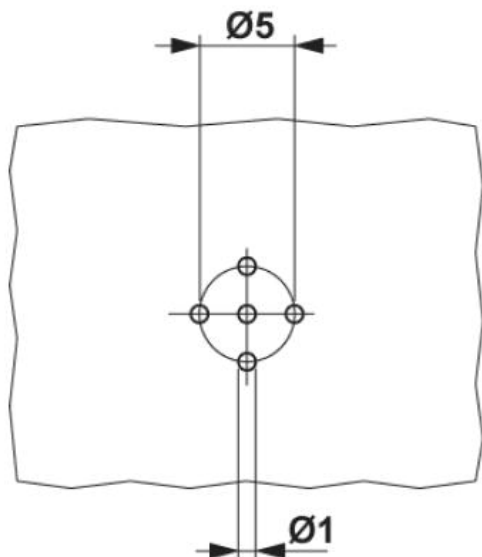
General characteristics

Coding	A - standard
Inflammability class acc. to UL 94	HB
Surge voltage category	II
Pollution degree	3
Degree of protection	IP67/IP69K
Contact material	CuZn
Contact surface material	Au
Contact carrier material	PA 66
Material, knurls	High-grade steel
Sealing material	NBR
Mounting type	Rear mounting, Pg9 thread with lock nut
Type of connection	Solder pins
Status display	No

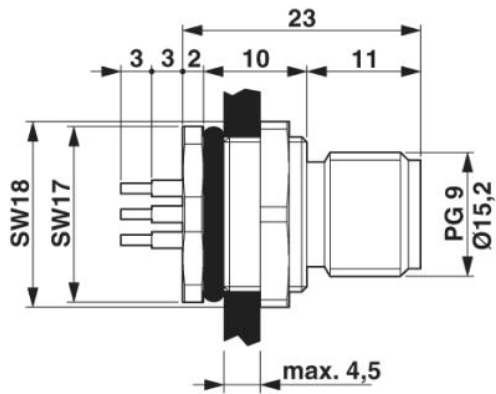
Drawings

Drilling diagram

M12 flush-type plug

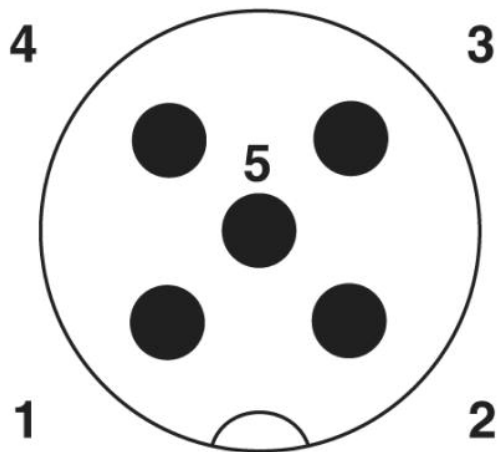


Dimensioned drawing



M12 flush-type plug

Schematic diagram



Pin assignment M12 plug, 8-pos., view plug side

Address

PHOENIX CONTACT GmbH & Co. KG
Flachmarktstr. 8
32825 Blomberg, Germany
Phone +49 5235 3 00
Fax +49 5235 3 41200
<http://www.phoenixcontact.com>



© 2009 Phoenix Contact
Technical modifications reserved;