

SACC-DSI-M12FS-8CON-PG9/0,5 VA

Order No.: 1554720

<http://eshop.phoenixcontact.de/phoenix/treeViewClick.do?UID=1554720>

Sensor/Actuator flush-type socket, 8-pos., M12, A-coded, rear/screw mounting with PG9 thread, with 0.5 m TPE litz wire, 8 x 0.25 mm², on high-grade steel version

Commercial data	
EAN	4046356170376
Pack	1 pcs.
Customs tariff	85366990
Weight/Piece	0.0307 KG
Catalog page information	Page 144 (PC-2009)

Product notes

WEEE/RoHS-compliant since:
11/10/2006



<http://www.download.phoenixcontact.com>
Please note that the data given here has been taken from the online catalog. For comprehensive information and data, please refer to the user documentation. The General Terms and Conditions of Use apply to Internet downloads.

Technical data	
General data	
Nominal current I _N	2 A
Nominal voltage U _N	30 V
Number of positions	8
Volume resistance	≤ 3 mΩ

Insulation resistance	≥ 100 MΩ
Length of cable	0.5 m
Ambient temperature (operation)	-25 °C ... 85 °C (plug/socket)
	-25 °C ... 90 °C (cable, fixed installation)

General characteristics

Coding	A - standard
Inflammability class acc. to UL 94	V0
Surge voltage category	II
Pollution degree	3
Degree of protection	IP67/IP69K
Contact material	CuZn
Contact surface material	Au
Contact carrier material	PA 66
Material, knurls	High-grade steel
Sealing material	NBR
Mounting type	Rear mounting, Pg9 thread with lock nut
Type of connection	Individual wires
Status display	No

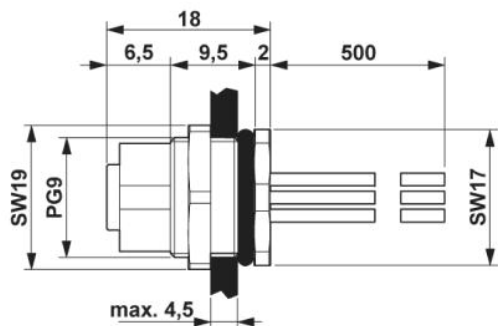
Conductor data

Cable type	TPE litz wire
Conductor cross section	0.25 mm ²
AWG signal line	24
Conductor structure, signal line	14x 0.15 mm
Core diameter including insulation	1.15 mm ±0.07 mm
Thickness, insulation	0.21 mm
Wire colors	Brown, blue, white, gray, pink, green, yellow, red
Insulation resistance	≥ 20 MΩ*km
Conductor resistance	≤ 80 Ω/km
Nominal voltage, conductor	300 V
Test voltage, conductor	2000 V AC
Material conductor insulation	TPE
Conductor material	Tin-plated Cu litz wires

Drawings

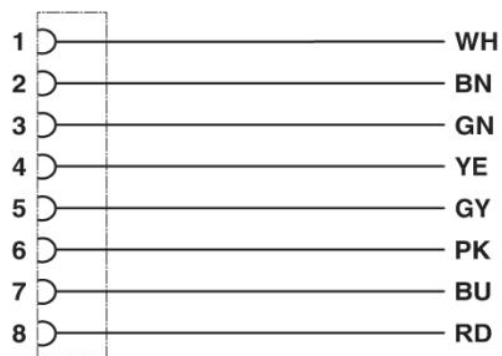
Dimensioned drawing

M12 flush-type connector



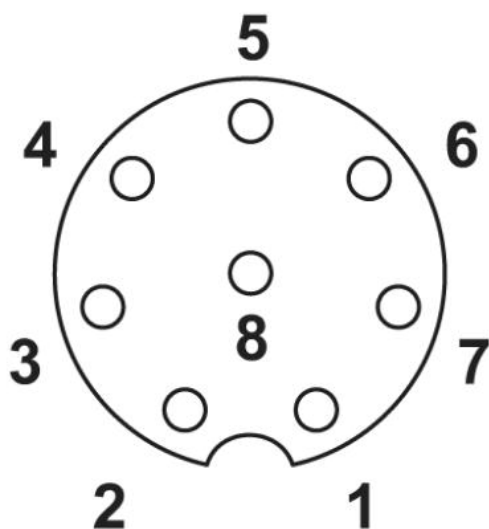
Circuit diagram

Contact assignment of the M12 socket



Schematic diagram

Pin assignment M12 socket, 8-pos., A-coded, view female side



Address

PHOENIX CONTACT GmbH & Co. KG
Flachmarktstr. 8
32825 Blomberg, Germany
Phone +49 5235 3 00
Fax +49 5235 3 41200
<http://www.phoenixcontact.com>



© 2009 Phoenix Contact
Technical modifications reserved;