

SACC-M12FR-8Q SH

Order No.: 1553666



<http://eshop.phoenixcontact.de/phoenix/treeViewClick.do?UID=1553666>

Bus system connector, socket, angled, 8-pos., M12 shielded,
QUICKON connection block, cable diameter max. 8 mm

Commercial data

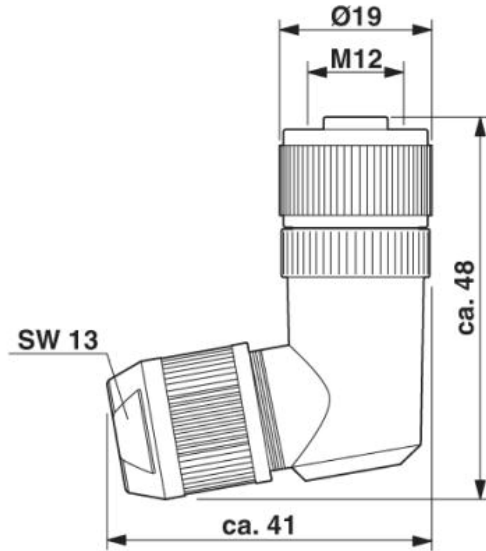
EAN	4046356158831
Pack	1 pcs.
Customs tariff	85366990
Weight/Piece	0.0553 KG
Catalog page information	Page 52 (PC-2009)

[http://
www.download.phoenixcontact.com](http://www.download.phoenixcontact.com)
Please note that the data given
here has been taken from the
online catalog. For comprehensive
information and data, please refer
to the user documentation. The
General Terms and Conditions of
Use apply to Internet downloads.

Drawings

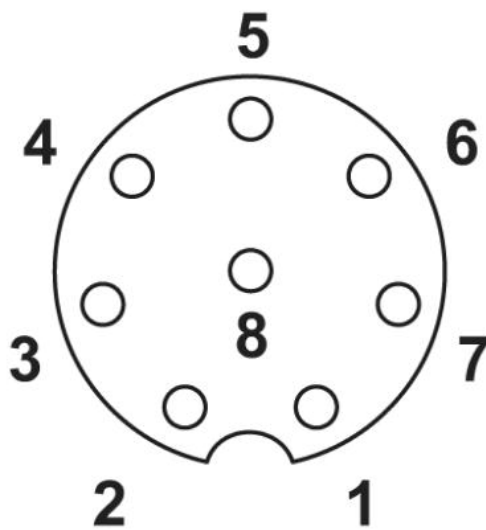
Dimensioned drawing

M12 x 1 female connector, angled, shielded



Schematic diagram

Pin assignment M12 socket, 8-pos., A-coded, view female side



Address

PHOENIX CONTACT GmbH & Co. KG
Flachsmarktstr. 8
32825 Blomberg, Germany
Phone +49 5235 3 00
Fax +49 5235 3 41200
<http://www.phoenixcontact.com>



© 2009 Phoenix Contact
Technical modifications reserved;