

**SAC-4P-10,0-511/M12FR-3L FB**

Order No.: 1552573

<http://eshop.phoenixcontact.de/phoenix/treeViewClick.do?UID=1552573>

Sensor/actuator cable, 4-pos., black PVC, FDA listed, free conductor end on angled socket M12 with 3 LEDs, length: 10 m

**Commercial data**

EAN	4046356155953
Pack	1 pcs.
Customs tariff	85444290
Weight/Piece	0.39262 KG
Catalog page information	Page 147 (PC-2009)

**Product notes**

WEEE/RoHS-compliant since:  
07/07/2008



<http://www.download.phoenixcontact.com>  
Please note that the data given here has been taken from the online catalog. For comprehensive information and data, please refer to the user documentation. The General Terms and Conditions of Use apply to Internet downloads.

**Technical data****General data**

Nominal current $I_N$	4 A
Nominal voltage $U_N$	24 V
Number of positions	4
Volume resistance	$\leq 5 \text{ m}\Omega$
Insulation resistance	$\geq 100 \text{ M}\Omega$

Length of cable	10 m
Ambient temperature (operation)	-25 °C ... 90 °C (plug/socket)
	-40 °C ... 80 °C (cable, fixed installation)
	-5 °C ... 80 °C (cable, flexible installation)

#### General characteristics

Coding	A - standard
Inflammability class acc. to UL 94	HB
Surge voltage category	II
Pollution degree	3
Degree of protection	IP65/IP68/IP69K
Contact material	CuSn
Contact surface material	Ni/Au
Contact carrier material	TPU GF
Material of grip body	TPU, hardly inflammable, self-extinguishing
Material, knurls	High-grade steel
Sealing material	NBR
Status display	3 LEDs

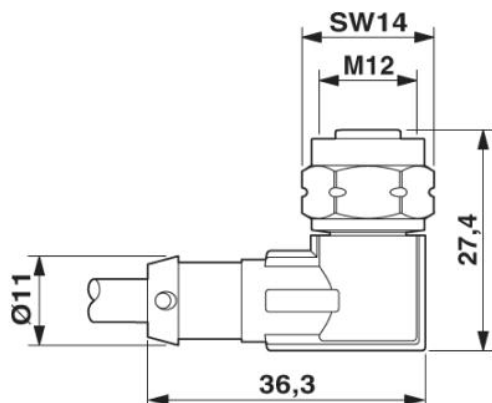
#### Conductor data

Cable type	PVC black FDA
Cable type (abbreviation)	511
Cable abbreviation	LiYY-HF
Conductor cross section	0.34 mm <sup>2</sup>
AWG signal line	22
Conductor structure, signal line	42x 0.10 mm
Core diameter including insulation	1.52 mm ±0.05 mm
External cable diameter	5.20 mm
Wire colors	Black, brown, blue, white
External sheath, color	Black RAL 9005
Nominal voltage, conductor	300 V
Test voltage, conductor	1500 V
Overall twist	4 wires, twisted
Outer sheath, material	Special mixture on PVC base
Material conductor insulation	PVC
Conductor material	Bare Cu litz wires

## Drawings

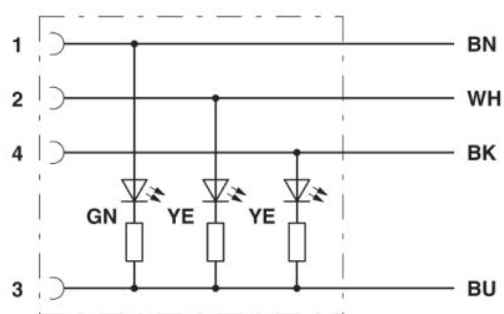
Dimensioned drawing

Socket M12 x 1, angled, with LED



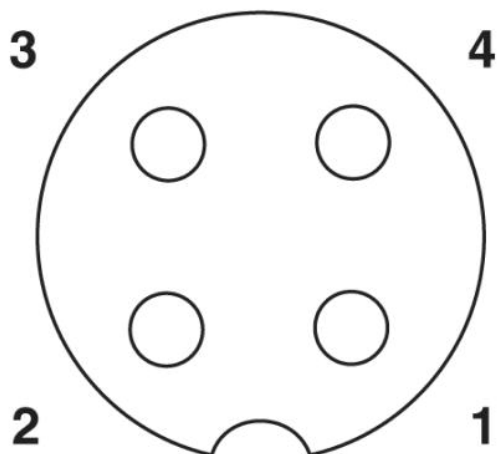
Circuit diagram

Contact assignment of the M12 plug and the M12 socket



Schematic diagram

Pin assignment M12 socket, 4-pos., A-coded, view female side



**Address**

PHOENIX CONTACT GmbH & Co. KG  
Flachmarktstr. 8  
32825 Blomberg, Germany  
Phone +49 5235 3 00  
Fax +49 5235 3 41200  
<http://www.phoenixcontact.com>



© 2009 Phoenix Contact  
Technical modifications reserved;