

SACC-DSI-FS-5CON-L180/12 SCO

Order No.: 1552285



<http://eshop.phoenixcontact.de/phoenix/treeViewClick.do?UID=1552285>

Sensor/actuator flush-type socket, 5-pos., M12-SPEEDCON, A-coded, rear/screw mounting with Pg9 thread, with straight solder connection, design with 12 mm long solder pins

| Commercial data | |
|--------------------------|-------------------|
| EAN | 4046356162135 |
| Pack | 20 pcs. |
| Customs tariff | 85366990 |
| Weight/Piece | 0.01454 KG |
| Catalog page information | Page 28 (PC-2009) |

Product notes

WEEE/RoHS-compliant since:
09/29/2006



<http://www.download.phoenixcontact.com>
Please note that the data given here has been taken from the online catalog. For comprehensive information and data, please refer to the user documentation. The General Terms and Conditions of Use apply to Internet downloads.

| Technical data | |
|-----------------------|--------------------------|
| General data | |
| Nominal current I_N | 4 A |
| Nominal voltage U_N | 60 V |
| Number of positions | 5 |
| Volume resistance | $\leq 3 \text{ m}\Omega$ |

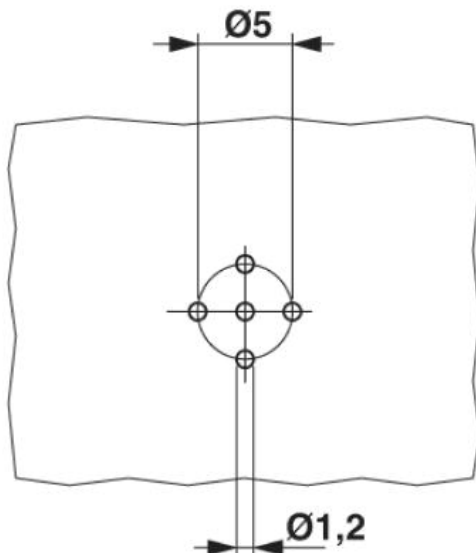
| | |
|---------------------------------|--------------------------------|
| Insulation resistance | $\geq 100 \text{ M}\Omega$ |
| Ambient temperature (operation) | -25 °C ... 85 °C (plug/socket) |

General characteristics

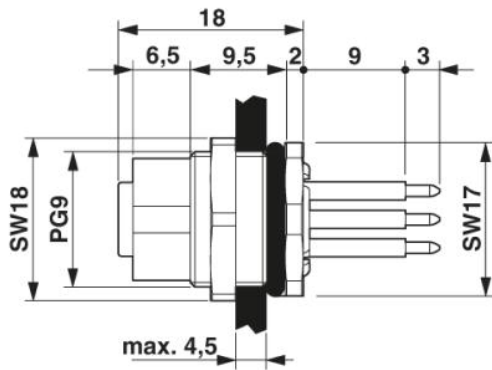
| | |
|------------------------------------|---|
| Coding | A - standard |
| Inflammability class acc. to UL 94 | V0 |
| Surge voltage category | II |
| Pollution degree | 3 |
| Degree of protection | IP67 |
| Contact material | CuZn |
| Contact surface material | Au |
| Contact carrier material | PA 66 |
| Material, knurls | Zinc die-cast, (nickel-plated) |
| Sealing material | NBR |
| Mounting type | Rear mounting, Pg9 thread with flat nut |
| Type of connection | Solder pins |
| Length of the solder contacts | 12 mm |
| Status display | No |

Drawings

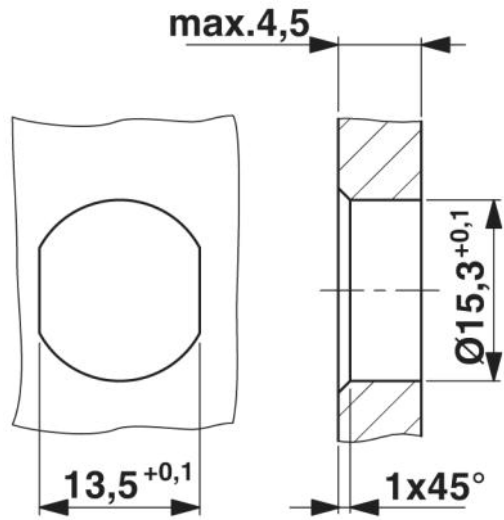
Drilling diagram



Dimensioned drawing

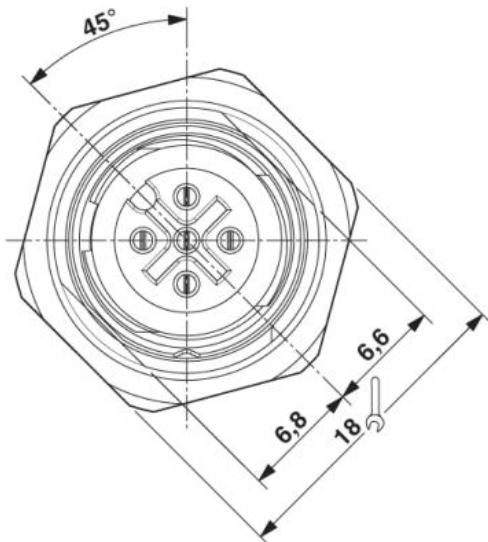


M12 flush-type connector



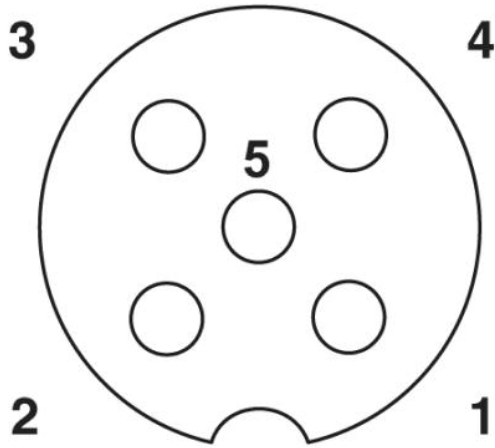
Housing cutout for Pg9 fastening thread,
mounting panel with feed-through hole
(alternatively with surface as protection against
rotation)

Frontansicht M12



Schematic diagram

Pin assignment M12 socket, 5-pos., A-coded, socket side view



Address

PHOENIX CONTACT GmbH & Co. KG
Flachsmarktstr. 8
32825 Blomberg, Germany
Phone +49 5235 3 00
Fax +49 5235 3 41200
<http://www.phoenixcontact.com>



© 2009 Phoenix Contact
Technical modifications reserved;