

## SACC-DSI-FSB-5CON-L180 SCO

Order No.: 1543650



<http://eshop.phoenixcontact.de/phoenix/treeViewClick.do?UID=1543650>

Sensor/actuator flush-type socket, 5-pos., M12 SPEEDCON, B-coded, rear/screw mounting with Pg10 thread, with straight solder connection



### Commercial data

EAN	4046356102186
Pack	20 pcs.
Customs tariff	85366990
Weight/Piece	0.01425 KG
Catalog page information	Page 28 (PC-2009)

### Product notes

WEEE/RoHS-compliant since:  
06/14/2006



<http://www.download.phoenixcontact.com>  
Please note that the data given here has been taken from the online catalog. For comprehensive information and data, please refer to the user documentation. The General Terms and Conditions of Use apply to Internet downloads.

### Technical data

#### General data

Nominal current $I_N$	4 A
Nominal voltage $U_N$	60 V
Number of positions	5
Volume resistance	$\leq 3 \text{ m}\Omega$

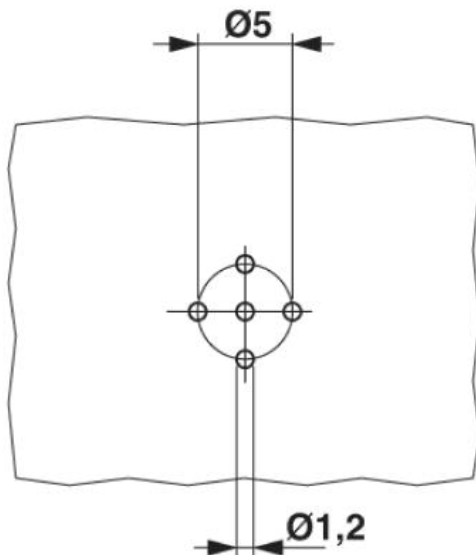
Insulation resistance	$\geq 100 \text{ M}\Omega$
Ambient temperature (operation)	-25 °C ... 85 °C (plug/socket)

#### General characteristics

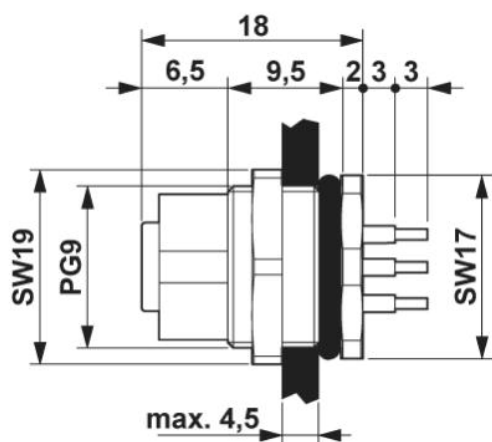
Coding	B - inverse
Inflammability class acc. to UL 94	V0
Surge voltage category	II
Pollution degree	3
Degree of protection	IP67
Contact material	Cu alloy
Contact surface material	Au
Contact carrier material	PA 66
Material, knurls	Nickel-plated brass
Sealing material	NBR
Mounting type	Rear mounting, Pg9 thread with lock nut
Type of connection	Solder pins
Length of the solder contacts	6 mm
Status display	No

#### Drawings

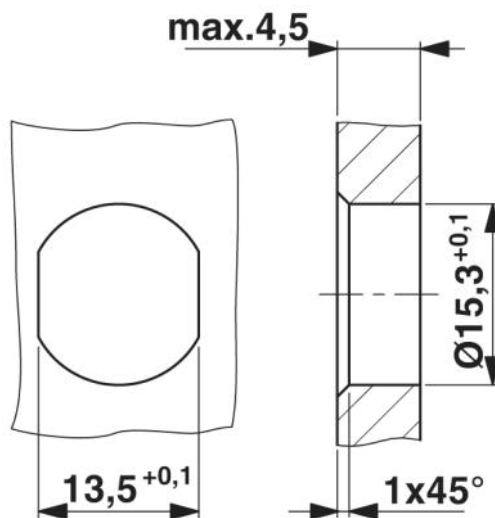
Drilling diagram



Dimensioned drawing

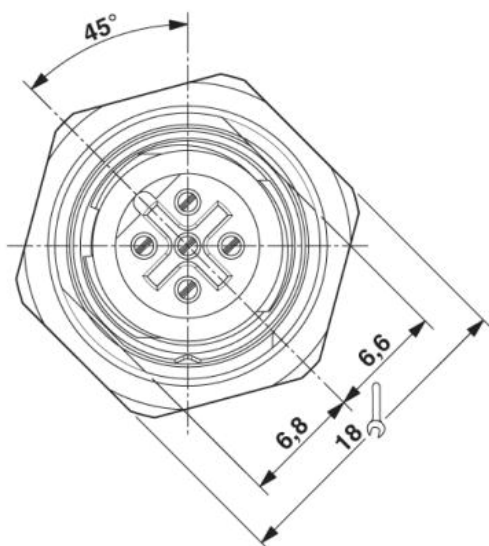


M12 flush-type connector

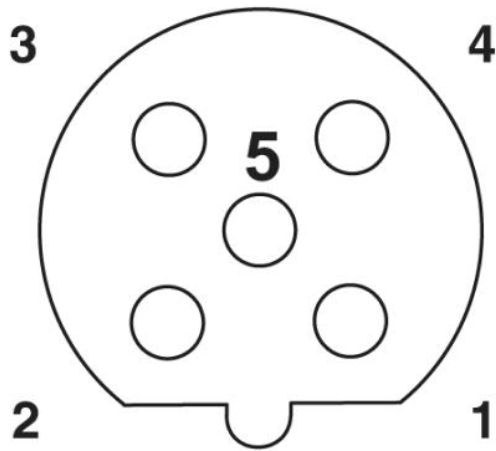


Montageausschnitt mit Verdrehenschutz für PG9-Gewinde

Frontansicht M12



Schematic diagram



Pin assignment M12 female connector, 5-pos., B-coded, female side

**Address**

PHOENIX CONTACT GmbH & Co. KG  
Flachsmarktstr. 8  
32825 Blomberg, Germany  
Phone +49 5235 3 00  
Fax +49 5235 3 41200  
<http://www.phoenixcontact.com>



© 2009 Phoenix Contact  
Technical modifications reserved;