

SAC-3P-M5MR/10,0-PUR

Order No.: 1530375



<http://eshop.phoenixcontact.de/phoenix/treeViewClick.do?UID=1530375>

Sensor/actuator cable, 3-pos., PUR/PVC black, angled plug M5 on free conductor end, cable length 10 m

Commercial data

EAN	4046356024174
Pack	1 pcs.
Customs tariff	85444290
Weight/Piece	0.1454 KG
Catalog page information	Page 70 (PC-2009)

Product notes

WEEE/RoHS-compliant since:
03/22/2006



<http://www.download.phoenixcontact.com>
Please note that the data given here has been taken from the online catalog. For comprehensive information and data, please refer to the user documentation. The General Terms and Conditions of Use apply to Internet downloads.

Technical data

General data

Nominal current I_N	1 A
Nominal voltage U_N	125 V
Number of positions	3
Volume resistance	$\leq 3 \text{ m}\Omega$
Insulation resistance	$\geq 10 \text{ G}\Omega$

Length of cable	10 m
Ambient temperature (operation)	-25 °C ... 80 °C (plug/socket)
	-25 °C ... 80 °C (cable, fixed installation)
	-5 °C ... 80 °C (cable, flexible installation)

General characteristics

Surge voltage category	II
Pollution degree	3
Degree of protection	IP65/IP67
Contact material	CuZn
Contact surface material	Au
Contact carrier material	PUR
Material of grip body	PUR
Material, knurls	Nickel-plated brass
Status display	No
Test voltage	1750 V

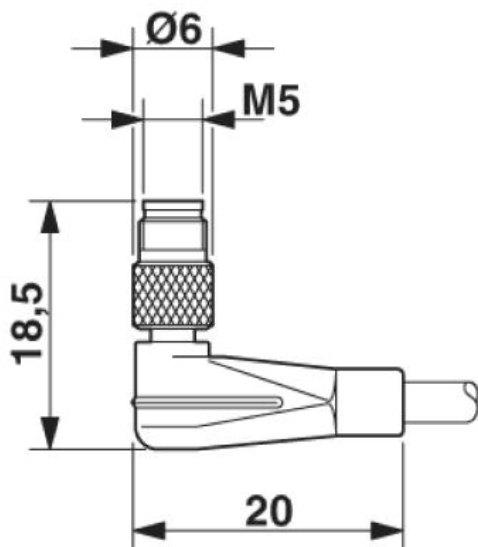
Conductor data

Cable type	PUR/PVC black
Conductor cross section	0.14 mm ²
AWG signal line	26
Conductor structure, signal line	18x 0.10 mm
Core diameter including insulation	1.1 mm
External cable diameter	3.10 mm
Wire colors	Brown, blue, black
External sheath, color	Black RAL 9005
Insulation resistance	100 MΩ*km
Conductor resistance	148 mΩ/m
Nominal voltage, conductor	250 V
Test voltage, conductor	800 V _{rms}
Overall twist	3 wires, twisted
Outer sheath, material	PUR
Material conductor insulation	PVC
Conductor material	Bare Cu litz wires
Cable weight	12.9 kg/km
Smallest bending radius, fixed installation	8 mm
Smallest bending radius, movable installation	15 mm

Drawings

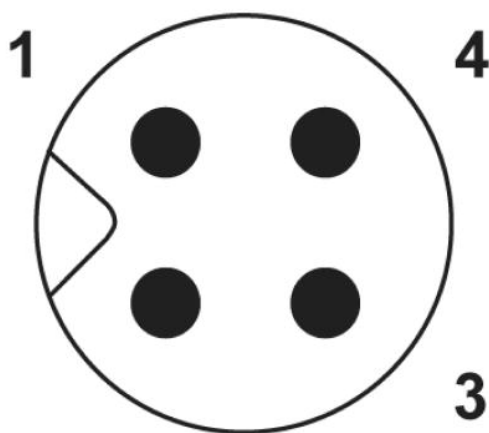
Dimensioned drawing

Plug M5 x 0.5, angled



Schematic diagram

Plug M5, 3-pos.



Address

PHOENIX CONTACT GmbH & Co. KG
Flachmarktstr. 8
32825 Blomberg, Germany
Phone +49 5235 3 00
Fax +49 5235 3 41200
<http://www.phoenixcontact.com>



© 2009 Phoenix Contact
Technical modifications reserved;