

# SACC-CI-M12FS-5CON-SCO

Order No.: 1528280

<http://eshop.phoenixcontact.de/phoenix/treeViewClick.do?UID=1528280>

Sensor/actuator flush-type socket, 5-pos., M12 SPEEDCON, A-coded,  
with straight solder connection

## Commercial data

EAN	4046356023252
Pack	100 pcs.
Customs tariff	85366990
Weight/Piece	0.008908 KG
Catalog page information	Page 28 (PC-2007)

## Product notes

WEEE/RoHS-compliant since:  
12/01/2005



<http://www.download.phoenixcontact.com>  
Please note that the data given here has been taken from the online catalog. For comprehensive information and data, please refer to the user documentation. The General Terms and Conditions of Use apply to Internet downloads.

## Technical data

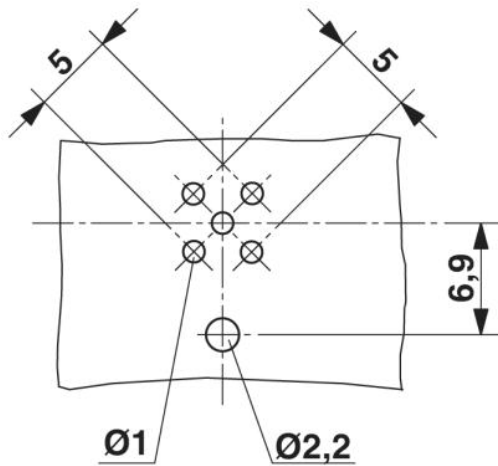
### General data

Nominal current $I_N$	4 A
Nominal voltage $U_N$	60 V
Number of positions	5
Volume resistance	$\leq 0.003 \Omega$
Insulation resistance	$\geq$

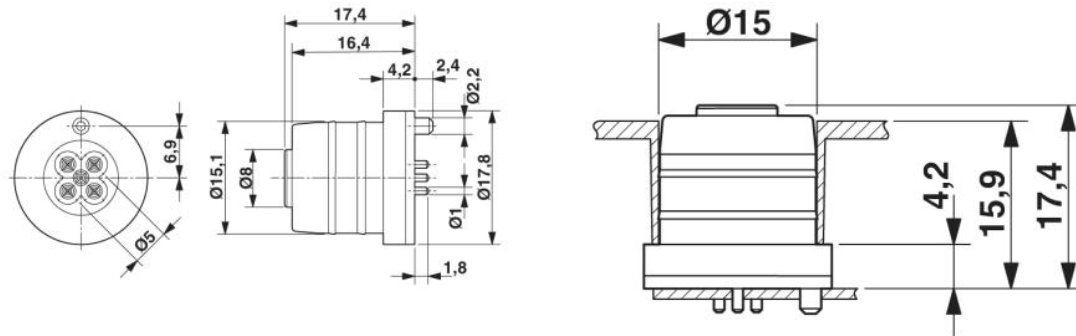
Ambient temperature (operation)	-25 °C ... 85 °C
<b>General characteristics</b>	
Coding	A - standard
Inflammability class acc. to UL 94	HB
Pollution degree	3
Degree of protection	IP67
Contact material	CuZn
Contact surface material	Au
Sealing material	FKM
Mounting type	PCB mounting
Status display	No

**Drawings**

Drilling diagram



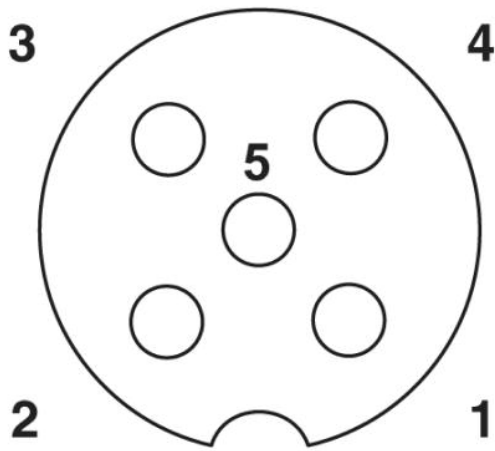
Dimensioned drawing



Installation diagram

Schematic diagram

Pin assignment M12 socket, 5-pos., A-coded, socket side view



**Address**

PHOENIX CONTACT GmbH & Co. KG  
Flachmarktstr. 8  
32825 Blomberg, Germany  
Phone +49 5235 3 00  
Fax +49 5235 3 41200  
<http://www.phoenixcontact.com>



© 2009 Phoenix Contact  
Technical modifications reserved;