

# SACCEC-M12MS-5CON-M16/ 1,0-920

Order No.: 1525636



<http://eshop.phoenixcontact.de/phoenix/treeViewClick.do?UID=1525636>

Bus system flush-type plug, DeviceNet/CANopen, 5-pos., M12, shielded, A-coded, front/screw mounting with M16 thread, with 1 m bus cable, 2 x 0.2 mm<sup>2</sup>, 2 x 0.32 mm<sup>2</sup>

CANopen

DeviceNet™



## Commercial data

EAN	4046356022378
Pack	1 pcs.
Customs tariff	85444290
Weight/Piece	0.0865 KG
Catalog page information	Page 281 (PC-2009)

## Product notes

WEEE/RoHS-compliant since:  
02/06/2006



<http://www.download.phoenixcontact.com>  
Please note that the data given here has been taken from the online catalog. For comprehensive information and data, please refer to the user documentation. The General Terms and Conditions of Use apply to Internet downloads.

## Technical data

### General data

Nominal current I <sub>N</sub>	4 A
Nominal voltage U <sub>N</sub>	60 V
Number of positions	5
Volume resistance	≤ 3 mΩ

Insulation resistance	≥ 10 Ω
Length of cable	1 m
Ambient temperature (operation)	-25 °C ... 80 °C (plug/socket)
	-40 °C ... 80 °C (cable, fixed installation)
	-20 °C ... 75 °C (cable, flexible installation)
Pg screw connection	M16 x 1.5

#### General characteristics

Coding	A - standard
Inflammability class acc. to UL 94	V0
Surge voltage category	II
Pollution degree	3
Degree of protection	IP67
Contact material	CuZn
Contact surface material	Ni/Au
Contact carrier material	PA 66
Material, knurls	Nickel-plated brass
Sealing material	NBR
Mounting type	Front mounting, M16 x 1.5 thread with lock nut
Type of connection	CAN Bus / DeviceNet
Status display	No
Test voltage	2500 V

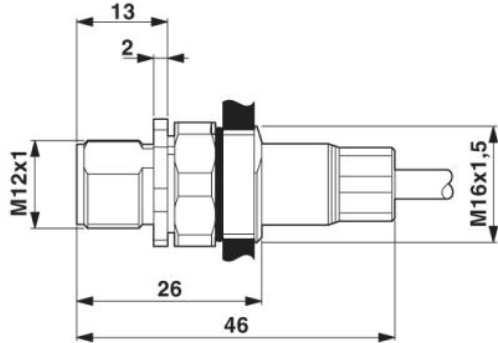
#### Conductor data

Cable type	CAN Bus/DeviceNet
Cable type (abbreviation)	920
Conductor cross section	0.2 mm <sup>2</sup> (signal line)
	0.32 mm <sup>2</sup> (Power supply)
	0.32 mm <sup>2</sup> (Filler litz wire)
AWG signal line	24
Conductor structure, signal line	19x 0.12 mm
AWG power supply	22
Conductor structure, voltage supply	19x 0.15 mm
Core diameter including insulation	2.05 mm ±0.1 mm (signal line)
	1.4 mm ±0.05 mm (Power supply)
External cable diameter	6.70 mm

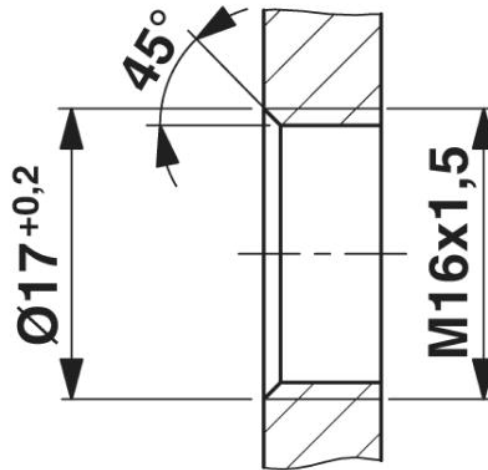
Wire colors	Red-black, blue-white
External sheath, color	Violet, RAL 4001
Insulation resistance	$\geq 5 \text{ G}\Omega\cdot\text{km}$ (signal line) $\geq 100 \text{ M}\Omega\cdot\text{km}$ (Power supply)
Conductor resistance	$\leq 78.4 \text{ }\Omega/\text{km}$ (signal line) $\geq 51.6 \text{ }\Omega/\text{km}$ (Power supply)
Working capacitance	39.3 pF (Signal line, Core-Core) 78.7 pF (Signal line, Core-Shield)
Nominal voltage, conductor	30 V (signal line) 300 V (Power supply)
Test voltage, conductor	1500 V (signal line) 2000 V (Power supply)
Twisted pairs	2 cores to the pair
Type of pair shielding	Aluminum-lined polyester foil
Overall twist	2 pairs around a filler litz wire in the center to the core
Shielding	Braided shielding made of tin-plated copper wires
Optical shield covering	70 %
Outer sheath, material	PUR
Material conductor insulation	PE (Power supply) Foamed PE (signal line)
Conductor material	Tin-plated Cu litz wires
Smallest bending radius, fixed installation	67 mm
Smallest bending radius, movable installation	67 mm
Number of bending cycles	5000000
Bending radius	67 mm
Traversing path	10 m
Traversing rate	3 m/s
Acceleration	7 m/s <sup>2</sup>

**Drawings**

Dimensioned drawing

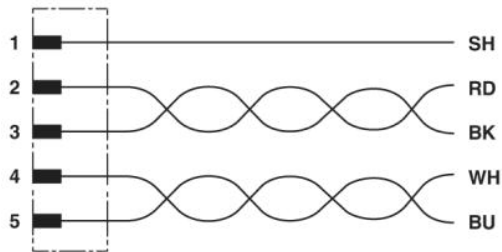


M12 flush-type plug



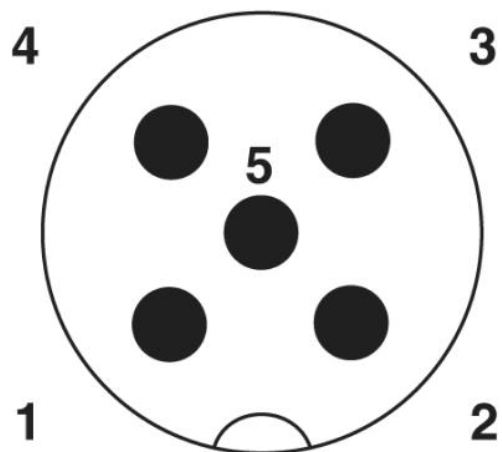
Housing cutout for M16 fastening thread,  
 mounting panel with thread

Circuit diagram



Contact assignment of the M12 plug

Schematic diagram



Pin assignment M12 male connector, 5-pos., A-coded, male side

**Address**

PHOENIX CONTACT GmbH & Co. KG  
Flachmarktstr. 8  
32825 Blomberg, Germany  
Phone +49 5235 3 00  
Fax +49 5235 3 41200  
<http://www.phoenixcontact.com>



© 2009 Phoenix Contact  
Technical modifications reserved;