

SACC-MINFR-3CON-PG 9

Order No.: 1521478

<http://eshop.phoenixcontact.de/phoenix/treeViewClick.do?UID=1521478>

Sensor/actuator connector, female, angled, 3-pos., 7/8", screw connection, metal knurl, cable screw connection Pg9

Commercial data

EAN	4017918949693
Pack	1 pcs.
Customs tariff	85369010
Weight/Piece	0.0429 KG
Catalog page information	Page 53 (PC-2009)

Product notes

WEEE/RoHS-compliant since:
03/22/2006



<http://www.download.phoenixcontact.com>
Please note that the data given here has been taken from the online catalog. For comprehensive information and data, please refer to the user documentation. The General Terms and Conditions of Use apply to Internet downloads.

Technical data

General data

Nominal current I_N	12 A
Nominal voltage U_N	250 V
Number of positions	3
Volume resistance	$\leq 5 \text{ m}\Omega$
Insulation resistance	$\geq 100 \text{ M}\Omega$

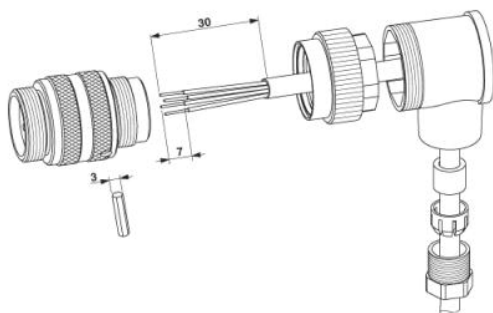
Ambient temperature (operation)	-25 °C ... 85 °C
Pg screw connection	Pg9

General characteristics

Inflammability class acc. to UL 94	HB
Surge voltage category	II
Pollution degree	3
Degree of protection	IP67
Contact material	CuZn
Contact surface material	Au
Contact carrier material	PUR / PA66
Material of grip body	PBT
Material, knurls	Anodized aluminum
Type of connection	Screw connection
Conductor cross section stranded min.	0.34 mm ²
Conductor cross section stranded max.	1.5 mm ²
Conductor cross section AWG/kcmil min.	22
Conductor cross section AWG/kcmil max	16
Min. diameter	6 mm
Max. diameter	8 mm
Status display	No

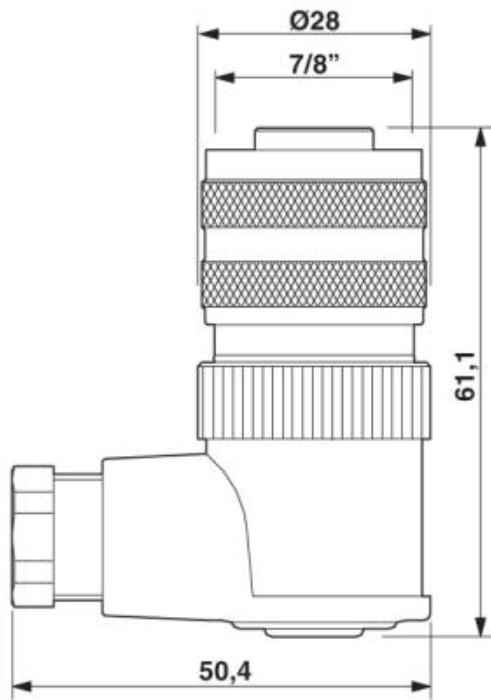
Drawings

Functional drawing



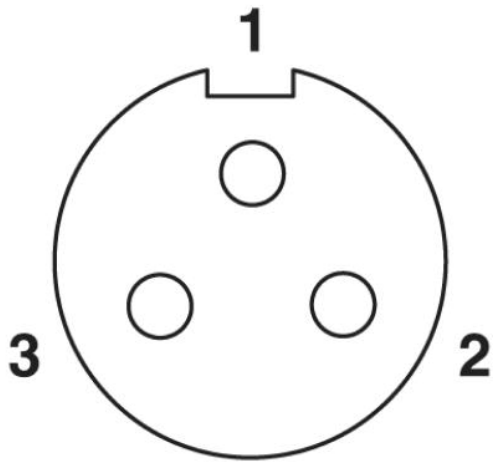
Dimensioned drawing

Female 7/8"-16UNF, angled, Pg9



Schematic diagram

Pin assignment, socket, 7/8"-16UNF, 3-pos., view of female side



Address

PHOENIX CONTACT GmbH & Co. KG
Flachmarktstr. 8
32825 Blomberg, Germany
Phone +49 5235 3 00
Fax +49 5235 3 41200
<http://www.phoenixcontact.com>



© 2009 Phoenix Contact
Technical modifications reserved;