

SACC-EC-M12FS-8CON-PG9/0,5

Order No.: 1513761

<http://eshop.phoenixcontact.de/phoenix/treeViewClick.do?UID=1513761>

Sensor/Actuator flush-type socket, 8-pos., M12, A-coded, front/screw mounting with PG9 thread, can be positioned, with 0.5 m TPE litz wire, 8 x 0.25 mm²

Commercial data	
EAN	4017918914691
Pack	1 pcs.
Customs tariff	85444290
Weight/Piece	0.0312 KG
Catalog page information	Page 25 (PC-2009)

Product notes

WEEE/RoHS-compliant since:
11/15/2006



<http://www.download.phoenixcontact.com>
Please note that the data given here has been taken from the online catalog. For comprehensive information and data, please refer to the user documentation. The General Terms and Conditions of Use apply to Internet downloads.

Technical data	
General data	
Nominal current I_N	2 A
Nominal voltage U_N	30 V
Number of positions	8
Volume resistance	$\leq 3 \text{ m}\Omega$

Insulation resistance	≥ 100 MΩ
Length of cable	0.5 m
Ambient temperature (operation)	-25 °C ... 85 °C (plug/socket)
	-25 °C ... 90 °C (cable, fixed installation)
Pg screw connection	Pg9

General characteristics

Coding	A - standard
Inflammability class acc. to UL 94	V0
Surge voltage category	II
Pollution degree	3
Degree of protection	IP67
Contact material	CuZn
Contact surface material	Au
Contact carrier material	PA66 GF
Material, knurls	Zinc die-cast, (nickel-plated)
Sealing material	NBR
Mounting type	Front mounting, Pg9 thread with lock nut
Type of connection	Individual wires
Status display	No

Conductor data

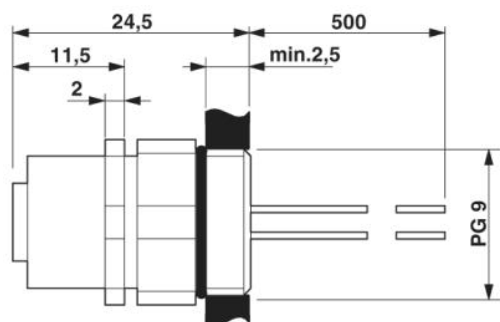
Cable type	TPE litz wire
Conductor cross section	0.25 mm ²
AWG signal line	24
Conductor structure, signal line	14x 0.15 mm
Core diameter including insulation	1.15 mm ±0.07 mm
Thickness, insulation	0.21 mm
Wire colors	Brown, blue, white, gray, pink, green, yellow, red
Insulation resistance	≥ 20 MΩ*km
Conductor resistance	≤ 80 mΩ/m
Nominal voltage, conductor	300 V
Test voltage, conductor	2000 V AC
Material conductor insulation	TPE
Conductor material	Tin-plated Cu litz wires

Accessories

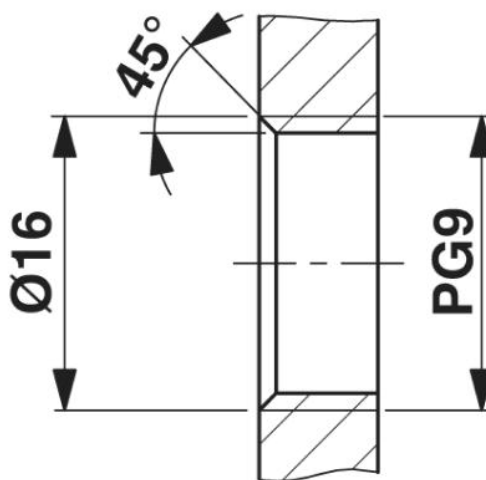
Item	Designation	Description
Assembly		
1504084	SACC-E-MU-PG9	Flat nut with Pg9 thread

Drawings

Dimensioned drawing

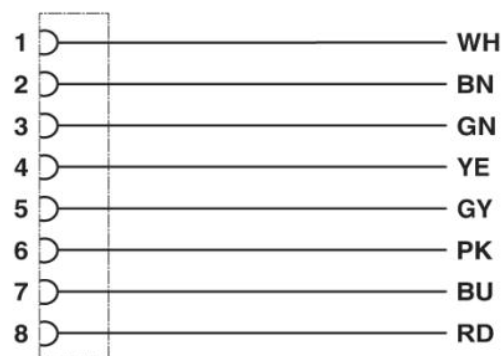


M12 flush-type socket, can be positioned



Housing cutout for Pg9 fastening thread, mounting panel with thread

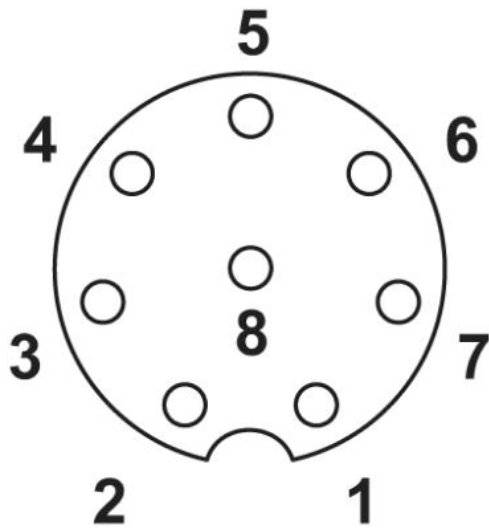
Circuit diagram



Contact assignment of the M12 plug and the M12 socket

Schematic diagram

Pin assignment M12 socket, 8-pos., A-coded, view female side



Address

PHOENIX CONTACT GmbH & Co. KG
Flachmarktstr. 8
32825 Blomberg, Germany
Phone +49 5235 3 00
Fax +49 5235 3 41200
<http://www.phoenixcontact.com>



© 2009 Phoenix Contact
Technical modifications reserved;