

**SAC-5P- 5,0-115/M12FR**

Order No.: 1505300

<http://eshop.phoenixcontact.de/phoenix/treeViewClick.do?UID=1505300>**Commercial data**

|                |               |
|----------------|---------------|
| EAN            | 4017918858001 |
| Pack           | 5 pcs.        |
| Customs tariff | 85444290      |
| Weight/Piece   | 0.1935 KG     |

**Product notes**WEEE/RoHS-compliant since:  
06/01/2005

<http://www.download.phoenixcontact.com>  
Please note that the data given here has been taken from the online catalog. For comprehensive information and data, please refer to the user documentation. The General Terms and Conditions of Use apply to Internet downloads.

**Technical data****General data**

|                                 |  |
|---------------------------------|--|
| Nominal current $I_N$           | 4 A  |
| Nominal voltage $U_N$           | 60 V   |
| Number of positions             | 5  |
| Volume resistance               | $\leq 5 \text{ m}\Omega$   |
| Insulation resistance           | $\geq 100 \text{ M}\Omega$   |
| Length of cable                 | 5 m  |
| Ambient temperature (operation) | -25 °C ... 90 °C (plug/socket)<br>-40 °C ... 80 °C (cable, fixed installation)<br>-5 °C ... 80 °C (cable, flexible installation) |

**General characteristics**

|                                    |   |
|------------------------------------|---|
| Coding                             | A - standard                                |
| Inflammability class acc. to UL 94 | HB  |
| Surge voltage category             | II  |
| Pollution degree                   | 3   |
| Degree of protection               | IP65/IP68/IP69K                             |
| Contact material                   | CuSn  |
| Contact surface material           | Ni/Au                                       |
| Contact carrier material           | TPU GF                                      |
| Material of grip body              | TPU, hardly inflammable, self-extinguishing |
| Material, knurls                   | Zinc die-cast, (nickel-plated)              |
| Sealing material                   | NBR   |
| Status display                     | No  |

**Conductor data**

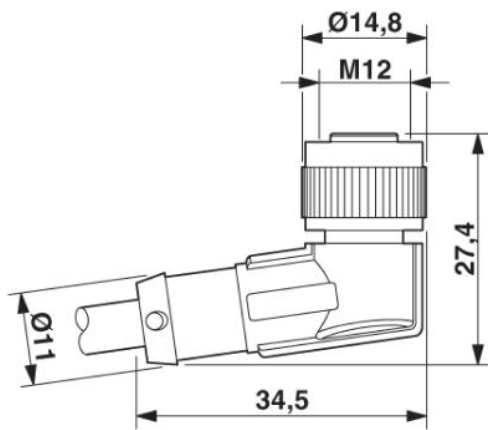
|                                    |                                     |
|------------------------------------|-------------------------------------|
| Cable type                         | PUR halogen-free black              |
| Cable type (abbreviation)          | 115                                 |
| Cable abbreviation                 | Li9Y11Y-HF                          |
| Conductor cross section            | 0.34 mm <sup>2</sup>                |
| AWG signal line                    | 22                                  |
| Conductor structure, signal line   | 42x 0.10 mm                         |
| Core diameter including insulation | 1.27 mm ±0.02 mm                    |
| Thickness, insulation              | Approx. 0.21 mm (Core insulation)   |
|                                    | Approx. 0.7 mm (Outer cable sheath) |
| External cable diameter            | 5 mm ±0.15 mm                       |
| Wire colors                        | Brown, white, blue, black, gray     |
| External sheath, color             | Black-gray RAL 7021                 |
| Insulation resistance              | ≥ 100 GΩ*km                         |
| Conductor resistance               | ≤ 58 Ω/km                           |
| Nominal voltage, conductor         | ≤ 300 V                             |
| Test voltage, conductor            | ≥ 3000 V                            |
| Overall twist                      | 5 cores, twisted                    |
| Outer sheath, material             | PUR                                 |
| Material, filler                   | PP                                  |
| Material conductor insulation      | PP                                  |
| Conductor material                 | Bare Cu litz wires                  |

|                          |                              |
|--------------------------|------------------------------|
| Cable weight             | 35 kg/km                     |
| Number of bending cycles | 4000000                      |
| Bending radius           | 50 mm                        |
| Traversing path          | 10 m                         |
| Traversing rate          | 3 m/s                        |
| Acceleration             | 10 m/s <sup>2</sup>          |
| Flame resistance         | As per UL-Style 20549        |
| Freedom from halogen     | As per DIN VDE 0472 part 815 |

**Drawings**

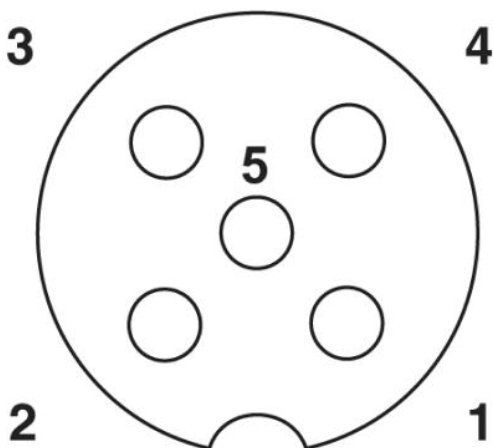
Dimensioned drawing

M12 x 1 female connector, angled



Schematic diagram

Pin assignment M12 socket, 5-pos., A-coded, socket side view



**Address**

PHOENIX CONTACT GmbH & Co. KG  
Flachsmarktstr. 8  
32825 Blomberg, Germany  
Phone +49 5235 3 00  
Fax +49 5235 3 41200  
<http://www.phoenixcontact.com>



© 2009 Phoenix Contact  
Technical modifications reserved;