

## SACC-E-M12MS-8CON-M16 PSCUP

Order No.: 1436408



<http://eshop.phoenixcontact.de/phoenix/treeViewClick.do?UID=1436408>

Sensor/actuator flush-type connector, male, 8-pos., M12, A-coded, front/screw mounting with M16 thread, with solder cups, plastic version

### Commercial data

EAN	4046356438353
Pack	20 pcs.
Customs tariff	85366990
Weight/Piece	0.006335 KG
Catalog page information	Page 36 (PC-2009)

### Product notes

WEEE/RoHS-compliant since:  
08/04/2008



<http://www.download.phoenixcontact.com>  
Please note that the data given here has been taken from the online catalog. For comprehensive information and data, please refer to the user documentation. The General Terms and Conditions of Use apply to Internet downloads.

### Technical data

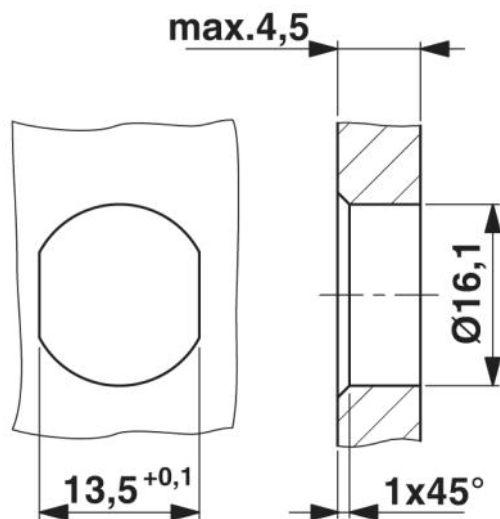
#### General data

Nominal current $I_N$	2 A
Nominal voltage $U_N$	30 V
Number of positions	8
Volume resistance	$\leq 3 \text{ m}\Omega$
Insulation resistance	$\geq 100 \text{ M}\Omega$

Ambient temperature (operation)	-40 °C ... 85 °C (plug/socket)
<b>General characteristics</b>	
Coding	A - standard
Inflammability class acc. to UL 94	HB
Surge voltage category	II
Pollution degree	3
Degree of protection	IP67
Contact material	CuZn
Contact surface material	Au
Contact carrier material	PA 66
Material, knurls	PA 66
Sealing material	NBR
Mounting type	Front mounting, M16 x 1.5 thread
Type of connection	Solder cup
Status display	No

## Drawings

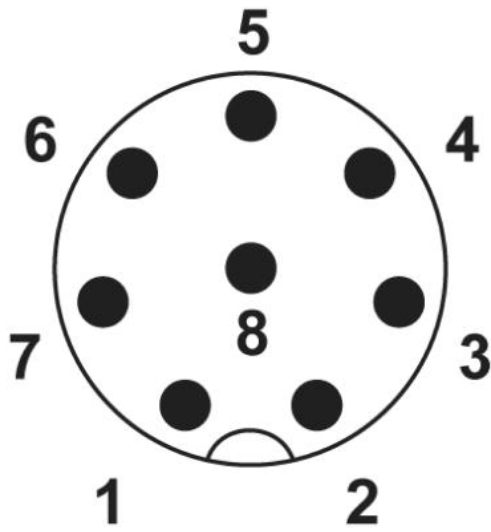
Dimensioned drawing



Housing cutout for M16 fastening thread, mounting panel with feed-through hole (alternatively with surface as protection against rotation)

Schematic diagram

Pin assignment M12 socket, 8-pos., A-coded, view female side



**Address**

PHOENIX CONTACT GmbH & Co. KG  
Flachmarktstr. 8  
32825 Blomberg, Germany  
Phone +49 5235 3 00  
Fax +49 5235 3 41200  
<http://www.phoenixcontact.com>



© 2009 Phoenix Contact  
Technical modifications reserved;