

SACC-E-M12MS-5CON-M16 PSCUP

Order No.: 1436398



<http://eshop.phoenixcontact.de/phoenix/treeViewClick.do?UID=1436398>

Sensor/actuator flush-type connector, male, 5-pos., M12, A-coded, front/screw mounting with M16 thread, with solder cups, plastic version

Commercial data

EAN	4046356438346
Pack	25 pcs.
Customs tariff	85366990
Weight/Piece	0.006108 KG
Catalog page information	Page 36 (PC-2009)

Product notes

WEEE/RoHS-compliant since:
08/04/2008



<http://www.download.phoenixcontact.com>
Please note that the data given here has been taken from the online catalog. For comprehensive information and data, please refer to the user documentation. The General Terms and Conditions of Use apply to Internet downloads.

Technical data

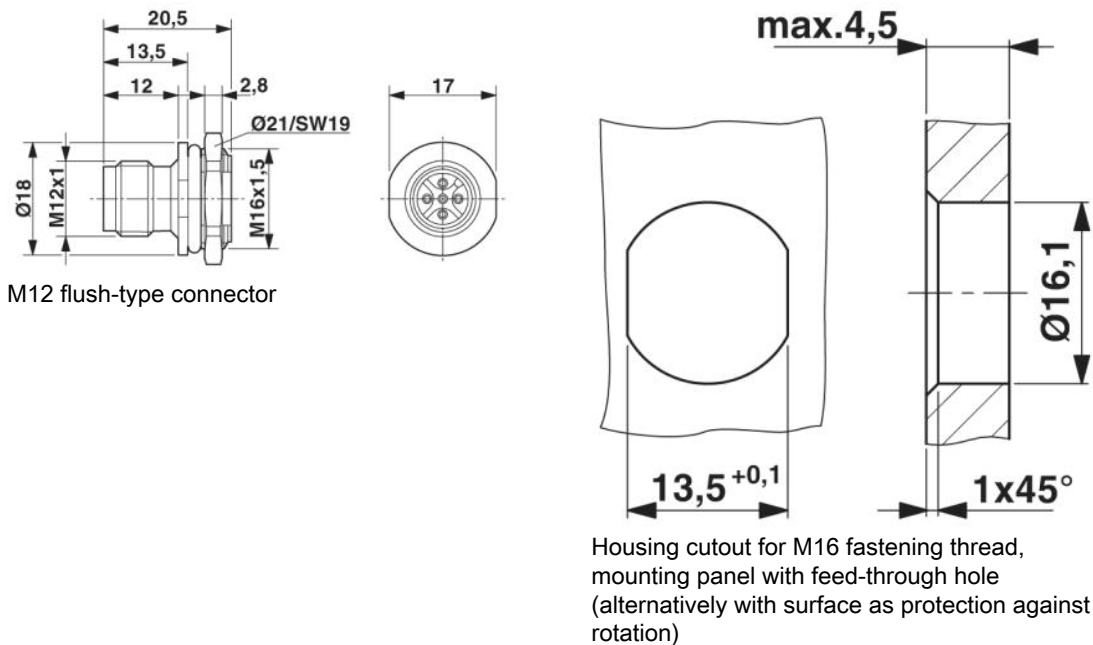
General data

Nominal current I_N	4 A
Nominal voltage U_N	60 V
Number of positions	5
Volume resistance	$\leq 3 \text{ m}\Omega$
Insulation resistance	$\geq 100 \text{ M}\Omega$

Ambient temperature (operation)	-40 °C ... 85 °C (plug/socket)
General characteristics	
Coding	A - standard
Inflammability class acc. to UL 94	HB
Surge voltage category	II
Pollution degree	3
Degree of protection	IP67
Contact material	CuZn
Contact surface material	Au
Contact carrier material	PA 66
Material, knurls	PA 66
Sealing material	NBR
Mounting type	Front mounting, M16 x 1.5 thread
Type of connection	Solder cup
Status display	No

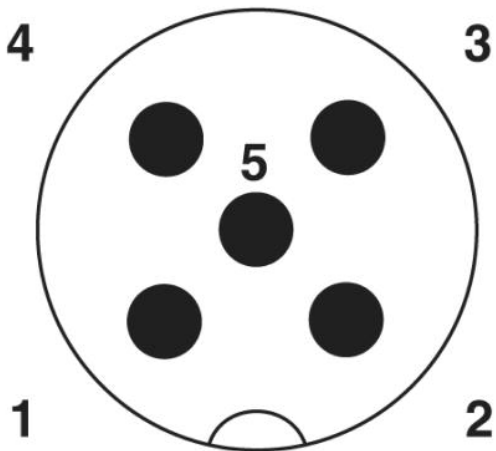
Drawings

Dimensioned drawing



Schematic diagram

Pin assignment M12 male connector, 5-pos., A-coded, male side



Address

PHOENIX CONTACT GmbH & Co. KG
Flachmarktstr. 8
32825 Blomberg, Germany
Phone +49 5235 3 00
Fax +49 5235 3 41200
<http://www.phoenixcontact.com>



© 2009 Phoenix Contact
Technical modifications reserved;