

# SACC-DSI-M12FS-8CON-PG9/0,5 P

Order No.: 1436369

<http://eshop.phoenixcontact.de/phoenix/treeViewClick.do?UID=1436369>

Sensor/Actuator flush-type connector, socket, 8-pos., M12, A-coded, rear/screw mounting with PG9 thread, with 0.5 m TPE litz wire, 8 x 0.25 mm<sup>2</sup>, plastic version

**Commercial data**

EAN	4046356438339
Pack	1 pcs.
Customs tariff	85444290
Weight/Piece	0.022 KG
Catalog page information	Page 37 (PC-2009)

**Product notes**

WEEE/RoHS-compliant since:  
08/04/2008



<http://www.download.phoenixcontact.com>  
Please note that the data given here has been taken from the online catalog. For comprehensive information and data, please refer to the user documentation. The General Terms and Conditions of Use apply to Internet downloads.

**Technical data****General data**

Nominal current I <sub>N</sub>	2 A
Nominal voltage U <sub>N</sub>	30 V
Number of positions	8
Volume resistance	≤ 3 mΩ

Insulation resistance	≥ 100 MΩ
Length of cable	0.5 m
Ambient temperature (operation)	-40 °C ... 85 °C (plug/socket)
	-25 °C ... 90 °C (cable, fixed installation)

#### General characteristics

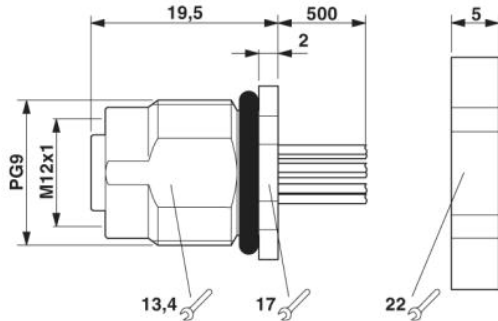
Coding	A - standard
Inflammability class acc. to UL 94	HB
Surge voltage category	II
Pollution degree	3
Degree of protection	IP67
Contact material	CuZn
Contact surface material	Au
Contact carrier material	PA 66
Material, knurls	PA 66
Sealing material	NBR
Mounting type	Rear mounting, Pg9 thread with lock nut
Type of connection	Individual wires
Status display	No

#### Conductor data

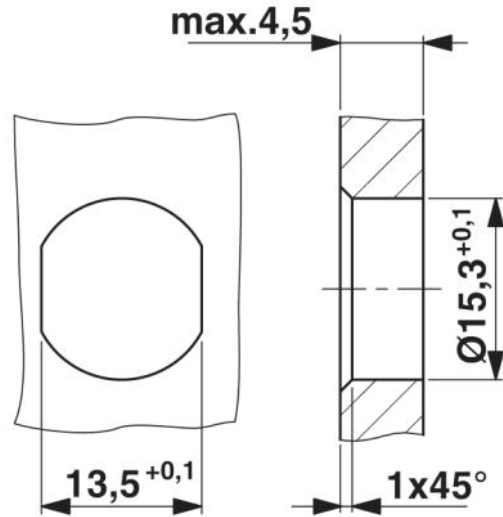
Cable type	TPE litz wire
Conductor cross section	0.25 mm <sup>2</sup>
AWG signal line	24
Conductor structure, signal line	14x 0.15 mm
Core diameter including insulation	1.15 mm ±0.07 mm
Thickness, insulation	0.21 mm
Wire colors	Brown, blue, white, gray, pink, green, yellow, red
Insulation resistance	≥ 20 MΩ*km
Conductor resistance	≤ 80 Ω/km
Nominal voltage, conductor	300 V
Test voltage, conductor	2000 V AC
Material conductor insulation	TPE
Conductor material	Tin-plated Cu litz wires

**Drawings**

Dimensioned drawing

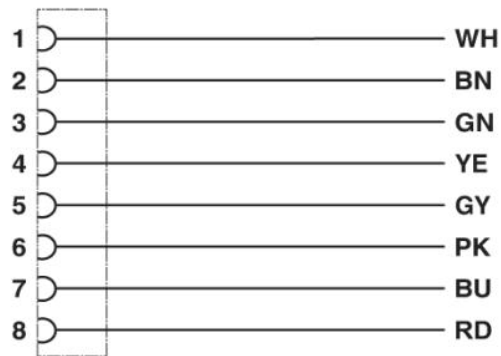


M12 flush-type connector



Housing cutout for M12 fastening thread,  
 mounting panel with feed-through hole  
 (alternative with surface as protection against rotation)

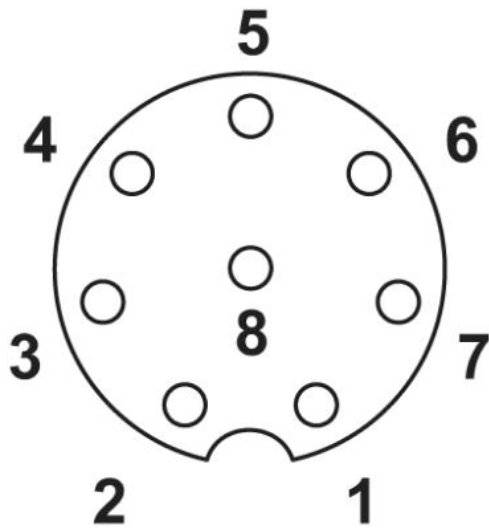
Circuit diagram



Contact assignment of the M12 socket

Schematic diagram

Pin assignment M12 socket, 8-pos., A-coded, view female side



**Address**

PHOENIX CONTACT GmbH & Co. KG  
Flachmarktstr. 8  
32825 Blomberg, Germany  
Phone +49 5235 3 00  
Fax +49 5235 3 41200  
<http://www.phoenixcontact.com>



© 2009 Phoenix Contact  
Technical modifications reserved;