

SACC-DSI-M12FS-5CON-L180P

Order No.: 1436330

<http://eshop.phoenixcontact.de/phoenix/treeViewClick.do?UID=1436330>

Sensor/actuator flush-type connector, socket, 5-pos., M12, A-coded, rear/screw mounting with Pg9 thread, with straight solder connection, plastic version

Commercial data	
EAN	4046356438308
Pack	20 pcs.
Customs tariff	85366990
Weight/Piece	0.007375 KG
Catalog page information	Page 36 (PC-2009)

Product notes

WEEE/RoHS-compliant since:
08/04/2008



<http://www.download.phoenixcontact.com>
Please note that the data given here has been taken from the online catalog. For comprehensive information and data, please refer to the user documentation. The General Terms and Conditions of Use apply to Internet downloads.

Technical data	
General data	
Nominal current I_N	4 A
Nominal voltage U_N	60 V
Number of positions	5
Volume resistance	$\leq 3 \text{ m}\Omega$

Insulation resistance	$\geq 100 \text{ M}\Omega$
Ambient temperature (operation)	-40 °C ... 85 °C (plug/socket)

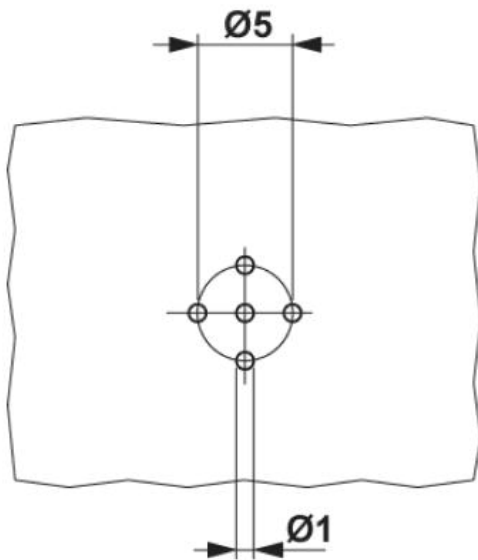
General characteristics

Coding	A - standard
Inflammability class acc. to UL 94	HB
Surge voltage category	II
Pollution degree	3
Degree of protection	IP67
Contact material	CuZn
Contact surface material	Au
Contact carrier material	PA 66
Material, knurls	PA 66
Sealing material	NBR
Mounting type	Rear mounting, Pg9 thread with lock nut
Status display	No

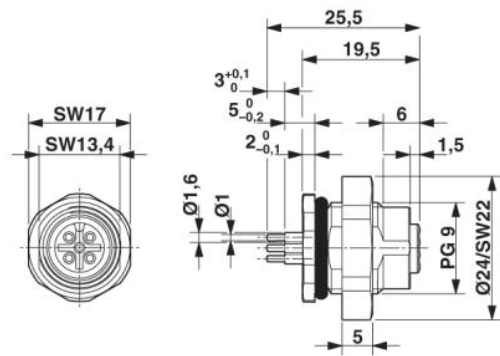
Drawings

Drilling diagram

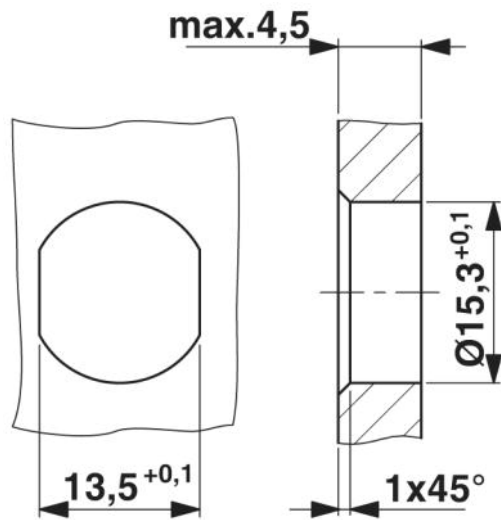
Drilling diagram for SACC-DSI-M12FS-5CON-L180P



Dimensioned drawing

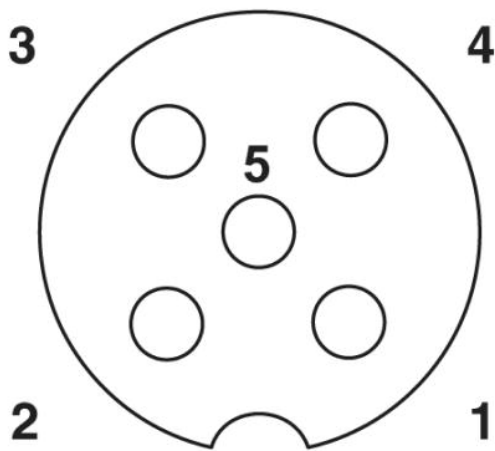


M12 flush-type connector



Housing cutout for M16 fastening thread, mounting panel with feed-through hole (alternatively with surface as protection against rotation)

Schematic diagram



Pin assignment M12 socket, 5-pos., A-coded, socket side view

Address

PHOENIX CONTACT GmbH & Co. KG
Flachmarktstr. 8
32825 Blomberg, Germany
Phone +49 5235 3 00
Fax +49 5235 3 41200
<http://www.phoenixcontact.com>



© 2009 Phoenix Contact
Technical modifications reserved;