

SACC-DSI-FS-17CON-PG9/0,5 SCO

Order No.: 1430462

<http://eshop.phoenixcontact.de/phoenix/treeViewClick.do?UID=1430462>

Sensor/actuator flush-type socket, 17-pos., M12 SPEEDCON, rear/
screw mounting with Pg9 thread, with 0.5 m halogen-free TPE litz wire,
17 x 0.14 mm²

Commercial data

EAN	4046356325820
Pack	1 pcs.
Customs tariff	85444290
Weight/Piece	0.03551 KG
Catalog page information	Page 27 (PC-2009)

Product notes

WEEE/RoHS-compliant since:
10/29/2007



[http://
www.download.phoenixcontact.com](http://www.download.phoenixcontact.com)
Please note that the data given
here has been taken from the
online catalog. For comprehensive
information and data, please refer
to the user documentation. The
General Terms and Conditions of
Use apply to Internet downloads.

Technical data

General data

Nominal current I _N	1.5 A
Nominal voltage U _N	30 V
Number of positions	17
Volume resistance	≤ 3 mΩ

Insulation resistance	≥ 100 MΩ
Length of cable	0.5 m
Ambient temperature (operation)	-25 °C ... 85 °C (plug/socket)
	-25 °C ... 90 °C (cable, fixed installation)

General characteristics

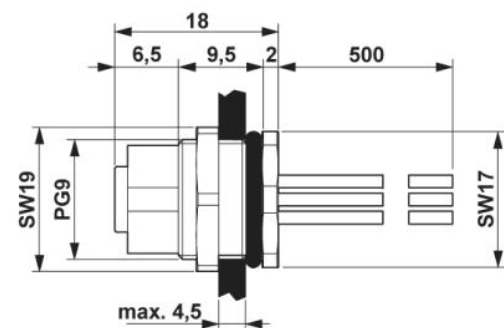
Coding	A - standard
Inflammability class acc. to UL 94	V0
Surge voltage category	II
Pollution degree	3
Degree of protection	IP67
Contact material	CuZn
Contact surface material	Au
Contact carrier material	PA 66
Material, knurls	Zinc die-cast, (nickel-plated)
Sealing material	NBR
Mounting type	Rear mounting, Pg9 thread with flat nut
Type of connection	Individual wires
Status display	No

Conductor data

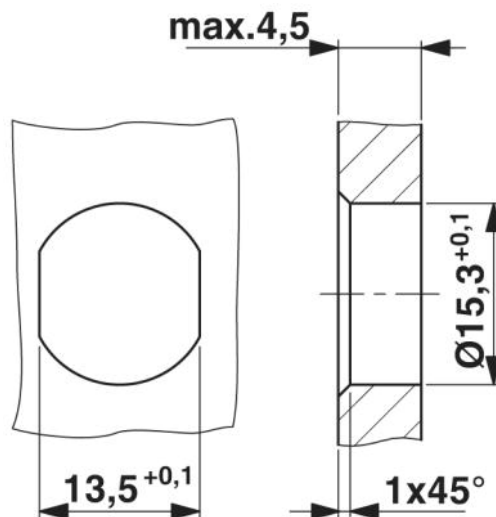
Cable type	TPE litz wire
Conductor cross section	0.14 mm ²
AWG signal line	26
Wire colors	Color-coded DIN 47100
Material conductor insulation	TPE

Drawings

Dimensioned drawing

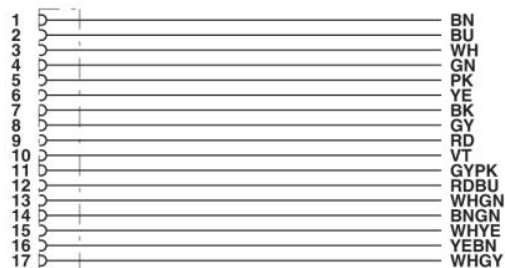


M12 flush-type connector



Housing cutout for Pg9 fastening thread,
 mounting panel with feed-through hole
 (alternatively with surface as protection against rotation)

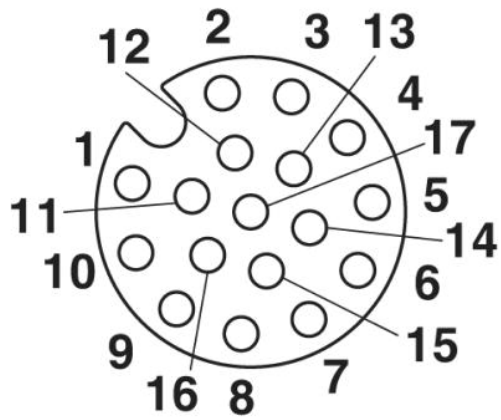
Circuit diagram



Contact assignment of the M12 socket

Schematic diagram

Pin assignment M12, 17-pos., female side view



Address

PHOENIX CONTACT GmbH & Co. KG
Flachmarktstr. 8
32825 Blomberg, Germany
Phone +49 5235 3 00
Fax +49 5235 3 41200
<http://www.phoenixcontact.com>



© 2009 Phoenix Contact
Technical modifications reserved;