

## SACC-M12MRB-5CON-PG 9-SH

Order No.: 1430417

<http://eshop.phoenixcontact.de/phoenix/treeViewClick.do?UID=1430417>

Sensor/actuator connector, connector, angled, 5-pos., M12 shielded, B-coded, screw connection, metal knurl, cable gland Pg9

### Commercial data

EAN	4046356321495
Pack	1 pcs.
Customs tariff	85444290
Weight/Piece	0.06784 KG
Catalog page information	Page 51 (PC-2009)

### Product notes

WEEE/RoHS-compliant since:  
10/09/2007



<http://www.download.phoenixcontact.com>  
Please note that the data given here has been taken from the online catalog. For comprehensive information and data, please refer to the user documentation. The General Terms and Conditions of Use apply to Internet downloads.

### Technical data

#### General data

Nominal current $I_N$	4 A
Nominal voltage $U_N$	60 V
Number of positions	5
Volume resistance	$\leq 3 \text{ m}\Omega$
Insulation resistance	$\geq 100 \text{ M}\Omega$

Ambient temperature (operation)	-40 °C ... 85 °C (plug/socket)
Pg screw connection	Pg9

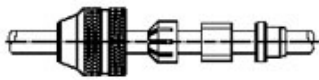
**General characteristics**

Coding	B - inverse
Inflammability class acc. to UL 94	V0
Surge voltage category	II
Pollution degree	3
Degree of protection	IP67
Contact material	CuZn
Contact surface material	Au
Contact carrier material	PA 66
Material of grip body	Zinc die-cast, nickel-plated
Material, knurls	Nickel-plated brass
Sealing material	NBR
Type of connection	Screw connection
Conductor cross section stranded min.	0.25 mm <sup>2</sup>
Conductor cross section stranded max.	0.75 mm <sup>2</sup>
Conductor cross section AWG/kcmil min.	24
Conductor cross section AWG/kcmil max	18
Min. diameter	6 mm
Max. diameter	8 mm
Status display	No

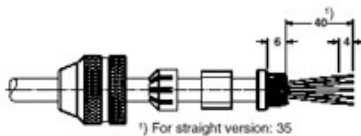
## Drawings

### Functional drawing

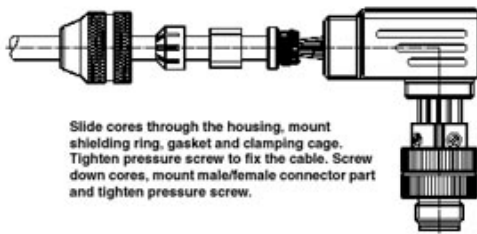
#### Assembly steps for M 12 male/female connector and conductor



Slide parts onto the conductor



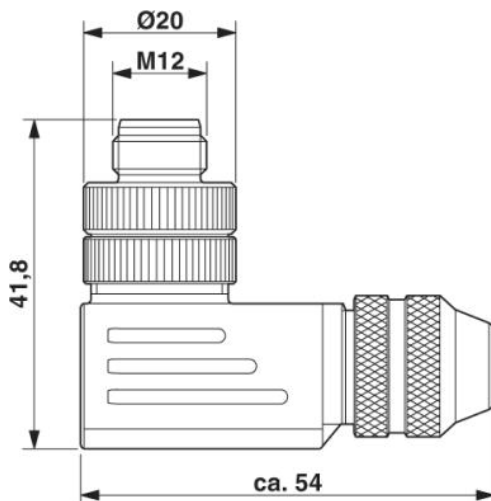
Strip conductor, widen shield and lay around the shielding ring, cut off projecting mesh.



Slide cores through the housing, mount shielding ring, gasket and clamping cage. Tighten pressure screw to fix the cable. Screw down cores, mount male/female connector part and tighten pressure screw.

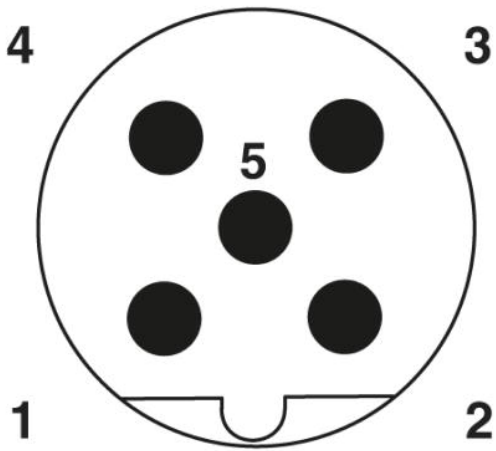
### Dimensioned drawing

M12 x 1 male connector, angled, shielded



Schematic diagram

Pin assignment M12 socket, 5-pos., B-coded, view socket side



**Address**

PHOENIX CONTACT GmbH & Co. KG  
Flachmarktstr. 8  
32825 Blomberg, Germany  
Phone +49 5235 3 00  
Fax +49 5235 3 41200  
<http://www.phoenixcontact.com>



© 2009 Phoenix Contact  
Technical modifications reserved;