

VC-TFS 6

Order No.: 1853476



<http://eshop.phoenixcontact.de/phoenix/treeViewClick.do?UID=1853476>

Contact insert module, for sleeve frames, with screw connection, 6-
pos., 250 V / 10 A

Commercial data	
EAN	4017918132903
Pack	50 pcs.
Customs tariff	85366990
Weight/Piece	0.006275 KG
Catalog page information	Page 354 (PC-2009)

Product notes

WEEE/RoHS-compliant since:
12/15/2005



[http://
www.download.phoenixcontact.com](http://www.download.phoenixcontact.com)
Please note that the data given
here has been taken from the
online catalog. For comprehensive
information and data, please refer
to the user documentation. The
General Terms and Conditions of
Use apply to Internet downloads.

Technical data**General data**

Note	Plug connectors may only be connected/disconnected when under no load.
Connection method	Screw connection
	Screw connection
Tightening torque	0.22 Nm ... 0.25 Nm
Ambient temperature (operation)	-40 °C ... 100 °C
Ambient temperature (assembly)	-40 °C ... 70 °C
Pollution degree	3
Surge voltage category	III
Number of positions	6
Insertion/withdrawal cycles	≥ 100
Design	VC1/-2/-3/-4
Conductor cross section	0.14 mm ² ... 1.5 mm ²
Connection cross section AWG	28 ... 16
Stripping length of the individual wire	6 mm

Material data

Inflammability class acc. to UL 94	V0
Contact material	CuZn
Contact surface material	Tin-plated
Contact carrier material	PA

Electrical characteristics

Rated voltage (III/3)	250 V
Rated surge voltage	4 kV
	4 kV
Rated current	10 A
	10 A

Certificates / Approvals

Certification

CUL, LR, UL

CUL

Nominal voltage U_N	250 V
Nominal current I_N	8 A
AWG/kcmil	30-14

UL

Nominal voltage U_N	250 V
Nominal current I_N	8 A
AWG/kcmil	30-14

Accessories

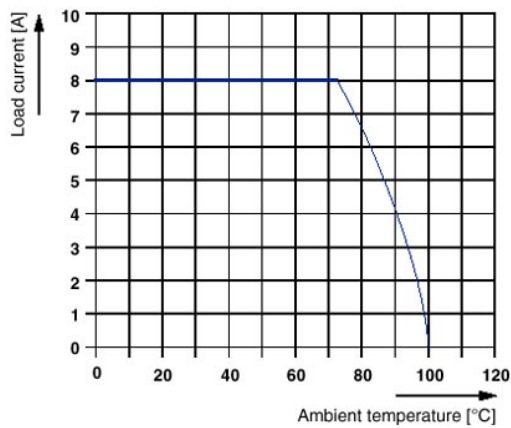
Item	Designation	Description
------	-------------	-------------

Plug/Adapter

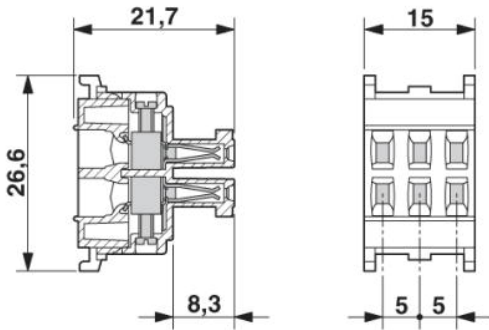
1734634	CP-MSTB	Keying profile, is inserted into the slot on the plug or inverted header, red insulating material
1734634	CP-MSTB	Keying profile, is inserted into the slot on the plug or inverted header, red insulating material

Drawings

Diagram



Dimensioned drawing



Address

PHOENIX CONTACT GmbH & Co. KG
Flachsmarktstr. 8
32825 Blomberg, Germany
Phone +49 5235 3 00
Fax +49 5235 3 41200
<http://www.phoenixcontact.de>



© 2009 Phoenix Contact
Technical modifications reserved;