

## VC-TFS 8

Order No.: 1852820



<http://eshop.phoenixcontact.de/phoenix/treeViewClick.do?UID=1852820>

Contact insert module, for sleeve frames, with screw connection, 8-  
pos., 160 V / 10 A

### Commercial data

EAN	4017918127152
Pack	50 pcs.
Customs tariff	85369010
Weight/Piece	0.007251 KG
Catalog page information	Page 354 (PC-2009)

### Product notes

WEEE/RoHS-compliant since:  
12/15/2005



[http://  
www.download.phoenixcontact.com](http://www.download.phoenixcontact.com)  
Please note that the data given  
here has been taken from the  
online catalog. For comprehensive  
information and data, please refer  
to the user documentation. The  
General Terms and Conditions of  
Use apply to Internet downloads.

### Technical data

#### General data

Note	Plug connectors may only be connected/disconnected when under no load.
------	---

Connection method	Screw connection
	Screw connection
Tightening torque	0.22 Nm ... 0.25 Nm
Ambient temperature (operation)	-40 °C ... 100 °C
Pollution degree	3
Surge voltage category	III
Number of positions	8
Insertion/withdrawal cycles	≥ 100
Design	VC1/-2/-3/-4
Conductor cross section	0.14 mm <sup>2</sup> ... 1.5 mm <sup>2</sup>
Connection cross section AWG	28 ... 16
Stripping length of the individual wire	6 mm

**Material data**

Inflammability class acc. to UL 94	V0
Contact material	CuZn
Contact surface material	Tin-plated
Contact carrier material	PA

**Electrical characteristics**

Rated voltage (III/3)	160 V
Rated surge voltage	2.5 kV
	2.5 kV
Rated current	10 A
	10 A

**Certificates / Approvals**

Certification

CUL, LR, UL

**CUL**

Nominal voltage $U_N$	250 V
Nominal current $I_N$	8 A
AWG/kcmil	30-14

**UL**

Nominal voltage $U_N$	250 V
Nominal current $I_N$	8 A
AWG/kcmil	30-14

**Accessories**

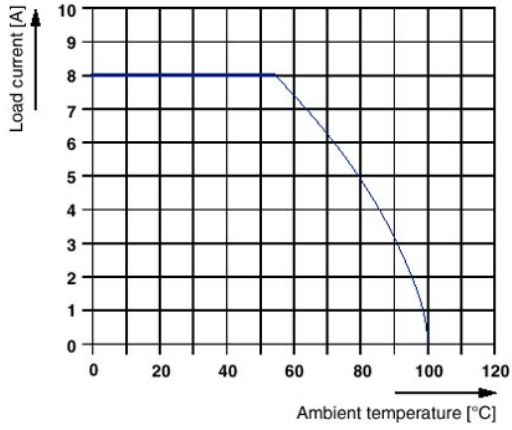
Item	Designation	Description
<b>Marking</b>		
0804073	SK 3,5/2,8:FORTL.ZAHLEN	Marker card, printed horizontally, self-adhesive, 10-section marker strip, 14 identical decades marked 1-10, 11-20 etc. up to 91-100, sufficient for 140 terminal blocks
0804183	SK 5/3,8:FORTL.ZAHLEN	Marker card, printed horizontally, self-adhesive, 12 identical decades marked 1-10, 11-20 etc. up to 91-(99)100, sufficient for 120 terminal blocks
0804455	SK 7,5/3,8:FORTL.ZAHLEN	Marker card, self-adhesive, 10-section marker strip, 12 identical decades marked 1-10, 11-20 etc. up to 91-100, sufficient for 120 terminal blocks
0803906	SK U/3,8 WH:UNBEDRUCKT	Unprinted marker cards, DIN A4 format, pitch as desired, self-adhesive, with 40 stamped marker strips, 185 mm strip length, can be labeled with the CMS system or manually with the M-PEN
0803922	SK U/5,0 WH:UNBEDRUCKT	Unprinted marker cards, DIN A4 format, pitch as desired, self-adhesive, with 35 stamped marker strips, 185 mm strip length, can be labeled with the CMS system or manually with the M-PEN

**Plug/Adapter**

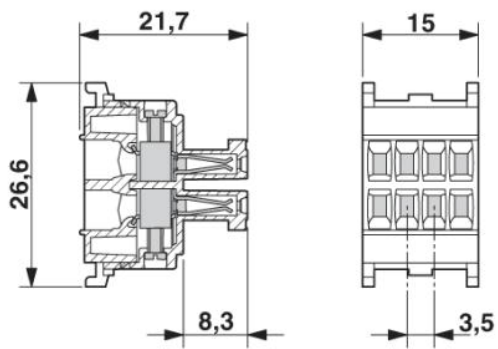
1600027	CP-HCC 4	Keying profile for contact inserts, Color: red
1734634	CP-MSTB	Keying profile, is inserted into the slot on the plug or inverted header, red insulating material
1734634	CP-MSTB	Keying profile, is inserted into the slot on the plug or inverted header, red insulating material

## Drawings

### Diagram



### Dimensioned drawing



**Address**

PHOENIX CONTACT GmbH & Co. KG  
Flachsmarktstr. 8  
32825 Blomberg, Germany  
Phone +49 5235 3 00  
Fax +49 5235 3 41200  
<http://www.phoenixcontact.com>



© 2009 Phoenix Contact  
Technical modifications reserved;