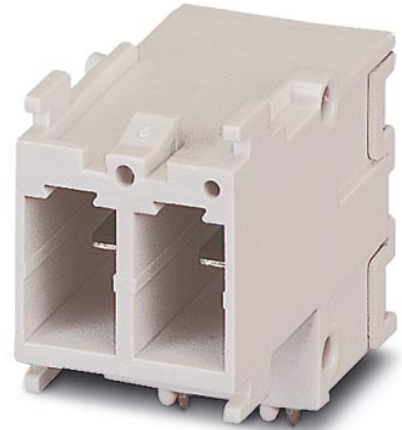


VC-AML 2

Order No.: 1852859

<http://eshop.phoenixcontact.de/phoenix/treeViewClick.do?UID=1852859>

Contact insert module, for panel mounting frames, with 90° PCB connection, 2-pos., 400 V / 20 A

Commercial data	
EAN	4017918127190
Pack	50 pcs.
Customs tariff	85369010
Weight/Piece	0.00523 KG
Catalog page information	Page 355 (PC-2009)

Product notes

WEEE/RoHS-compliant since:
12/15/2005



<http://www.download.phoenixcontact.com>
Please note that the data given here has been taken from the online catalog. For comprehensive information and data, please refer to the user documentation. The General Terms and Conditions of Use apply to Internet downloads.

Technical data	
General data	
Note	Plug connectors may only be connected/disconnected when under no load.

Connection method	Solder connection
	Solder connection
Ambient temperature (operation)	-40 °C ... 100 °C
Pollution degree	3
Surge voltage category	III
Number of positions	2
Insertion/withdrawal cycles	≥ 100
Pin dimensions	1 x 0,8 mm
Design	VC1 ... VC4
Connection in acc. with standard	IEC / EN

Material data

Inflammability class acc. to UL 94	V0
Contact material	CuZn
Contact surface material	Tin-plated
Contact carrier material	PA

Electrical characteristics

Rated voltage (III/3)	400 V
Rated surge voltage	6 kV
	6 kV
Rated current	20 A

Certificates / Approvals

Certification

CUL, GOST, LR, UL

CUL

Nominal voltage U_N	600 V
Nominal current I_N	20 A

UL

Nominal voltage U_N	600 V
Nominal current I_N	20 A

Accessories

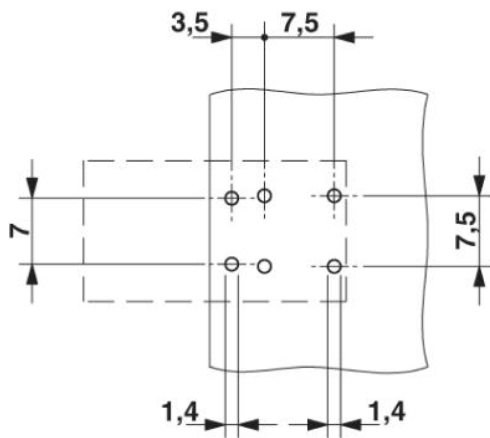
Item	Designation	Description
------	-------------	-------------

Plug/Adapter

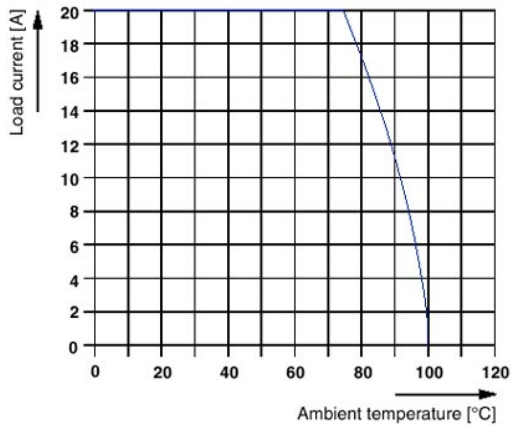
1600027	CP-HCC 4	Keying profile for contact inserts, Color: red
---------	----------	--

Drawings

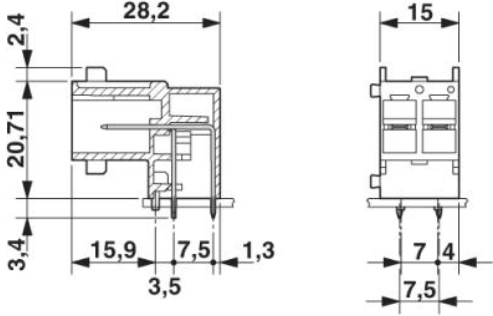
Drilling diagram



Diagram



Dimensioned drawing



Address

PHOENIX CONTACT GmbH & Co. KG
Flachsmarktstr. 8
32825 Blomberg, Germany
Phone +49 5235 3 00
Fax +49 5235 3 41200
<http://www.phoenixcontact.com>



© 2009 Phoenix Contact
Technical modifications reserved;