

Class I, Division 2 PLC-RELAYS

SPDT Electromechanical Relays & Opto-couplers

Data Sheet 1477F

June 2006

Features

- Listed for Class I, Division 2
- Only 6.2 mm (.244 in.) wide
- DIN-rail mountable
- Polarity protected (DC versions)
- Inductive kickback protection
- LED status indication
- Time saving plug-in jumper system
- Flexible, modular design

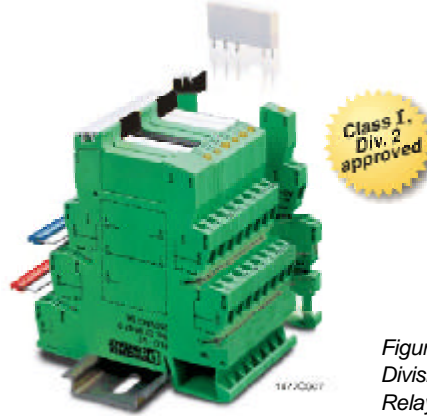


Figure 1. PLC-RSC Class I, Division 2 Electromechanical Relays and Opto-couplers

Description

The Class I, Division 2 PLC-Relays are space saving, pluggable, compact interface relays designed for use in Class I, Division 2 applications. The numerous voltage economical adaptability to your control system.

These devices are UL/cUL Listed as process control equipment for use in Class I, Zone 2 and Class I, Division 2 Hazardous Locations.

This family of PLC-Relays can help eliminate the need for expensive explosion proof/purged enclosures and further expands Phoenix Contact's role in the hazardous location control industry.

Note:

All electromechanical relays mentioned above are SPDT. For specifications on the Class I, Division 2, 24 V dc, DPDT PLC Relay, please see data sheet 2051A for P/N 29 80 46 1.

Ordering Information

| Description | Type | Part Number |
|--------------------------------------|------------------------------|-------------|
| Electromechanical (Screw Terminals) | PLC-RSC-12DC/21 C1D2 | 56 06 33 1 |
| | PLC-RSC-24DC/21 C1D2 | 56 03 15 4 |
| | PLC-RSC-120UC/21 C1D2 | 56 03 15 7 |
| Electromechanical (Spring Terminals) | PLC-RSP-12DC/21 C1D2 | 56 06 33 2 |
| | PLC-RSP-24DC/21 AEX | 56 03 68 4 |
| | PLC-RSP-120UC/21 AEX | 56 03 68 3 |
| Opto-couplers (Screw Terminals) | PLC-OSC-24DC/24DC/2 C1D2 | 56 03 26 0 |
| | PLC-OSC-24DC/48DC/100C1D2 | 56 03 26 1 |
| | PLC-OSC-120UC/24DC/2 C1D2 | 56 03 26 2 |
| | PLC-OSC-120UC/-48DC/100 C1D2 | 56 03 26 3 |
| Power distribution block | PLC-ESK GY | 29 66 50 8 |
| Partition plate | PLC-ATP BK | 29 66 84 1 |
| 2 position snap-in jumper (Red) | FBST 6-PLC RD | 29 66 23 6 |
| 2 position snap-in jumper (Blue) | FBST 6-PLC BU | 29 66 81 2 |
| 2 position snap-in jumper (Grey) | FBST 6-PLC GY | 29 66 82 5 |
| 19" snap-in jumper (Red) | FBST-500-PLC RD | 29 66 78 6 |
| 19" snap-in jumper (Blue) | FBST-500-PLC BU | 29 66 69 2 |
| 19" snap-in jumper (Grey) | FBST-500-PLC GY | 29 66 83 8 |
| 19" snap-in jumper (Brown) | FBST-500-PLC BN | 29 67 97 6 |
| Marker strip, 10-section, un-printed | ZB:10 UNPRINTED | 10 53 00 1 |

Class I, Division 2 PLC-RELAYS

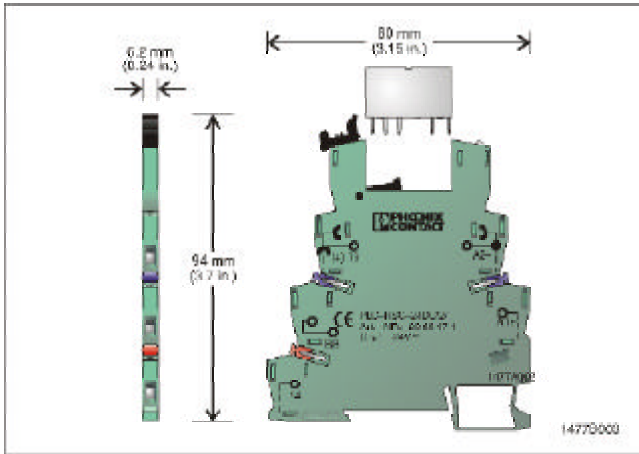


Figure 2. PLC-RELAYS Dimensions

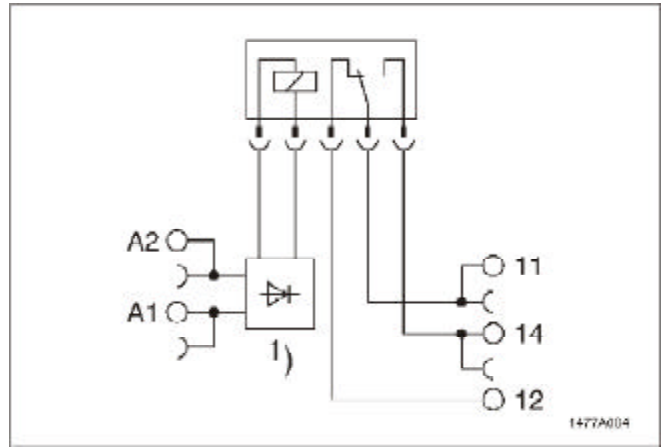


Figure 3. Mechanical Relay SPDT Terminal Assignments

Table 1. PLC-RELAYS General Specifications

| | |
|-----------------------------------|------------------------|
| Technical Data | |
| Input Data | |
| Input coil voltages | 24 V dc, 120 V ac |
| Output Data | |
| Limiting continuous current | 6 A, 100 mA, 2 A |
| General Data | |
| Maximum wire size | 26-14 AWG |
| Ambient temperature range | -20°C up to +60°C |
| Mechanical life | 10 ⁷ cycles |
| Dimensions | |
| Height | 3.7 in. (94 mm) |
| Width | 0.24 in. (6.2 mm) |
| Depth | 3.15 in. (80 mm) |

1477B002

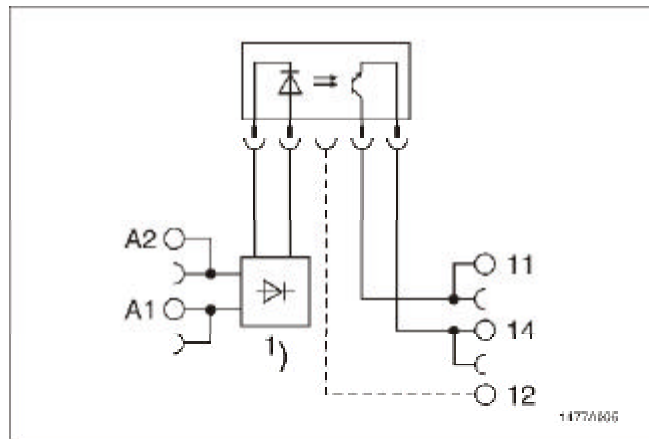


Figure 4. Solid State Relay Terminal Assignments

The information given herein is based on data believed to be reliable, but Phoenix Contact makes no warranties expressed or implied as to its accuracy and assumes no liability arising out of its use by others. This publication is not to be taken as a license to operate under, or recommendation to infringe, any patent.

Headquarters, Canada

PHOENIX CONTACT Ltd.
235 Watline Avenue
Mississauga, Ontario L4Z 1P3
Phone: 905-890-2820
Fax: 905-890-0180

Technical Service
Phone: 800-890-2828

Headquarters, U.S.

PHOENIX CONTACT
P.O. Box 4100
Harrisburg, PA 17111-0100
Phone: 800-888-7388
717-944-1300

Fax: 717-944-1625
Email: info@phoenixcon.com
Website: www.phoenixcon.com

Technical Service
Phone: 800-322-3225

