

# FLKM S135-454-4UA/S400 - Front adapters



2314859

<https://www.phoenixcontact.com/in/products/2314859>

Please be informed that the data shown in this PDF document is generated from our Online Catalog. Please find the complete data in the user documentation. Our General Terms of Use for Downloads are valid.



The FLKM S135/S400 adapter connects a SIMATIC® S5 plug directly to the SIMATIC® S7 400 base board. Conversion: 6ES5 454-4UA14 to 6ES7 422 1BH11-0AA0

## Commercial Data

|                                      |                                |
|--------------------------------------|--------------------------------|
| Item number                          | 2314859                        |
| Packing unit                         | 1 pc                           |
| Minimum order quantity               | 1 pc                           |
| Note                                 | Made to Order (non-returnable) |
| Sales Key                            | CK2                            |
| Product Key                          | CK2118                         |
| Catalog Page                         | Page 561 (C-5-2017)            |
| GTIN                                 | 4046356155311                  |
| Weight per Piece (including packing) | 341.2 g                        |
| Weight per Piece (excluding packing) | 334.6 g                        |
| Customs tariff number                | 85369010                       |
| Country of origin                    | DE                             |

# FLKM S135-454-4UA/S400 - Front adapters



2314859

<https://www.phoenixcontact.com/in/products/2314859>

## Technical Data

### Product properties

|              |               |
|--------------|---------------|
| Product type | Front adapter |
|--------------|---------------|

### Insulation characteristics

|                      |    |
|----------------------|----|
| Overvoltage category | II |
| Pollution degree     | 2  |

### Electrical properties

|                                    |  |
|------------------------------------|--|
| Max. permissible operating voltage | 60 V DC  |
| Max. permissible current           | 4 A (per path)<br>4 A (per connection, supply via separate power supply) |
| Rated insulation voltage           | 63 V   |
| Rated surge voltage                | 0.6 kV (Functional insulation)   |

### Supported controller SIEMENS S5-135 U

|                   |                |
|-------------------|----------------|
| Suitable I/O card | 6ES5 454-4UA14 |
|-------------------|----------------|

### Connection data

#### Field level

|                   |                            |
|-------------------|----------------------------|
| Connection method | SIEMENS S5-135 U pin strip |
|-------------------|----------------------------|

### Environmental and real-life conditions

#### Ambient conditions

|   |                  |
|---|------------------|
| Degree of protection                    | IP00             |
| Ambient temperature (operation)         | -20 °C ... 50 °C |
| Ambient temperature (storage/transport) | -20 °C ... 70 °C |

### Standards and regulations

|                       |                           |
|-----------------------|---------------------------|
| Standards/regulations | IEC 60664<br>DIN EN 50178 |
|-----------------------|---------------------------|

### Mounting

|                   |     |
|-------------------|-----|
| Mounting position | any |
|-------------------|-----|

### Notes

|                    |   |
|--------------------|---|
| Notes on operation | The LEDs of the S7-400 module are hidden. |
|--------------------|---|

# FLKM S135-454-4UA/S400 - Front adapters

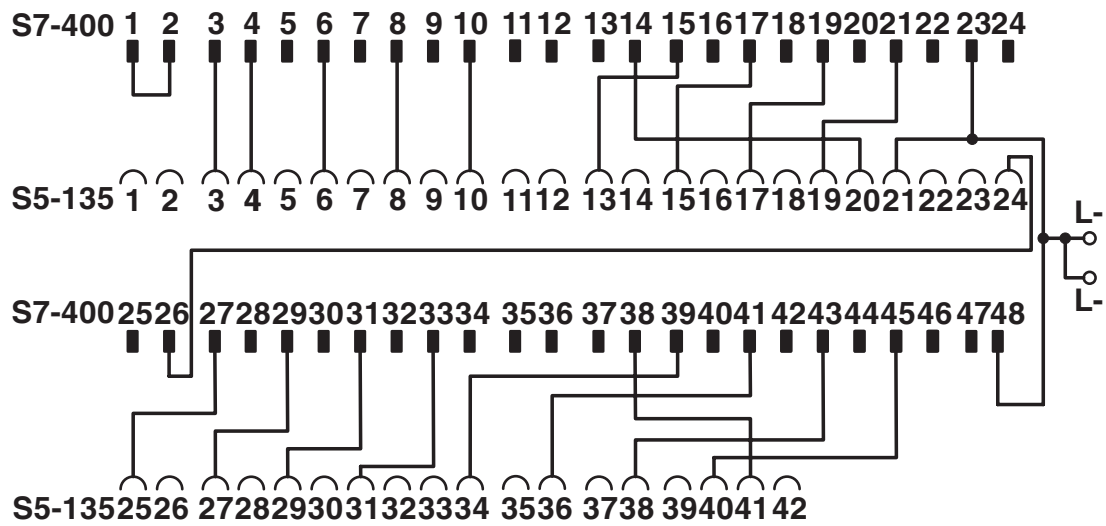


2314859

<https://www.phoenixcontact.com/in/products/2314859>

## Drawings

Circuit diagram



# FLKM S135-454-4UA/S400 - Front adapters



2314859

<https://www.phoenixcontact.com/in/products/2314859>

## Classifications

### ECLASS

ECLASS-11.0

27242292

### ETIM

ETIM 7.0

EC002584

# FLKM S135-454-4UA/S400 - Front adapters



2314859

<https://www.phoenixcontact.com/in/products/2314859>

## Environmental Product Compliance

|            |  |
|------------|--|
| China RoHS | Environmentally Friendly Use Period = 50 years<br>For information on hazardous substances, refer to the manufacturer's declaration available under "Downloads" |
|------------|--|

Phoenix Contact 2023 © - all rights reserved  
<https://www.phoenixcontact.com>

PHOENIX CONTACT (I) Pvt. Ltd.  
A-58/2, Okhla Industrial Area, Phase - II, New Delhi-110 020

+91.1275.71420  
[info@phoenixcontact.co.in](mailto:info@phoenixcontact.co.in)