

# ELR H3-I-PT- 24DC/500AC-0,6 - Hybrid motor starter



2903920

<https://www.phoenixcontact.com/in/products/2903920>

Please be informed that the data shown in this PDF document is generated from our Online Catalog. Please find the complete data in the user documentation. Our General Terms of Use for Downloads are valid.



Hybrid motor starter for starting 3~ AC motors up to 500 V AC and 0.6 A output current, with 24 V DC control voltage, adjustable overload shutdown, and push-in connection.

## Commercial Data

Item number	2903920
Packing unit	1 pc
Minimum order quantity	1 pc
Sales Key	CK7
Product Key	CK7421
Catalog Page	Page 35 (C-5-2019)
GTIN	4046356771436
Weight per Piece (including packing)	275.1 g
Weight per Piece (excluding packing)	217.7 g
Customs tariff number	85371098
Country of origin	DE

## Technical Data

### Product properties

Product type	Hybrid motor starter
Product family	CONTACTRON
Operating mode	100% operating factor

### Electrical properties

Number of phases	3
Motor starter type	Direct starter
Maximum power dissipation for nominal condition	0.4 W
Switching frequency	≤ 2 Hz (Load-dependent)
Maximum power dissipation	1.5 W
Minimum power dissipation	1.1 W
Coordination type	1

### Supply

Rated control circuit supply voltage $U_S$	24 V DC
Control supply voltage range	19.2 V DC ... 30 V DC
Rated control supply current $I_S$	40 mA
Protective circuit	Surge protection
	Reverse polarity protection

### Insulation characteristics

Rated insulation voltage	500 V
Rated surge voltage	6 kV
Overvoltage category	III
Degree of pollution	2
Insulation characteristics between the control input and control supply voltage, and auxiliary circuit to the main circuit	Safe isolation (IEC 60947-1) at operating voltage ≤ 300 V AC (e. g., 230/400 V AC, 277/480 V AC)
	Basic insulation (IEC 60947-1) at operating voltage 300 V AC ... 500 V AC
Isolation characteristics between the control input and control supply voltage to auxiliary circuit	Safe isolation (IEC 60947-1) in the auxiliary circuit ≤ 300 V AC

### Input data

#### Control

Input name	Control input
Rated actuating voltage $U_C$	24 V DC
Triggering voltage range	19.2 V DC ... 30 V DC
Rated actuating current $I_C$	5 mA (Input type 1)
Switching threshold	9.6 V ("0" signal)
	19.2 V ("1" signal)
Typical turn-off time	< 30 ms
Protective circuit	Reverse polarity protection

## Output data

### AC output

Rated operating voltage $U_e$	500 V AC
Operating voltage range	42 V AC ... 550 V AC
Rated operating current $I_e$	0.6 A (AC-51)
	0.6 A (AC-53a)
Mains frequency	50/60 Hz
Load current range	75 mA ... 600 mA (see to derating)
Trigger characteristic in acc. with IEC 60947-4-2	Class 10A
Cooling time	20 min. (for auto reset)
Leakage current	0 mA
Protective circuit	Surge protection

### Acknowledge output

Note	Confirmation: floating change-over contact, signal contact
Contact type	1 changeover contact
Switching capacity in accordance with IEC 60947-5-1	3 A (230 V, AC15)
	2 A (24 V, DC13)

## Connection data

### Control circuits

Connection method	Push-in connection
Stripping length	10 mm
Conductor cross section rigid	0.2 mm <sup>2</sup> ... 2.5 mm <sup>2</sup>
Conductor cross section flexible	0.2 mm <sup>2</sup> ... 2.5 mm <sup>2</sup>
Conductor cross section AWG	24 ... 14

### Load circuit

Connection method	Push-in connection
Stripping length	10 mm
Conductor cross section rigid	0.2 mm <sup>2</sup> ... 2.5 mm <sup>2</sup>
Conductor cross section flexible	0.2 mm <sup>2</sup> ... 2.5 mm <sup>2</sup>
Conductor cross section AWG	24 ... 14

## Signaling

Status display	Yellow LED
Operating voltage display	Green LED
Error indication	Red LED

## Dimensions

Width	22.5 mm
Height	107.5 mm
Depth	114 mm

## Material specifications

Flammability rating according to UL 94	V0 (Housing)
--	--------------

## Environmental and real-life conditions

### Ambient conditions

Degree of protection	IP20
Ambient temperature (operation)	-25 °C ... 70 °C (observe derating)
Ambient temperature (storage/transport)	-40 °C ... 80 °C
Altitude	≤ 2000 m

## Approval data

### UKCA

Certificate	UKCA-compliant
-------------	----------------

### UL approval

Certificate	NLDX.E228652
-------------	--------------

### UL data

SCCR	100 kA (500 V AC (fuse: 30 A class CC/30 A class J (high fault)))
	5 kA (500 V AC (fuse: 20 A RK5 (standard fault)))
FLA	0.6 A (500 V AC)
Group installation	20 A (class RK5, SCCR 5kA, #24 - 14 AWG max. solid and stranded)
	30 A (class CC or J, SCCR 100kA, #24 - 14 AWG max, solid and stranded)
Category code	NLDX / NRNT

## Standards and regulations

### Standards/regulations

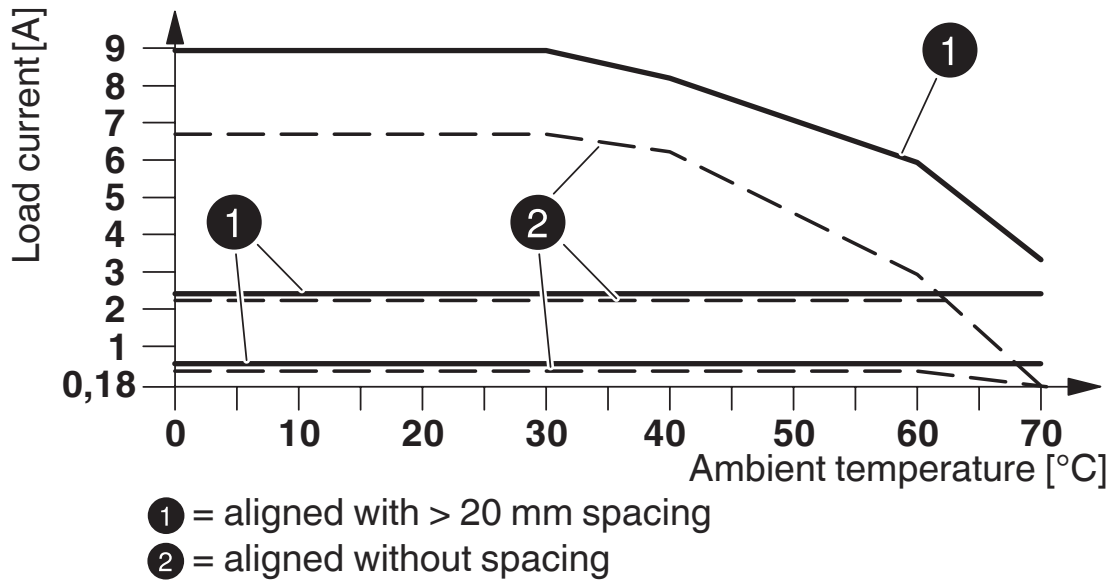
Standards/regulations	IEC 60947-1
	IEC 60947-4-2

## Mounting

Mounting type	DIN rail mounting
Assembly instructions	alignable, for spacing see derating
Mounting position	vertical (horizontal DIN rail, motor output below)

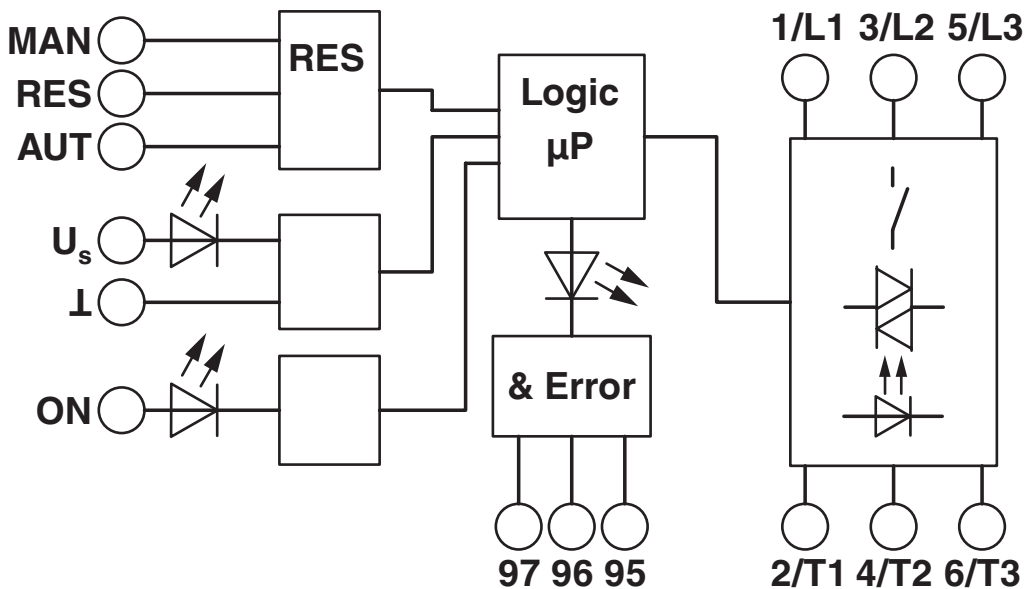
Drawings

Diagram



Derating diagram

Block diagram



# ELR H3-I-PT- 24DC/500AC-0,6 - Hybrid motor starter



2903920

<https://www.phoenixcontact.com/in/products/2903920>

## Approvals



**IECEE CB Scheme**

Approval ID: DE1-55728



**EAC**

Approval ID: RU\*C-DE.\*08.B.00520\*



**UL Listed**

Approval ID: FILE E 323771



**CCC**

Approval ID: 2016010304871315



**cUL Listed**

Approval ID: FILE E 323771



**cUL Listed**

Approval ID: FILE E 228652



**UL Listed**

Approval ID: FILE E 228652

2903920

<https://www.phoenixcontact.com/in/products/2903920>

## Classifications

### ECLASS

ECLASS-11.0	27370905
ECLASS-12.0	Hybridmotorstarter
ECLASS-12.0	Hybridmotorstarter
ECLASS-12.0	Hybridmotorstarter

### ETIM

ETIM 8.0	EC001037
----------	----------

### UNSPSC

UNSPSC 21.0	25173900
-------------	----------

# ELR H3-I-PT- 24DC/500AC-0,6 - Hybrid motor starter



2903920

<https://www.phoenixcontact.com/in/products/2903920>

## Environmental Product Compliance

REACH SVHC	Lead 7439-92-1
China RoHS	Environmentally Friendly Use Period = 50 years
	For information on hazardous substances, refer to the manufacturer's declaration available under "Downloads"



2903920

<https://www.phoenixcontact.com/in/products/2903920>

## Accessories

### US-EMLP (15X5) - Plastic label

0828790

<https://www.phoenixcontact.com/in/products/0828790>



Plastic label, Card, white, unlabeled, can be labeled with: BLUEMARK ID COLOR, BLUEMARK ID, THERMOMARK PRIME, THERMOMARK CARD 2.0, THERMOMARK CARD, mounting type: adhesive, lettering field size: 15 x 5 mm, Number of individual labels: 189

---

### UC-EMLP (15X5) - Plastic label

0819301

<https://www.phoenixcontact.com/in/products/0819301>



Plastic label, Sheet, white, unlabeled, can be labeled with: BLUEMARK ID COLOR, BLUEMARK ID, BLUEMARK CLED, PLOTMARK, CMS-P1-PLOTTER, mounting type: adhesive, lettering field size: 15 x 5 mm, Number of individual labels: 10

# ELR H3-I-PT- 24DC/500AC-0,6 - Hybrid motor starter



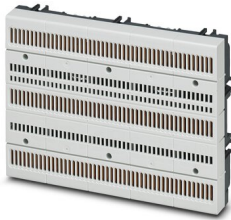
2903920

<https://www.phoenixcontact.com/in/products/2903920>

## EM-CPS-225 - Power distribution board

1002634

<https://www.phoenixcontact.com/in/products/1002634>



Modular power distribution board with CrossLink<sup>®</sup> interface, 125 A, 3-pos., touch-proof and protection against polarity reversal, width: 225 mm

---

## EM-CPS-405 - Power distribution board

1002635

<https://www.phoenixcontact.com/in/products/1002635>



Modular power distribution board with CrossLink<sup>®</sup> interface, 125 A, 3-pos., touch-proof and protection against polarity reversal, width: 405 mm

# ELR H3-I-PT- 24DC/500AC-0,6 - Hybrid motor starter



2903920

<https://www.phoenixcontact.com/in/products/2903920>

## EM-CPS-TB3/63A - Connection module

1002633

<https://www.phoenixcontact.com/in/products/1002633>



Connection module with integrated spring-loaded terminals for cables from 1.5 to 16 mm<sup>2</sup>, 3-pos., maximum 63 A

---

## EM-CPS-DA-22,5F/16A - Adapter

1002668

<https://www.phoenixcontact.com/in/products/1002668>



Device adapter with fuse holder for 16 A fuse (10x38/Class CC), CrossLink<sup>®</sup> interface and fixed DIN rail

# ELR H3-I-PT- 24DC/500AC-0,6 - Hybrid motor starter



2903920

<https://www.phoenixcontact.com/in/products/2903920>

## BRIDGE-PT 1 - Bridge

1161777

<https://www.phoenixcontact.com/in/products/1161777>

3-phase loop bridge for 1 CONTACTRON module, with Push-in connection and 22.5 mm housing width, connecting cable: 3 m



---

## BRIDGE-PT 2 - Bridge

2904490

<https://www.phoenixcontact.com/in/products/2904490>

3-phase loop bridge for 2 CONTACTRON modules, with Push-in connection and 22.5 mm housing width, connecting cable: 3 m



# ELR H3-I-PT- 24DC/500AC-0,6 - Hybrid motor starter



2903920

<https://www.phoenixcontact.com/in/products/2903920>

## BRIDGE-PT 3 - Bridge

2904491

<https://www.phoenixcontact.com/in/products/2904491>

3-phase loop bridge for 3 CONTACTRON modules, with Push-in connection and 22.5 mm housing width, connecting cable: 3 m



---

## BRIDGE-PT 4 - Bridge

2904492

<https://www.phoenixcontact.com/in/products/2904492>

3-phase loop bridge for 4 CONTACTRON modules, with Push-in connection and 22.5 mm housing width, connecting cable: 3 m



# ELR H3-I-PT- 24DC/500AC-0,6 - Hybrid motor starter



2903920

<https://www.phoenixcontact.com/in/products/2903920>

## BRIDGE-PT 5 - Bridge

2904493

<https://www.phoenixcontact.com/in/products/2904493>

3-phase loop bridge for 5 CONTACTRON modules, with Push-in connection and 22.5 mm housing width, connecting cable: 3 m



---

## BRIDGE-PT 6 - Bridge

2904494

<https://www.phoenixcontact.com/in/products/2904494>

3-phase loop bridge for 6 CONTACTRON modules, with Push-in connection and 22.5 mm housing width, connecting cable: 3 m



# ELR H3-I-PT- 24DC/500AC-0,6 - Hybrid motor starter



2903920

<https://www.phoenixcontact.com/in/products/2903920>

## BRIDGE-PT 7 - Bridge

2904495

<https://www.phoenixcontact.com/in/products/2904495>

3-phase loop bridge for 7 CONTACTRON modules, with Push-in connection and 22.5 mm housing width, connecting cable: 3 m



---

## BRIDGE-PT 8 - Bridge

2904496

<https://www.phoenixcontact.com/in/products/2904496>

3-phase loop bridge for 8 CONTACTRON modules, with Push-in connection and 22.5 mm housing width, connecting cable: 3 m



# ELR H3-I-PT- 24DC/500AC-0,6 - Hybrid motor starter



2903920

<https://www.phoenixcontact.com/in/products/2903920>

## BRIDGE-PT 9 - Bridge

2904497

<https://www.phoenixcontact.com/in/products/2904497>

3-phase loop bridge for 9 CONTACTRON modules, with Push-in connection and 22.5 mm housing width, connecting cable: 3 m



---

## BRIDGE-PT 10 - Bridge

2904498

<https://www.phoenixcontact.com/in/products/2904498>

3-phase loop bridge for 10 CONTACTRON modules, with Push-in connection and 22.5 mm housing width, connecting cable: 3 m





# ELR H3-I-PT- 24DC/500AC-0,6 - Hybrid motor starter



2903920

<https://www.phoenixcontact.com/in/products/2903920>

## BRIDGE-PT 1-1M - Bridge

1161778

<https://www.phoenixcontact.com/in/products/1161778>

3-phase loop bridge for 1 CONTACTRON module, with Push-in connection and 22.5 mm housing width, connecting cable: 1 m



---

## BRIDGE-PT-2-1M - Bridge

1049407

<https://www.phoenixcontact.com/in/products/1049407>

3-phase loop bridge for 2 CONTACTRON modules, with Push-in connection and 22.5 mm housing width, connecting cable: 1 m



# ELR H3-I-PT- 24DC/500AC-0,6 - Hybrid motor starter



2903920

<https://www.phoenixcontact.com/in/products/2903920>

## BRIDGE-PT-3-1M - Bridge

1049408

<https://www.phoenixcontact.com/in/products/1049408>

3-phase loop bridge for 3 CONTACTRON modules, with Push-in connection and 22.5 mm housing width, connecting cable: 1 m



---

## BRIDGE-PT-4-1M - Bridge

1049409

<https://www.phoenixcontact.com/in/products/1049409>

3-phase loop bridge for 4 CONTACTRON modules, with Push-in connection and 22.5 mm housing width, connecting cable: 1 m



# ELR H3-I-PT- 24DC/500AC-0,6 - Hybrid motor starter



2903920

<https://www.phoenixcontact.com/in/products/2903920>

## BRIDGE-PT-5-1M - Bridge

1049413

<https://www.phoenixcontact.com/in/products/1049413>

3-phase loop bridge for 5 CONTACTRON modules, with Push-in connection and 22.5 mm housing width, connecting cable: 1 m



---

## BRIDGE-PT-2-2M/0,3M - Bridge

1107649

<https://www.phoenixcontact.com/in/products/1107649>

3-phase loop bridge for 2 CONTACTRON modules, with Push-in connection and 22.5 mm housing width, cable length between the modules: 0.3 m, connecting cable: 2 m



# ELR H3-I-PT- 24DC/500AC-0,6 - Hybrid motor starter



2903920

<https://www.phoenixcontact.com/in/products/2903920>

## BRIDGE-PT-3-2M/0,3M - Bridge

1107650

<https://www.phoenixcontact.com/in/products/1107650>



3-phase loop bridge for 3 CONTACTRON modules, with Push-in connection and 22.5 mm housing width, cable length between the modules: 0.3 m, connecting cable: 2 m

---

## BRIDGE-PT-4-2M/0,3M - Bridge

1107644

<https://www.phoenixcontact.com/in/products/1107644>



3-phase loop bridge for 4 CONTACTRON modules, with Push-in connection and 22.5 mm housing width, cable length between the modules: 0.3 m, connecting cable: 2 m

# ELR H3-I-PT- 24DC/500AC-0,6 - Hybrid motor starter



2903920

<https://www.phoenixcontact.com/in/products/2903920>

## BRIDGE COVER - Covering hood

2906240

<https://www.phoenixcontact.com/in/products/2906240>



The BRIDGE COVER covering hood is used to cover unused plugs on the CONTACTRON bridge that may subsequently be used to extend the system. The hood can be used with the screw and Push-in version of the bridge.

---

Phoenix Contact 2023 © - all rights reserved

<https://www.phoenixcontact.com>

PHOENIX CONTACT (I) Pvt. Ltd.

A-58/2, Okhla Industrial Area, Phase - II, New Delhi-110 020

+91.1275.71420

[info@phoenixcontact.co.in](mailto:info@phoenixcontact.co.in)