

# BC 107,6-KIT-RPI-7035 - Housing set



1311013

<https://www.phoenixcontact.com/in/products/1311013>

Please be informed that the data shown in this PDF document is generated from our Online Catalog. Please find the complete data in the user documentation. Our General Terms of Use for Downloads are valid.



Empty enclosure, DIN rail mounting, light gray (7035), transparent hinged cover, for Raspberry Pi computer (suitable for Raspberry Pi A+, B+, B2, B3, B4), width: 107.6 mm, height: 89.7 mm, depth: 60.7 mm

## Your advantages

- Tool-free mounting
- Plenty of space for additional circuits on matrix or additional boards
- GPIO strip can be used with PTSM series connection technology
- Easy module-to-module connection, thanks to bus connection via DIN rails

## Commercial Data

Item number	1311013
Packing unit	1 pc
Minimum order quantity	1 pc
Sales Key	*****
Product Key	ACHBAE
GTIN	4063151602956
Weight per Piece (including packing)	122.7 g
Weight per Piece (excluding packing)	22.22 g
Customs tariff number	85369010
Country of origin	DE

# BC 107,6-KIT-RPI-7035 - Housing set

1311013

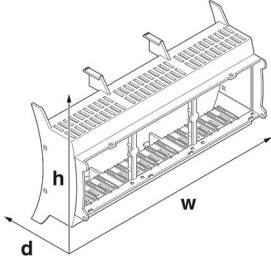
<https://www.phoenixcontact.com/in/products/1311013>

## Technical Data

### Product properties

Product type	Stackable housing set
Type	Housing set
Housing type	DIN rail housing for use in distribution boards in accordance with DIN 43880
Ventilation openings present	yes
Housing series	BC

### Dimensions

Dimensional drawing	
Width	107.6 mm
Height	89.7 mm
Depth	60.7 mm
Depth from top edge of DIN rail	54.7 mm

### Material specifications

Color	light grey (7035)
Flammability rating according to UL 94	V0
Insulating material	Polycarbonat
Housing material	Polycarbonate

### Environmental and real-life conditions

#### Power dissipation single housing for 20 °C

Ambient temperature	20 °C
Reduction factor	1

#### Power dissipation single housing for 30 °C

Ambient temperature	30 °C
Reduction factor	0.84

#### Power dissipation single housing for 40 °C

Ambient temperature	40 °C
Reduction factor	0.72

#### Power dissipation single housing for 50 °C

Ambient temperature	50 °C
---------------------	-------

# BC 107,6-KIT-RPI-7035 - Housing set



1311013

<https://www.phoenixcontact.com/in/products/1311013>

Reduction factor	0.6
------------------	-----

## Power dissipation single housing for 60 °C

Ambient temperature	60 °C
Reduction factor	0.48

## Power dissipation single housing for 70 °C

Ambient temperature	70 °C
Reduction factor	0.38

## Ambient conditions

Max. IP code to attain	IP20
Ambient temperature (operation)	-40 °C ... 105 °C (depending on power dissipation)
Ambient temperature (storage/transport)	-40 °C ... 70 °C
Ambient temperature (assembly)	-5 °C ... 100 °C
Relative humidity (storage/transport)	95 %

## PCB data

Type of PCB mount	Latching
-------------------	----------

## Mounting

Mounting type	DIN rail mounting/wall mounting
Mounting position	parallel to the DIN rail

## Packaging specifications

Type of packaging	packed in cardboard
Outer packaging type	Carton

# BC 107,6-KIT-RPI-7035 - Housing set

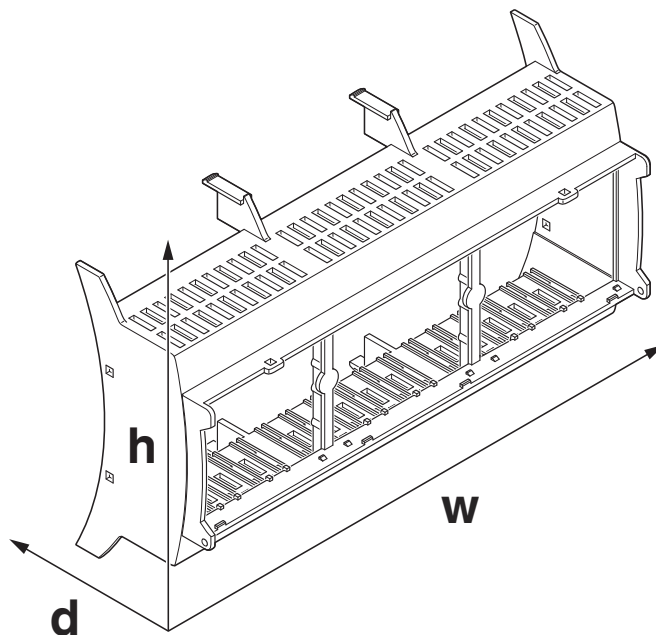
1311013

<https://www.phoenixcontact.com/in/products/1311013>



## Drawings

Dimensional drawing



Schematic figure for illustrating the item dimensions. The figure is not of the desired product. For further details, refer to the product drawings in the "Downloads" tab.

# BC 107,6-KIT-RPI-7035 - Housing set



1311013

<https://www.phoenixcontact.com/in/products/1311013>

## Approvals



**EAC**

Approval ID: B.01687



**UL Recognized**

Approval ID: FILE E 240868

# BC 107,6-KIT-RPI-7035 - Housing set



1311013

<https://www.phoenixcontact.com/in/products/1311013>

## Classifications

### ECLASS

ECLASS-11.0

27182702

### ETIM

ETIM 8.0

EC001031

### UNSPSC

UNSPSC 21.0

31261500

# BC 107,6-KIT-RPI-7035 - Housing set



1311013

<https://www.phoenixcontact.com/in/products/1311013>

## Environmental Product Compliance

China RoHS	Environmentally friendly use period: unlimited = EFUP-e
	No hazardous substances above threshold values

Phoenix Contact 2023 © - all rights reserved  
<https://www.phoenixcontact.com>

PHOENIX CONTACT (I) Pvt. Ltd.  
A-58/2, Okhla Industrial Area, Phase - II, New Delhi-110 020

+91.1275.71420  
[info@phoenixcontact.co.in](mailto:info@phoenixcontact.co.in)