

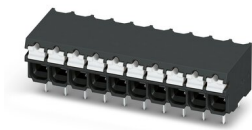
SPT-THR 1,5/ 6-H-3,5 P20 R44 - PCB terminal block



1823670

<https://www.phoenixcontact.com/in/products/1823670>

Please be informed that the data shown in this PDF document is generated from our Online Catalog. Please find the complete data in the user documentation. Our General Terms of Use for Downloads are valid.



PCB terminal block, nominal current: 13.5 A, rated voltage (III/2): 160 V, nominal cross section: 1.5 mm², number of potentials: 6, number of rows: 1, number of positions per row: 6, product range: SPT 1,5/..-H-THR, pitch: 3.5 mm, connection method: Push-in spring connection, mounting: THR soldering, conductor/PCB connection direction: 0 °, color: black, Pin layout: Linear pinning, Solder pin [P]: 2 mm, number of solder pins per potential: 2, type of packaging: 44 mm wide tape

Your advantages

- Time saving push-in connection, tools not required
- Defined contact force ensures that contact remains stable over the long term
- Intuitive use through colour coded actuation lever
- Designed for integration into the SMT soldering process
- Quick and convenient testing using integrated test option
- Operation and conductor connection from one direction enable integration into front of device
- Two solder pins reduce the mechanical strain on the soldering spots

Commercial Data

| | |
|--------------------------------------|--------------------------------|
| Item number | 1823670 |
| Packing unit | 250 pc |
| Minimum order quantity | 250 pc |
| Note | Made to Order (non-returnable) |
| Sales Key | AAL |
| Product Key | AALCCA |
| Catalog Page | Page 11 (NTK-2014) |
| GTIN | 4046356814324 |
| Weight per Piece (including packing) | 4.56 g |
| Weight per Piece (excluding packing) | 4.56 g |
| Customs tariff number | 85369010 |
| Country of origin | PL |

SPT-THR 1,5/ 6-H-3,5 P20 R44 - PCB terminal block



1823670

<https://www.phoenixcontact.com/in/products/1823670>

Technical Data

Product properties

| | |
|---------------------------|--------------------------------|
| Product line | COMBICON Terminals S |
| Product type | Printed circuit board terminal |
| Product family | SPT 1,5/..-H-THR |
| Number of positions | 6 |
| Pitch | 3.5 mm |
| Number of connections | 6 |
| Number of rows | 1 |
| Number of potentials | 6 |
| Pin layout | Linear pinning |
| Solder pins per potential | 2 |

Electrical properties

| | |
|-----------------------------|--------|
| Nominal current I_N | 13.5 A |
| Nominal voltage U_N | 160 V |
| Degree of pollution | 3 |
| Rated voltage (III/3) | 160 V |
| Rated surge voltage (III/3) | 2.5 kV |
| Rated voltage (III/2) | 160 V |
| Rated surge voltage (III/2) | 2.5 kV |
| Rated voltage (II/2) | 320 V |
| Rated surge voltage (II/2) | 2.5 kV |

Connection data

Connection technology

| | |
|-----------------------|---------------------|
| Nominal cross section | 1.5 mm ² |
|-----------------------|---------------------|

Conductor connection

| | |
|---|--|
| Connection method | Push-in spring connection |
| Conductor cross section solid | 0.2 mm ² ... 1.5 mm ² |
| Conductor cross section flexible | 0.2 mm ² ... 1.5 mm ² |
| Conductor cross section AWG | 24 ... 16 |
| Conductor cross section flexible, with ferrule without plastic sleeve | 0.2 mm ² ... 1.5 mm ² |
| Conductor cross section, flexible, with ferrule, with plastic sleeve | 0.2 mm ² ... 0.75 mm ² |
| Stripping length | 8 mm |

Mounting

| | |
|---------------|----------------|
| Mounting type | THR soldering |
| Pin layout | Linear pinning |

Processing notes

SPT-THR 1,5/ 6-H-3,5 P20 R44 - PCB terminal block



1823670

<https://www.phoenixcontact.com/in/products/1823670>

| | |
|----------------------------------|-----------------------|
| Process | Reflow/wave soldering |
| Moisture Sensitive Level | MSL 1 |
| Classification temperature T_c | 260 °C |
| Solder cycles in the reflow | 3 |

Material specifications

Material data - contact

| | |
|--|--|
| Note | WEEE/RoHS-compliant, free of whiskers according to IEC 60068-2-82/JEDEC JESD 201 |
| Contact material | Cu alloy |
| Surface characteristics | hot-dip tin-plated |
| Metal surface terminal point (top layer) | Tin (4 - 8 μm Sn) |
| Metal surface soldering area (top layer) | Tin (4 - 8 μm Sn) |

Material data - housing

| | |
|--|--------------|
| Color (Housing) | black (9005) |
| Insulating material | LCP |
| Insulating material group | IIIa |
| CTI according to IEC 60112 | 175 |
| Flammability rating according to UL 94 | V0 |

Material data – actuating element

| | |
|--|--------------|
| Color (Actuating element) | white (9010) |
| Insulating material | PA GF |
| Insulating material group | I |
| CTI according to IEC 60112 | 600 |
| Flammability rating according to UL 94 | V0 |

Notes

| | |
|-----------------------|--|
| Assembly instruction: | This item is not suitable for PCB cleaning with liquids. |
|-----------------------|--|

Dimensions

PCB design

| | |
|-------------|------|
| Pin spacing | 7 mm |
|-------------|------|

Mechanical tests

Connection test

| | |
|---------------|-----------------------|
| Specification | IEC 60998-2-2:2002-12 |
| Result | Test passed |

Test for conductor damage and slackening

| | |
|---------------|-----------------------|
| Specification | IEC 60998-2-2:2002-12 |
| Result | Test passed |

Pull-out test

SPT-THR 1,5/ 6-H-3,5 P20 R44 - PCB terminal block



1823670

<https://www.phoenixcontact.com/in/products/1823670>

| | |
|---|---|
| Specification | IEC 60998-2-2:2002-12 |
| Conductor cross section/conductor type/tractive force setpoint/actual value | 0.2 mm ² / solid / > 10 N |
| | 0.2 mm ² / flexible / > 10 N |
| | 1.5 mm ² / solid / > 40 N |
| | 1.5 mm ² / flexible / > 40 N |

Flexion test

| | |
|---------------|-----------------------|
| Specification | IEC 60998-2-2:2002-12 |
| Result | Test passed |

Electrical tests

Temperature-rise test

| | |
|-----------------------------------|--------------------------------|
| Specification | IEC 60998-2-1:2002-12 |
| Requirement temperature-rise test | Increase in temperature ≤ 45 K |

Insulation resistance

| | |
|--|---------------------|
| Specification | IEC 60998-1:2002-12 |
| Insulation resistance, neighboring positions | > 5 MΩ |

Air clearances and creepage distances |

| | |
|--|-----------------------|
| Specification | IEC 60947-7-4:2013-08 |
| Insulating material group | IIIa |
| Comparative tracking index (IEC 60112) | CTI 175 |
| Rated insulation voltage (III/3) | 160 V |
| Rated surge voltage (III/3) | 2.5 kV |
| minimum clearance value - non-homogenous field (III/3) | 1.5 mm |
| minimum creepage distance (III/3) | 2.5 mm |
| Rated insulation voltage (III/2) | 160 V |
| Rated surge voltage (III/2) | 2.5 kV |
| minimum clearance value - non-homogenous field (III/2) | 1.5 mm |
| minimum creepage distance (III/2) | 1.6 mm |
| Rated insulation voltage (II/2) | 320 V |
| Rated surge voltage (II/2) | 2.5 kV |
| minimum clearance value - non-homogenous field (II/2) | 1.5 mm |
| minimum creepage distance (II/2) | 3.2 mm |

Environmental and real-life conditions

Vibration test

| | |
|------------------------|-----------------------------|
| Specification | IEC 60068-2-6:2007-12 |
| Frequency | 10 - 150 - 10 Hz |
| Sweep speed | 1 octave/min |
| Amplitude | 0.35 mm (10 Hz ... 60.1 Hz) |
| Sweep speed | 5g (60.1 Hz ... 150 Hz) |
| Test duration per axis | 2.5 h |

SPT-THR 1,5/ 6-H-3,5 P20 R44 - PCB terminal block



1823670

<https://www.phoenixcontact.com/in/products/1823670>

Glow-wire test

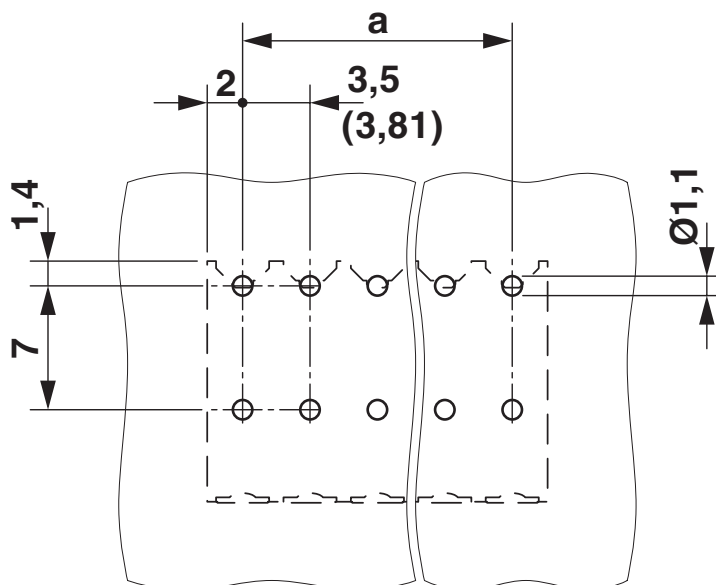
| | |
|------------------|---------------------|
| Specification | IEC 60998-1:2002-12 |
| Temperature | 850 °C |
| Time of exposure | 5 s |

Ambient conditions

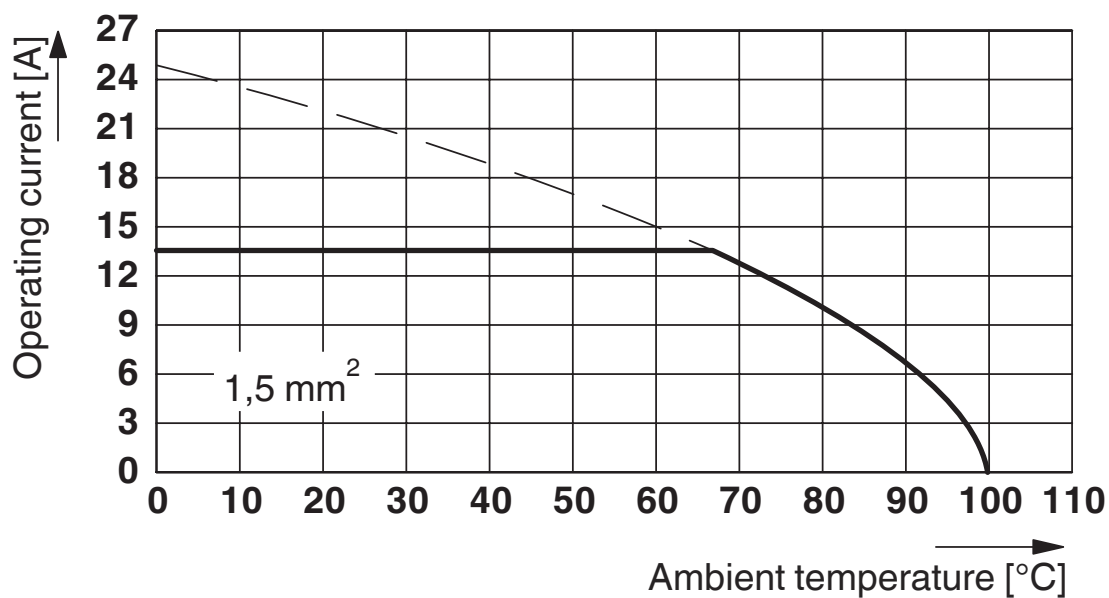
| | |
|---|---|
| Ambient temperature (operation) | -40 °C ... 100 °C (Depending on the current carrying capacity/derating curve) |
| Ambient temperature (storage/transport) | -40 °C ... 70 °C |
| Relative humidity (storage/transport) | 30 % ... 70 % |
| Ambient temperature (assembly) | -5 °C ... 100 °C |

Drawings

Drilling plan/solder pad geometry



Diagram



Type: SPT-THR 1,5/ 5-H-3,5(3,81) P26

Tested according to DIN EN 60512-5-2:2003-01

Reduction factor = 1

Number of positions: 5

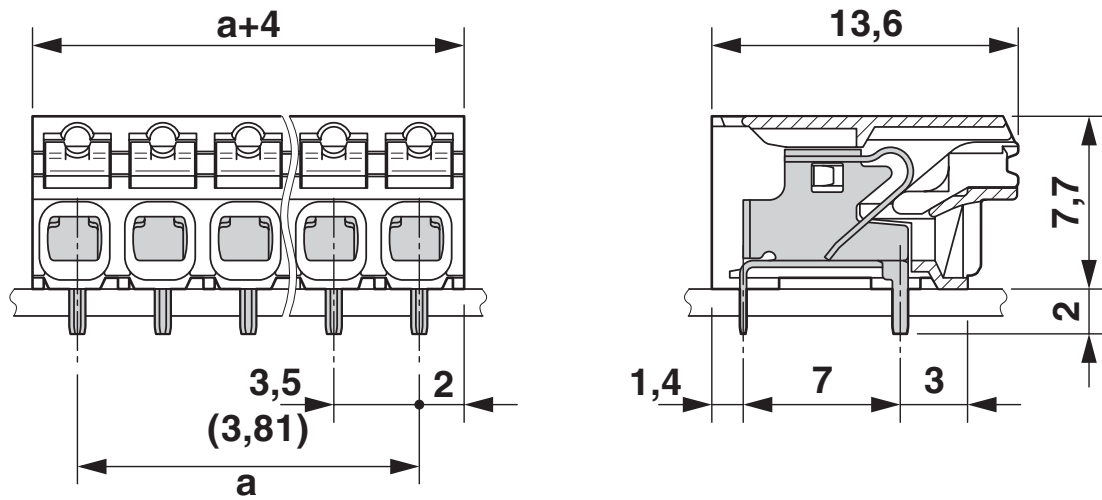
SPT-THR 1,5/ 6-H-3,5 P20 R44 - PCB terminal block



1823670

<https://www.phoenixcontact.com/in/products/1823670>

Dimensional drawing



SPT-THR 1,5/ 6-H-3,5 P20 R44 - PCB terminal block



1823670

<https://www.phoenixcontact.com/in/products/1823670>

Approvals



EAC

Approval ID: B.01687



cULus Recognized

Approval ID: E60425-20061129



VDE Zeichengenehmigung

Approval ID: 40046113

SPT-THR 1,5/ 6-H-3,5 P20 R44 - PCB terminal block



1823670

<https://www.phoenixcontact.com/in/products/1823670>

Classifications

ECLASS

| | |
|---------------|----------|
| ECLASS-10.0.1 | 27440401 |
| ECLASS-11.0 | 27460101 |

ETIM

| | |
|----------|----------|
| ETIM 8.0 | EC002643 |
|----------|----------|

UNSPSC

| | |
|-------------|----------|
| UNSPSC 21.0 | 39121400 |
|-------------|----------|

SPT-THR 1,5/ 6-H-3,5 P20 R44 - PCB terminal block



1823670

<https://www.phoenixcontact.com/in/products/1823670>

Environmental Product Compliance

| | |
|------------|---|
| China RoHS | Environmentally friendly use period: unlimited = EFUP-e |
| | No hazardous substances above threshold values |

SPT-THR 1,5/ 6-H-3,5 P20 R44 - PCB terminal block



1823670

<https://www.phoenixcontact.com/in/products/1823670>

Accessories

SZS 0,4X2,5 VDE - Screwdriver

1205037

<https://www.phoenixcontact.com/in/products/1205037>



Screwdriver, slot-headed, VDE insulated, size: 0.4 x 2.5 x 80 mm, 2-component grip, with non-slip grip

A 0,5 - 8 - Ferrule

3202481

<https://www.phoenixcontact.com/in/products/3202481>



Ferrule, length: 8 mm, color: silver

SPT-THR 1,5/ 6-H-3,5 P20 R44 - PCB terminal block



1823670

<https://www.phoenixcontact.com/in/products/1823670>

A 0,75- 8 - Ferrule

3202504

<https://www.phoenixcontact.com/in/products/3202504>



Ferrule, length: 8 mm, color: silver

A 1 - 8 - Ferrule

3202517

<https://www.phoenixcontact.com/in/products/3202517>



Ferrule, length: 8 mm, color: silver

SPT-THR 1,5/ 6-H-3,5 P20 R44 - PCB terminal block



1823670

<https://www.phoenixcontact.com/in/products/1823670>

AI 0,25- 8 YE - Ferrule

3203037

<https://www.phoenixcontact.com/in/products/3203037>



Ferrule, sleeve length: 8 mm, length: 12.5 mm, color: yellow

AI 0,5 - 8 WH - Ferrule

3200014

<https://www.phoenixcontact.com/in/products/3200014>



Ferrule, sleeve length: 8 mm, length: 14 mm, color: white

SPT-THR 1,5/ 6-H-3,5 P20 R44 - PCB terminal block



1823670

<https://www.phoenixcontact.com/in/products/1823670>

AI 0,5 - 8 WH -1000 - Ferrule

3200881

<https://www.phoenixcontact.com/in/products/3200881>



Ferrule, sleeve length: 8 mm, length: 14 mm, color: white

AI 0,75- 8 GY - Ferrule

3200519

<https://www.phoenixcontact.com/in/products/3200519>



Ferrule, sleeve length: 8 mm, length: 14 mm, color: gray

SPT-THR 1,5/ 6-H-3,5 P20 R44 - PCB terminal block



1823670

<https://www.phoenixcontact.com/in/products/1823670>

AI 0,75- 8 GY -1000 - Ferrule

3200894

<https://www.phoenixcontact.com/in/products/3200894>

Ferrule, sleeve length: 8 mm, length: 14 mm, color: gray



CRIMPFOX 6 - Crimping pliers

1212034

<https://www.phoenixcontact.com/in/products/1212034>



Crimping pliers, for ferrules without insulating collar according to DIN 46228 Part 1 and ferrules with insulating collar according to DIN 46228 Part 4, 0.25 mm² ... 6.0 mm², lateral entry, trapezoidal crimp

Phoenix Contact 2023 © - all rights reserved
<https://www.phoenixcontact.com>

PHOENIX CONTACT (I) Pvt. Ltd.
A-58/2, Okhla Industrial Area, Phase - II, New Delhi-110 020

+91.1275.71420
info@phoenixcontact.co.in