

# PTSA 0,5/ 8-2,5-F - PCB terminal block



1989803

<https://www.phoenixcontact.com/in/products/1989803>

Please be informed that the data shown in this PDF document is generated from our Online Catalog. Please find the complete data in the user documentation. Our General Terms of Use for Downloads are valid.



PCB terminal block, nominal current: 2 A, rated voltage (III/2): 250 V, nominal cross section: 0.5 mm<sup>2</sup>, number of potentials: 8, number of rows: 1, number of positions per row: 8, product range: PTSA 0,5, pitch: 2.5 mm, connection method: Push-in spring connection, mounting: Wave soldering, conductor/PCB connection direction: 45 °, color: green, Pin layout: Linear pinning, Solder pin [P]: 3.6 mm, number of solder pins per potential: 1, type of packaging: packed in cardboard. Soldering legs in front area, one-rowed

## Your advantages

- Time saving push-in connection, tools not required
- Defined contact force ensures that contact remains stable over the long term
- Angled connection enables multi-row arrangement on the PCB

## Commercial Data

Item number	1989803
Packing unit	100 pc
Minimum order quantity	100 pc
Sales Key	AAK
Product Key	AAKBDA
Catalog Page	Page 411 (C-1-2013)
GTIN	4017918973407
Weight per Piece (including packing)	3.13 g
Weight per Piece (excluding packing)	2.73 g
Customs tariff number	85369010
Country of origin	PL

# PTSA 0,5/ 8-2,5-F - PCB terminal block



1989803

<https://www.phoenixcontact.com/in/products/1989803>

## Technical Data

### Product properties

Type	PC termination block
Product line	COMBICON Terminals XS
Product type	Printed circuit board terminal
Product family	PTSA 0,5
Number of positions	8
Pitch	2.5 mm
Number of connections	8
Number of rows	1
Number of potentials	8
Pin layout	Linear pinning
Solder pins per potential	1

### Electrical properties

Nominal current $I_N$	2 A
Nominal voltage $U_N$	250 V
Degree of pollution	3
Rated voltage (III/3)	63 V
Rated surge voltage (III/3)	2.5 kV
Rated voltage (III/2)	250 V
Rated surge voltage (III/2)	2.5 kV
Rated voltage (II/2)	320 V
Rated surge voltage (II/2)	2.5 kV

### Connection data

#### Connection technology

Type	PC termination block
Nominal cross section	0.5 mm <sup>2</sup>

#### Conductor connection

Connection method	Push-in spring connection
Conductor cross section solid	0.14 mm <sup>2</sup> ... 0.5 mm <sup>2</sup>
Conductor cross section flexible	0.2 mm <sup>2</sup> ... 0.5 mm <sup>2</sup>
Conductor cross section AWG	24 ... 20
Stripping length	9 mm

### Mounting

Mounting type	Wave soldering
Pin layout	Linear pinning

### Material specifications

# PTSA 0,5/ 8-2,5-F - PCB terminal block



1989803

<https://www.phoenixcontact.com/in/products/1989803>

## Material data - contact

Note	WEEE/RoHS-compliant, free of whiskers according to IEC 60068-2-82/JEDEC JESD 201
Contact material	Cu alloy
Surface characteristics	hot-dip tin-plated
Metal surface terminal point (top layer)	Tin (4 - 8 µm Sn)
Metal surface soldering area (top layer)	Tin (4 - 8 µm Sn)

## Material data - housing

Color (Housing)	green (6021)
Insulating material	PA
Insulating material group	I
CTI according to IEC 60112	600
Flammability rating according to UL 94	V0
Glow wire flammability index GWFI according to EN 60695-2-12	850
Glow wire ignition temperature GWIT according to EN 60695-2-13	775
Temperature for the ball pressure test according to EN 60695-10-2	125 °C

## Material data – actuating element

Color ()	()
----------	----

## Dimensions

### PCB design

Pin spacing	2.5 mm
-------------	--------

## Mechanical tests

### Connection test

Specification	IEC 60998-2-2:1991-10
Result	Test passed

### Test for conductor damage and slackening

Specification	IEC 60998-2-2:1991-10
Result	Test passed

### Pull-out test

Specification	IEC 60998-2-2:1991-10
Conductor cross section/conductor type/tractive force setpoint/actual value	0.14 mm <sup>2</sup> / solid / > 7 N
	0.2 mm <sup>2</sup> / flexible / > 10 N
	0.5 mm <sup>2</sup> / solid / > 30 N
	0.5 mm <sup>2</sup> / flexible / > 30 N

## Electrical tests

### Temperature-rise test

# PTSA 0,5/ 8-2,5-F - PCB terminal block



1989803

<https://www.phoenixcontact.com/in/products/1989803>

Specification	IEC 60998-2-1:1990-04
Requirement temperature-rise test	Increase in temperature $\leq 45$ K

## Insulation resistance

Specification	IEC 60998-2-2:1991-10
Insulation resistance, neighboring positions	$10^9 \Omega$

## Air clearances and creepage distances |

Specification	IEC 60947-1:2007-06 + A1:2010-12 + A2:2014-09
Insulating material group	I
Comparative tracking index (IEC 60112)	CTI 600
Rated insulation voltage (III/3)	63 V
Rated surge voltage (III/3)	2.5 kV
minimum clearance value - non-homogenous field (III/3)	1.5 mm
minimum creepage distance (III/3)	1.6 mm
Rated insulation voltage (III/2)	250 V
Rated surge voltage (III/2)	2.5 kV
minimum clearance value - non-homogenous field (III/2)	1.5 mm
minimum creepage distance (III/2)	1.5 mm
Rated insulation voltage (II/2)	320 V
Rated surge voltage (II/2)	2.5 kV
minimum clearance value - non-homogenous field (II/2)	1.5 mm
minimum creepage distance (II/2)	1.6 mm

## Environmental and real-life conditions

### Vibration test

Specification	IEC 60068-2-6:1995-03
Frequency	10 - 150 - 10 Hz
Sweep speed	1 octave/min
Amplitude	0.35 mm (10 Hz ... 60.1 Hz)
Sweep speed	5g (60.1 Hz ... 150 Hz)
Test duration per axis	2.5 h

### Glow-wire test

Specification	IEC 60998-2-2:1991-10
Temperature	850 °C
Time of exposure	5 s

### Ambient conditions

Ambient temperature (operation)	-40 °C ... 85 °C
Ambient temperature (storage/transport)	-40 °C ... 70 °C
Relative humidity (storage/transport)	30 % ... 70 %
Ambient temperature (assembly)	-5 °C ... 55 °C

## Packaging specifications

# PTSA 0,5/ 8-2,5-F - PCB terminal block



1989803

<https://www.phoenixcontact.com/in/products/1989803>

Type of packaging	packed in cardboard
-------------------	---------------------

# PTSA 0,5/ 8-2,5-F - PCB terminal block

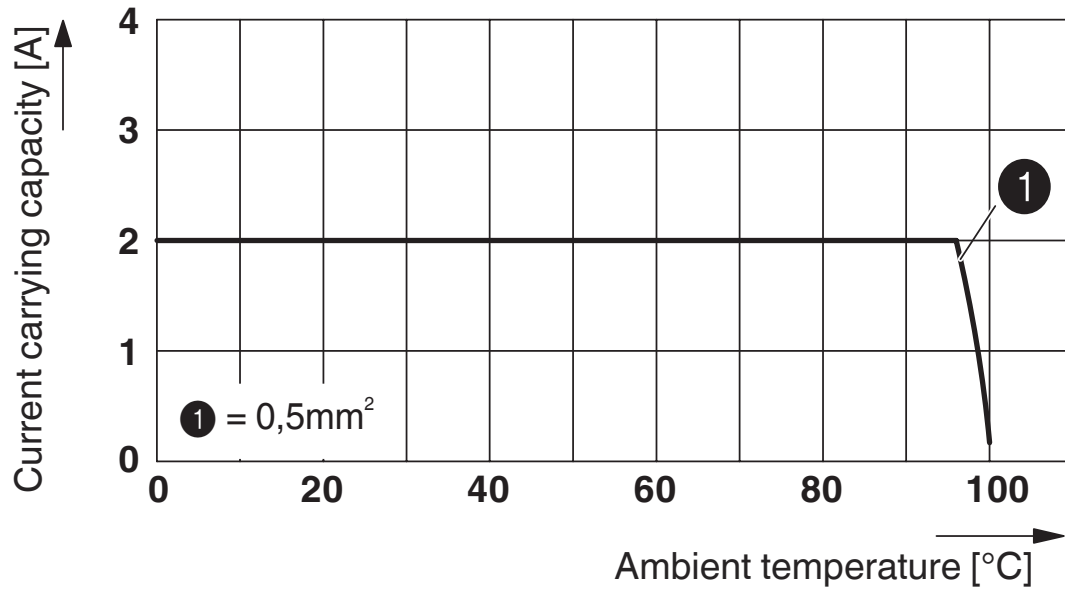


1989803

<https://www.phoenixcontact.com/in/products/1989803>

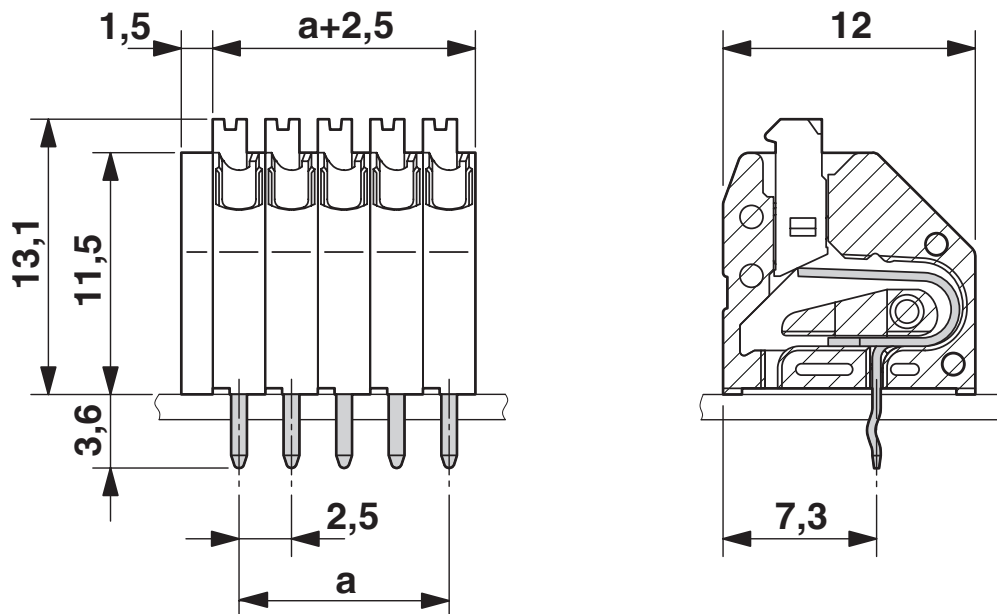
## Drawings

Diagram



Derating diagram for 5 pins;reduction factor=1

Dimensional drawing



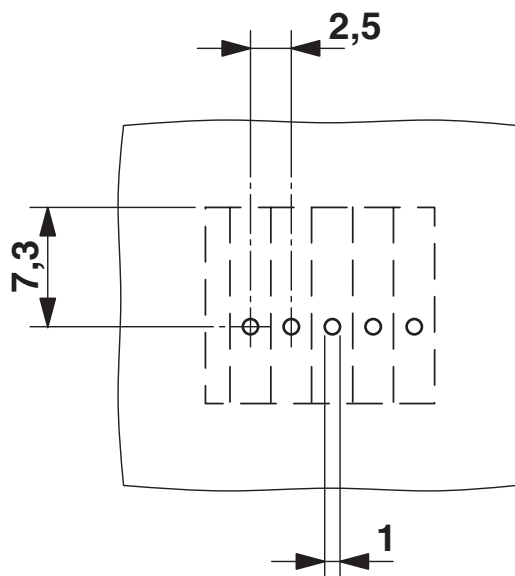
The figure shows the 5-pos. version

# PTSA 0,5/ 8-2,5-F - PCB terminal block

1989803

<https://www.phoenixcontact.com/in/products/1989803>

Drilling plan/solder pad geometry



The figure shows the 5-pos. version

# PTSA 0,5/ 8-2,5-F - PCB terminal block



1989803

<https://www.phoenixcontact.com/in/products/1989803>

## Approvals



**EAC**

Approval ID: B.01687



**cULus Recognized**

Approval ID: E60425-20030527

	Nominal Voltage $U_N$	Nominal Current $I_N$	Cross Section AWG	Cross Section $\text{mm}^2$
Use group B				
Field wiring	150 V	1 A	26 - 20	-
Factory wiring	150 V	2 A	26 - 20	-



**VDE Gutachten mit Fertigungsüberwachung**

Approval ID: 40013932



# PTSA 0,5/ 8-2,5-F - PCB terminal block



1989803

<https://www.phoenixcontact.com/in/products/1989803>

## Classifications

### ECLASS

ECLASS-10.0.1	27440401
ECLASS-11.0	27460101

### ETIM

ETIM 8.0	EC002643
----------	----------

### UNSPSC

UNSPSC 21.0	39121400
-------------	----------

# PTSA 0,5/ 8-2,5-F - PCB terminal block



1989803

<https://www.phoenixcontact.com/in/products/1989803>

## Environmental Product Compliance

China RoHS	Environmentally friendly use period: unlimited = EFUP-e
	No hazardous substances above threshold values

# PTSA 0,5/ 8-2,5-F - PCB terminal block



1989803

<https://www.phoenixcontact.com/in/products/1989803>

## Accessories

SZF 0-0,4X2,5 - Screwdriver

1204504

<https://www.phoenixcontact.com/in/products/1204504>



Actuation tool, for ST terminal blocks, also suitable for use as a bladed screwdriver, size: 0.4 x 2.5 x 75 mm, 2-component grip, with non-slip grip

---

Phoenix Contact 2023 © - all rights reserved  
<https://www.phoenixcontact.com>

PHOENIX CONTACT (I) Pvt. Ltd.  
A-58/2, Okhla Industrial Area, Phase - II, New Delhi-110 020

+91.1275.71420  
[info@phoenixcontact.co.in](mailto:info@phoenixcontact.co.in)