

Lightning/surge arrester type 1/2 - VAL-MS-T1/T2 175/12.5/1+1-FM



2800674

<https://www.phoenixcontact.com/in/products/2800674>

Please be informed that the data shown in this PDF document is generated from our Online Catalog. Please find the complete data in the user documentation. Our General Terms of Use for Downloads are valid.



Universal varistor-based plug-in lightning/surge arrester for 1-phase power supply networks with separate N and PE (3-conductor system: L1, N, PE), with remote indication contact.

Commercial Data

Item number	2800674
Packing unit	1 pc
Minimum order quantity	1 pc
Note	Made to Order (non-returnable)
Sales Key	CL1
Product Key	CL1151
Catalog Page	Page 37 (C-4-2017)
GTIN	4046356624336
Weight per Piece (including packing)	325.6 g
Weight per Piece (excluding packing)	325.6 g
Customs tariff number	85363030
Country of origin	DE

Lightning/surge arrester type 1/2 - VAL-MS-T1/T2 175/12.5/1+1-FM



2800674

<https://www.phoenixcontact.com/in/products/2800674>

Technical Data

Notes

General

Note	Nominal voltage UN = 120 V AC/240 V AC split-phase (separate GND)
------	---

Product properties

IEC test classification	I / II
	I
	T1 / T2
	T1
EN type	T1 / T2
	T1
IEC power supply system	TT
	TN-C
	TN-S
Type	DIN rail module, two-section, divisible
Product type	Arrester combination
Product family	VALVETRAB MS
Surge protection fault message	Optical, remote indicator contact

Insulation characteristics

Overvoltage category	III
Pollution degree	2

Electrical properties

Nominal frequency f_N	50 Hz (60 Hz)
-------------------------	---------------

Indicator/remote signaling

Connection name	Remote fault indicator contact
Switching function	Changeover contact
Operating voltage	5 V AC ... 250 V AC
	30 V DC
Operating current	5 mA AC ... 1.5 A AC
	1 A DC

Connection data

Connection method	Screw connection
Screw thread	M5
Tightening torque	3 Nm (1.5 mm ² ... 16 mm ²)
	4.5 Nm (25 mm ² ... 35 mm ²)
Stripping length	16 mm

Lightning/surge arrester type 1/2 - VAL-MS-T1/T2 175/12.5/1+1-FM

2800674

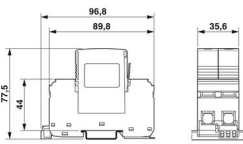
<https://www.phoenixcontact.com/in/products/2800674>

Conductor cross section flexible	1.5 mm ² ... 25 mm ²
Conductor cross section solid	1.5 mm ² ... 35 mm ²
Conductor cross section AWG	15 ... 2
Connection method	Fork-type cable lug
Conductor cross section flexible	1.5 mm ² ... 16 mm ²

Remote fault indicator contact

Connection method	Plug-in/screw connection via COMBICON
Screw thread	M2
Tightening torque	0.25 Nm
Conductor cross section flexible	0.14 mm ² ... 1.5 mm ²
Conductor cross section solid	0.14 mm ² ... 1.5 mm ²
Conductor cross section AWG	28 ... 16

Dimensions

Dimensional drawing	
Width	35.6 mm
Height	96.8 mm
Depth	77.5 mm (incl. DIN rail 7.5 mm)
Horizontal pitch	2 Div.

Material specifications

Color	jet black RAL 9005
Flammability rating according to UL 94	V-0
CTI value of material	600
Insulating material	PA 6.6/PBT
Material group	I
Housing material	PA 6.6 PBT

Mechanical properties

Mechanical data

Open side panel	No
-----------------	----

Protective circuit

Mode of protection	L-N
	L-PE
	N-PE
Direction of action	1L-N & N-PE

Lightning/surge arrester type 1/2 - VAL-MS-T1/T2 175/12.5/1+1-FM



2800674

<https://www.phoenixcontact.com/in/products/2800674>

Nominal voltage U_N	120 V AC (TN-S)
	120 V AC (TT)
Nominal frequency f_N	50 Hz (60 Hz)
Maximum continuous operating voltage U_C (L-N)	175 V AC
Maximum continuous operating voltage U_C (L-PE)	175 V AC
Maximum continuous operating voltage U_C (N-PE)	264 V AC
Rated load current I_L	80 A
Residual current I_{PE}	$\leq 5 \mu\text{A}$
Standby power consumption P_C	$\leq 140 \text{ mVA}$
Nominal discharge current I_n (8/20) μs (L-N)	12.5 kA
Nominal discharge current I_n (8/20) μs (L-PE)	12.5 kA
Nominal discharge current I_n (8/20) μs (N-PE)	50 kA
Maximum discharge current I_{max} (8/20) μs	50 kA
Impulse discharge current (10/350) μs (L-N), charge	6.25 As
Impulse discharge current (10/350) μs (L-N), specific energy	39 kJ/ Ω
Impulse discharge current (10/350) μs (L-N), peak current value I_{imp}	12.5 kA
Impulse discharge current (10/350) μs (L-PE), charge	6.25 As
Impulse discharge current (10/350) μs (L-PE), specific energy	39 kJ/ Ω
Impulse discharge current (10/350) μs (L-PE), peak current value I_{imp}	12.5 kA
Impulse discharge current (10/350) μs (N-PE), charge	25 As
Impulse discharge current (10/350) μs (N-PE), specific energy	625 kJ/ Ω
Impulse discharge current (10/350) μs (N-PE), peak current value I_{imp}	50 kA
Total discharge current I_{total} (8/20) μs	50 kA
Total discharge current I_{total} (10/350) μs	25 kA
Follow current interrupt rating I_{fi} (N-PE)	100 A
Short-circuit current rating I_{SCCR}	25 kA
Voltage protection level U_p (L-N)	$\leq 0.8 \text{ kV}$
Voltage protection level U_p (L-PE)	$\leq 2 \text{ kV}$
Voltage protection level U_p (N-PE)	$\leq 1.7 \text{ kV}$
Residual voltage U_{res} (L-N)	$\leq 0.8 \text{ kV}$ (at I_n)
	$\leq 0.65 \text{ kV}$ (at 10 kA)
	$\leq 0.6 \text{ kV}$ (at 5 kA)
	$\leq 0.5 \text{ kV}$ (at 3 kA)
Residual voltage U_{res} (L-PE)	$\leq 2 \text{ kV}$ (at I_n)
	$\leq 1.5 \text{ kV}$ (at 10 kA)
	$\leq 1.4 \text{ kV}$ (at 5 kA)
	$\leq 1.3 \text{ kV}$ (at 3 kA)
Residual voltage U_{res} (N-PE)	$\leq 0.6 \text{ kV}$ (at I_n)
	$\leq 0.5 \text{ kV}$ (at 10 kA)
	$\leq 0.5 \text{ kV}$ (at 5 kA)

Lightning/surge arrester type 1/2 - VAL-MS-T1/T2 175/12.5/1+1-FM



2800674

<https://www.phoenixcontact.com/in/products/2800674>

	≤ 0.4 kV (at 3 kA)
TOV behavior at U_T (L-N)	208 V AC (5 s / withstand mode)
	229 V AC (120 min / withstand mode)
TOV behavior at U_T (N-PE)	1200 V AC (200 ms / withstand mode)
Response time t_A (L-N)	≤ 25 ns
Response time t_A (L-PE)	≤ 100 ns
Response time t_A (N-PE)	≤ 100 ns
Max. backup fuse with V-type through wiring	80 A (gG - 16 mm ²)
Max. backup fuse with branch wiring	160 A (gG)

Environmental and real-life conditions

Ambient conditions

Degree of protection	IP20 (only when all terminal points are used)
Ambient temperature (operation)	-40 °C ... 80 °C
Ambient temperature (storage/transport)	-40 °C ... 80 °C
Altitude	≤ 2000 m (amsl (above mean sea level))
Permissible humidity (operation)	5 % ... 95 %
Shock (operation)	30g (Half-sine / 11 ms / 3x ±X, ±Y, ±Z)
Vibration (operation)	7.5g (10 ... 500 Hz / 2.5 h / X, Y, Z)

Approval data

UL specifications

Maximum continuous operating voltage MCOV (L-N)	175 V AC
Maximum continuous operating voltage MCOV (L-G)	175 V AC
Maximum continuous operating voltage MCOV (N-G)	264 V AC
Nominal discharge current I_n (L-N)	20 kA
Nominal discharge current I_n (L-G)	20 kA
Nominal discharge current I_n (N-G)	20 kA
Mode of protection	L-N
	L-G
	N-G
Nominal voltage	120 V AC
Power distribution system	Single phase
Nominal frequency	50/60 Hz
Measured limiting voltage MLV (L-N)	2200 V
Measured limiting voltage MLV (L-G)	3160 V
Measured limiting voltage MLV (N-G)	2600 V
SPD Type	4CA

UL indicator/remote signaling

AC operating voltage	125 V AC
AC operating current	1 A AC

Lightning/surge arrester type 1/2 - VAL-MS-T1/T2 175/12.5/1+1-FM



2800674

<https://www.phoenixcontact.com/in/products/2800674>

UL connection data

Tightening torque	30 lb _f -in.
Conductor cross section AWG	10 ... 2

Standards and regulations

Standards/specifications	IEC 61643-11
Standards/specifications	EN 61643-11

Mounting

Mounting type	DIN rail: 35 mm
---------------	-----------------

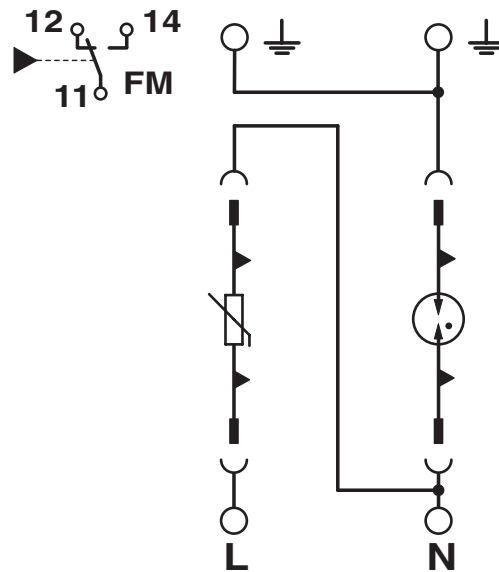
Lightning/surge arrester type 1/2 - VAL-MS-T1/T2 175/12.5/1+1-FM

2800674

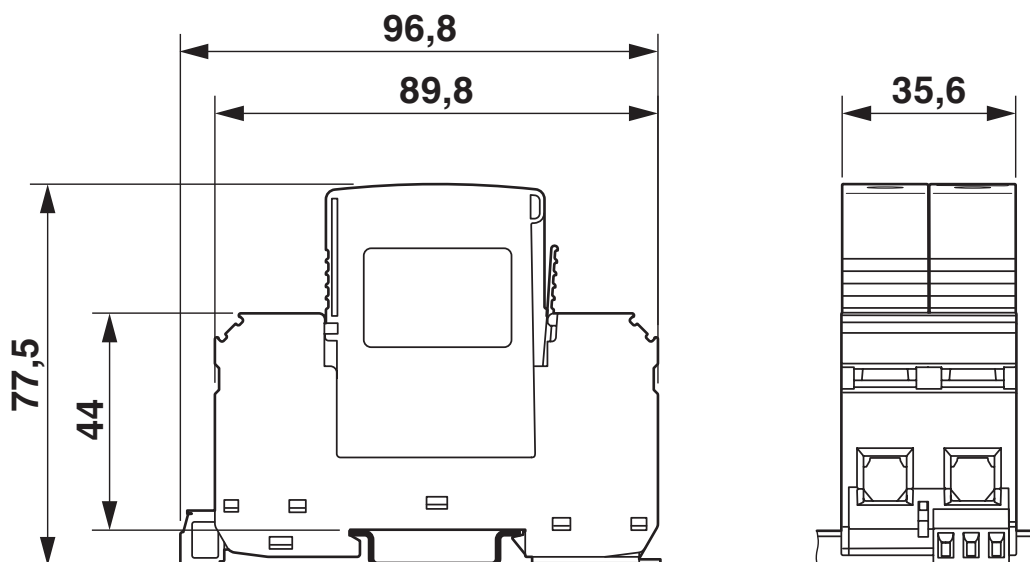
<https://www.phoenixcontact.com/in/products/2800674>

Drawings

Circuit diagram



Dimensional drawing



Lightning/surge arrester type 1/2 - VAL-MS-T1/T2 175/12.5/1+1-FM



2800674

<https://www.phoenixcontact.com/in/products/2800674>

Classifications

ECLASS

ECLASS-9.0

27130802

ETIM

ETIM 7.0

EC000381

Lightning/surge arrester type 1/2 - VAL-MS-T1/T2 175/12.5/1+1-FM



2800674

<https://www.phoenixcontact.com/in/products/2800674>

Environmental Product Compliance

China RoHS

Environmentally Friendly Use Period = 50 years

For information on hazardous substances, refer to the manufacturer's declaration available under "Downloads"

Lightning/surge arrester type 1/2 - VAL-MS-T1/T2 175/12.5/1+1-FM



2800674

<https://www.phoenixcontact.com/in/products/2800674>

Accessories

Wiring bridge

Wiring bridge - MPB F600X16/ 1GS - 2818355

<https://www.phoenixcontact.com/in/products/2818355>



Wiring bridge flexible, diameter: 16 mm², with a fork-type cable lug on one side, length: 600 mm

Wiring bridge

Wiring bridge - MPB F200X16/ 1GS - 2818339

<https://www.phoenixcontact.com/in/products/2818339>



Wiring bridge flexible, diameter 16 mm², with a fork-type cable lug on one side, length: 200 mm

Lightning/surge arrester type 1/2 - VAL-MS-T1/T2 175/12.5/1+1-FM

2800674

<https://www.phoenixcontact.com/in/products/2800674>

Wiring bridge

Wiring bridge - MPB 18/1-10/1.0.0 - 2830443

<https://www.phoenixcontact.com/in/products/2830443>



Wiring bridge for modules with connecting pitch 17.5 mm, 1-phase, 10 pitches with contact sequence 1-0-0

Wiring bridge

Wiring bridge - MPB 18/4-12 - 2809296

<https://www.phoenixcontact.com/in/products/2809296>



Wiring bridge for modules with connecting pitch 17.5 mm, 4-phase, 12-pos.

Lightning/surge arrester type 1/2 - VAL-MS-T1/T2 175/12.5/1+1-FM

2800674

<https://www.phoenixcontact.com/in/products/2800674>

Wiring bridge

Wiring bridge - MPB 18/4- 8 - 2809283

<https://www.phoenixcontact.com/in/products/2809283>

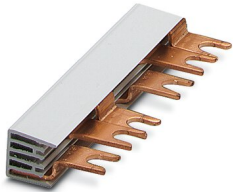


Wiring bridge for modules with connecting pitch 17.5 mm, 4-phase, 8-pos.

Wiring bridge

Wiring bridge - MPB 18/3- 6 - 2809241

<https://www.phoenixcontact.com/in/products/2809241>



Wiring bridge for modules with connecting pitch 17.5 mm, 3-phase, 6-pos.

Lightning/surge arrester type 1/2 - VAL-MS-T1/T2 175/12.5/1+1-FM

2800674

<https://www.phoenixcontact.com/in/products/2800674>

Wiring bridge

Wiring bridge - MPB 18/1-57 - 2809238

<https://www.phoenixcontact.com/in/products/2809238>



Wiring bridge for modules with connecting pitch 17.5 mm, 1-phase, 57-pos.

Wiring bridge

Wiring bridge - MPB 18/1-12 - 2748593

<https://www.phoenixcontact.com/in/products/2748593>



Wiring bridge for modules with connecting pitch 17.5 mm, 1-phase, 12-pos.

Lightning/surge arrester type 1/2 - VAL-MS-T1/T2 175/12.5/1+1-FM

2800674

<https://www.phoenixcontact.com/in/products/2800674>

Wiring bridge

Wiring bridge - MPB 18/1- 9 - 2748580

<https://www.phoenixcontact.com/in/products/2748580>



Wiring bridge for modules with connecting pitch 17.5 mm, 1-phase, 9-pos.

Wiring bridge

Wiring bridge - MPB 18/1- 8 - 2748577

<https://www.phoenixcontact.com/in/products/2748577>



Wiring bridge for modules with connecting pitch 17.5 mm, 1-phase, 8-pos.

Lightning/surge arrester type 1/2 - VAL-MS-T1/T2 175/12.5/1+1-FM

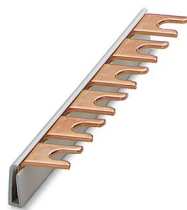
2800674

<https://www.phoenixcontact.com/in/products/2800674>

Wiring bridge

Wiring bridge - MPB 18/1- 6 - 2748564

<https://www.phoenixcontact.com/in/products/2748564>



Wiring bridge for modules with connecting pitch 17.5 mm, 1-phase, 6-pos.

Wiring bridge

Wiring bridge - MPB 18/1- 4 - 2809225

<https://www.phoenixcontact.com/in/products/2809225>



Wiring bridge for modules with connecting pitch 17.5 mm, 1-phase, 4-pos.

Lightning/surge arrester type 1/2 - VAL-MS-T1/T2 175/12.5/1+1-FM

2800674

<https://www.phoenixcontact.com/in/products/2800674>

Wiring bridge

Wiring bridge - MPB 18/1- 3 - 2809212

<https://www.phoenixcontact.com/in/products/2809212>



Wiring bridge for modules with connecting pitch 17.5 mm, 1-phase, 3-pos.

Wiring bridge

Wiring bridge - MPB 18/1- 2 - 2809209

<https://www.phoenixcontact.com/in/products/2809209>



Wiring bridge for modules with connecting pitch 17.5 mm, 1-phase, 2-pos.

Lightning/surge arrester type 1/2 - VAL-MS-T1/T2 175/12.5/1+1-FM

2800674

<https://www.phoenixcontact.com/in/products/2800674>

Marker for terminal blocks

Marker for terminal blocks - ZBN 18,LGS:ERDE - 2749589

<https://www.phoenixcontact.com/in/products/2749589>

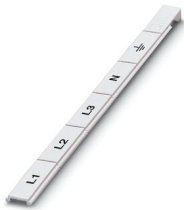


Marker for terminal blocks, Strip, white, labeled, horizontal: Grounding symbol, mounting type: snapped, for terminal block width: 18 mm, lettering field size: 18 x 5 mm, Number of individual labels: 5

Marker for terminal blocks

Marker for terminal blocks - ZBN 18,LGS:L1-N,ERDE - 2749576

<https://www.phoenixcontact.com/in/products/2749576>



Marker for terminal blocks, Strip, white, labeled, horizontal: L1, L2, L3, N, GND, mounting type: snapped, for terminal block width: 18 mm, lettering field size: 18 x 5 mm, Number of individual labels: 5

Lightning/surge arrester type 1/2 - VAL-MS-T1/T2 175/12.5/1+1-FM

2800674

<https://www.phoenixcontact.com/in/products/2800674>

Zack marker strip

Zack marker strip - ZBN 18:UNBEDRUCKT - 2809128

<https://www.phoenixcontact.com/in/products/2809128>



Zack marker strip, Strip, white, unlabeled, can be labeled with: CMS-P1-PLOTTER, PLOTMARK, mounting type: snapped, for terminal block width: 18 mm, lettering field size: 18 x 5 mm, Number of individual labels: 5

Marker pen

Marker pen - B-STIFT - 1051993

<https://www.phoenixcontact.com/in/products/1051993>



Marker pen, for manual labeling of unprinted Zack strips, smear-proof and waterproof, line thickness 0.5 mm

Lightning/surge arrester type 1/2 - VAL-MS-T1/T2 175/12.5/1+1-FM

2800674

<https://www.phoenixcontact.com/in/products/2800674>

Feed-through terminal block

Feed-through terminal block - DK-BIC-35 - 2749880

<https://www.phoenixcontact.com/in/products/2749880>

Feed-through terminal block for VAL and FLT applications



Type 1/2 surge protection plug

Type 1/2 surge protection plug - VAL-MS-T1/T2 175/12.5 ST - 2800676

<https://www.phoenixcontact.com/in/products/2800676>

L-N replacement plug for VAL-MS-T1/T2 175/12.5 plug-in lightning/surge arrester.



Lightning/surge arrester type 1/2 - VAL-MS-T1/T2 175/12.5/1+1-FM



2800674

<https://www.phoenixcontact.com/in/products/2800674>

Type 1/2 surge protection plug

Type 1/2 surge protection plug - F-MS-T1/T2 50 ST - 2800191

<https://www.phoenixcontact.com/in/products/2800191>



N-PE replacement plug for VAL-MS-T1/T2 335/12.5 plug-in lightning/surge arrester.

Phoenix Contact 2023 © - all rights reserved
<https://www.phoenixcontact.com>

PHOENIX CONTACT (I) Pvt. Ltd.
A-58/2, Okhla Industrial Area, Phase - II, New Delhi-110 020

+91.1275.71420
info@phoenixcontact.co.in