

# Interface module - DFLK-D50 SUB/S



2291286

<https://www.phoenixcontact.com/in/products/2291286>

Please be informed that the data shown in this PDF document is generated from our Online Catalog. Please find the complete data in the user documentation. Our General Terms of Use for Downloads are valid.



The VARIOFACE feed-through module implements a 1:1 connection between plug-in screw connection terminal blocks and a D-SUB miniature pin strip (number of positions: 50). There is no separate ground tap.

## Your advantages

- 9-pos. ... 50-pos.
- 9 to 37-pos.: separate ground tap
- 50-pos.: no ground tap
- In accordance with IEC 60807-2
- Screw connection
- 1:1 connection
- D-SUB 4-40 UNC thread

## Commercial Data

Item number	2291286
Packing unit	5 pc
Minimum order quantity	5 pc
Note	Made to Order (non-returnable)
Sales Key	CK2
Product Key	CK2225
Catalog Page	Page 556 (C-5-2019)
GTIN	4017918058333
Weight per Piece (including packing)	162.586 g
Weight per Piece (excluding packing)	146.528 g
Customs tariff number	85369010
Country of origin	DE

## Technical Data

### Product properties

Product type	Interface module
Number of positions	50

### Insulation characteristics

Overvoltage category	II
Pollution degree	2

### Electrical properties

Nominal voltage $U_N$	25 V AC
	60 V DC
Max. current carrying capacity per branch	2.5 A
Max. total current of all branches	50 A
Rated insulation voltage	125 V
Rated surge voltage	1.2 kV (Functional insulation)

### Connection data

#### Field level

Connection in acc. with standard	IEC / EN
Connection method	Screw connection
Stripping length	8 mm
Screw thread	M3
Conductor cross section solid	0.2 mm <sup>2</sup> ... 4 mm <sup>2</sup>
Conductor cross section flexible	0.2 mm <sup>2</sup> ... 2.5 mm <sup>2</sup>
Conductor cross section AWG	24 ... 12

#### Controller level

Connection method	D-SUB pin strip
Number of connections	1
Number of positions	50

### LED signaling

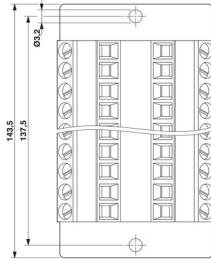
Status display present	No
------------------------	----

### Dimensions

# Interface module - DFLK-D50 SUB/S

2291286

<https://www.phoenixcontact.com/in/products/2291286>

Dimensional drawing	
Width	40 mm
Height	143.5 mm
Depth	33.5 mm

## Material specifications

Housing insulation material	Polyamide PA non-reinforced
-----------------------------	-----------------------------

## Environmental and real-life conditions

### Ambient conditions

Degree of protection	IP20
Ambient temperature (operation)	-20 °C ... 50 °C
Ambient temperature (storage/transport)	-20 °C ... 70 °C

## Approval data

### UKCA

Certificate	UKCA-compliant
-------------	----------------

## Standards and regulations

Standards/regulations	IEC 60664
	DIN EN 50178

## Mounting

Mounting type	DIN rail mounting
Assembly instructions	in rows with zero spacing
Mounting position	any

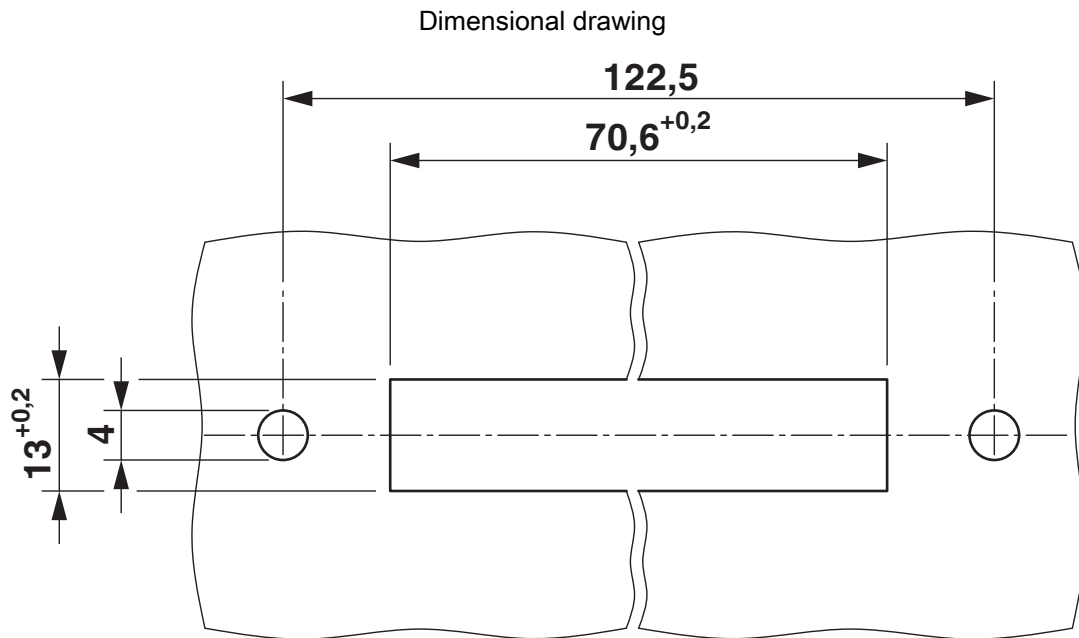
# Interface module - DFLK-D50 SUB/S



2291286

<https://www.phoenixcontact.com/in/products/2291286>

## Drawings



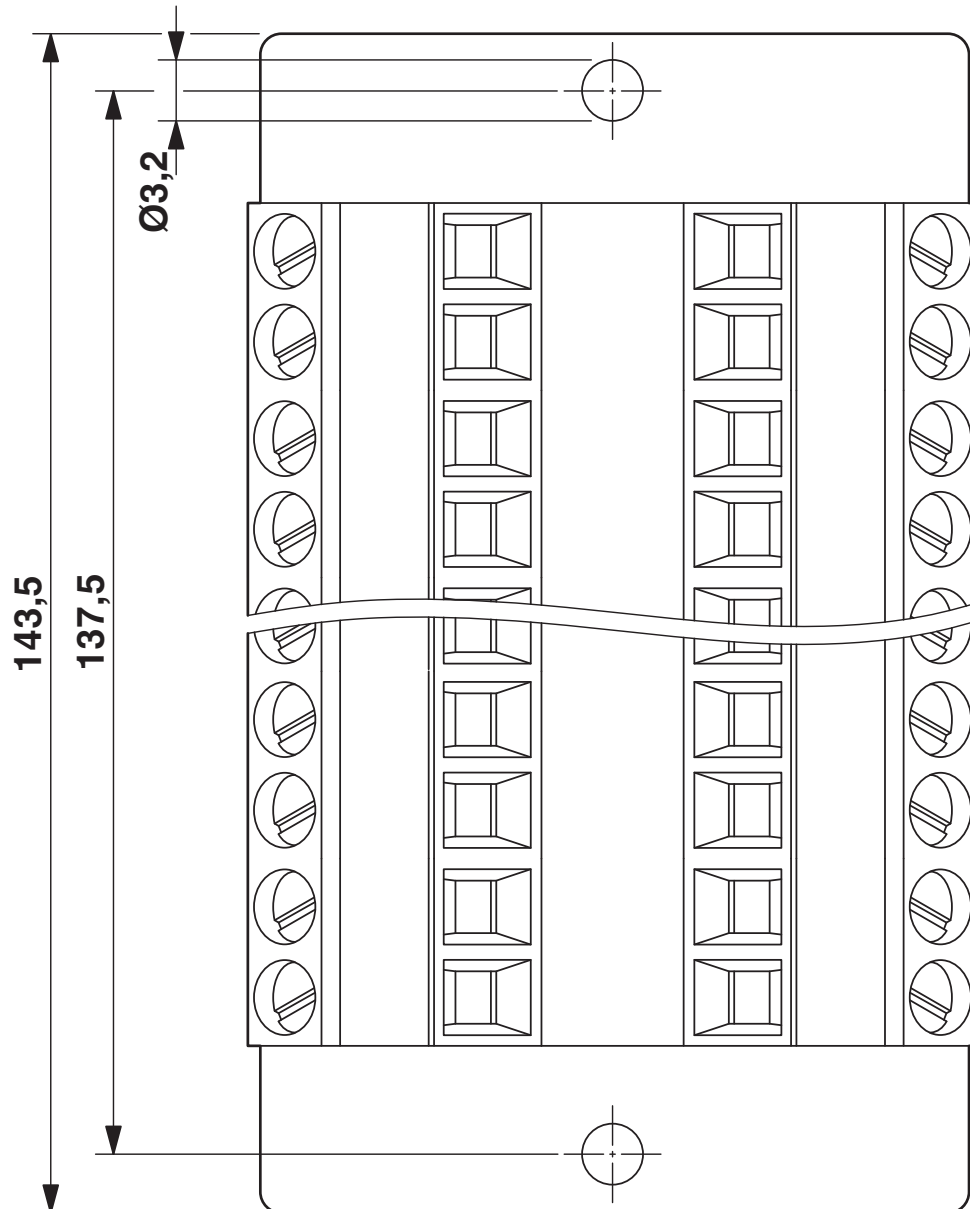
# Interface module - DFLK-D50 SUB/S

2291286

<https://www.phoenixcontact.com/in/products/2291286>



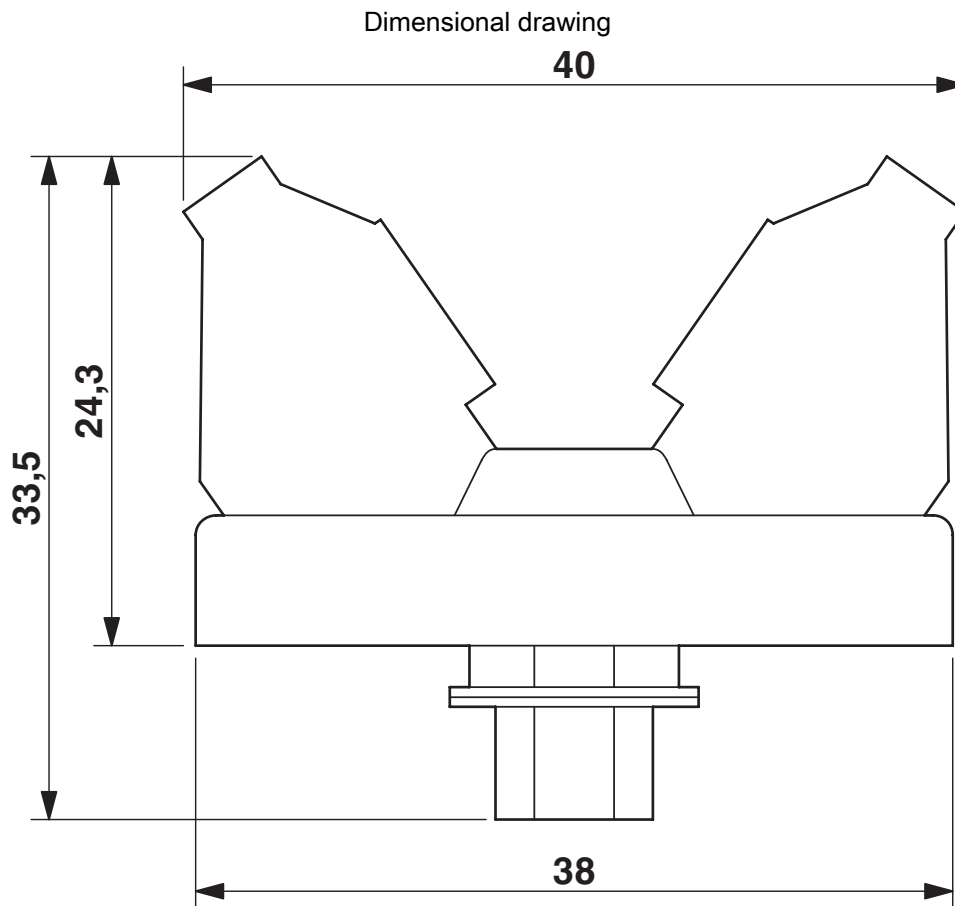
Dimensional drawing



# Interface module - DFLK-D50 SUB/S

2291286

<https://www.phoenixcontact.com/in/products/2291286>




# Interface module - DFLK-D50 SUB/S




2291286

<https://www.phoenixcontact.com/in/products/2291286>

## Approvals

 <b>cUL Recognized</b> Approval ID: FILE E 60425				
	Nominal Voltage $U_N$	Nominal Current $I_N$	Cross Section AWG	Cross Section $\text{mm}^2$
	125 V	2.5 A	30 - 12	-

 <b>UL Recognized</b> Approval ID: FILE E 60425				
	Nominal Voltage $U_N$	Nominal Current $I_N$	Cross Section AWG	Cross Section $\text{mm}^2$
	125 V	2.5 A	30 - 12	-

**cULus Recognized**

# Interface module - DFLK-D50 SUB/S



2291286

<https://www.phoenixcontact.com/in/products/2291286>

## Classifications

### ECLASS

ECLASS-9.0	27141152
ECLASS-10.0.1	27141152
ECLASS-11.0	27141152

### ETIM

ETIM 8.0	EC002780
----------	----------

### UNSPSC

UNSPSC 21.0	39121400
-------------	----------



# Interface module - DFLK-D50 SUB/S



2291286

<https://www.phoenixcontact.com/in/products/2291286>

## Environmental Product Compliance

China RoHS	Environmentally friendly use period: unlimited = EFUP-e
	No hazardous substances above threshold values

# Interface module - DFLK-D50 SUB/S

2291286

<https://www.phoenixcontact.com/in/products/2291286>

## Accessories

### Cable

Cable - CABLE D-SUB-S/.../.../... - 2302340

<https://www.phoenixcontact.com/in/products/2302340>



Shielded round cable, assembled with one D-SUB male and one female connector, variable cable length

---

### Cable

Cable - CABLE D-SUB-B-B-S/.../.../... - 2302421

<https://www.phoenixcontact.com/in/products/2302421>



Shielded round cable, assembled with two D-SUB female connectors, variable cable length

# Interface module - DFLK-D50 SUB/S

2291286

<https://www.phoenixcontact.com/in/products/2291286>

## Cable

Cable - CABLE-D50SUB/B/S/ 50/KONFEK/S - 2302269

<https://www.phoenixcontact.com/in/products/2302269>



Assembled shielded round cable; connection 1: D-SUB socket strip (1x 50-position); connection 2: D-SUB pin strip (1x 50-position); cable length: 0.5 m

---

## Cable

Cable - CABLE-D50SUB/B/S/100/KONFEK/S - 2302272

<https://www.phoenixcontact.com/in/products/2302272>



Assembled shielded round cable; connection 1: D-SUB socket strip (1x 50-position); connection 2: D-SUB pin strip (1x 50-position); cable length: 1 m

# Interface module - DFLK-D50 SUB/S

2291286

<https://www.phoenixcontact.com/in/products/2291286>

## Cable

Cable - CABLE-D50SUB/B/S/150/KONFEK/S - 2302285

<https://www.phoenixcontact.com/in/products/2302285>



Assembled shielded round cable; connection 1: D-SUB socket strip (1x 50-position); connection 2: D-SUB pin strip (1x 50-position); cable length: 1.5 m

---

## Cable

Cable - CABLE-D50SUB/B/S/200/KONFEK/S - 2302298

<https://www.phoenixcontact.com/in/products/2302298>



Assembled shielded round cable; connection 1: D-SUB socket strip (1x 50-position); connection 2: D-SUB pin strip (1x 50-position); cable length: 2 m

# Interface module - DFLK-D50 SUB/S

2291286

<https://www.phoenixcontact.com/in/products/2291286>

## Cable

Cable - CABLE-D50SUB/B/S/300/KONFEK/S - 2302308

<https://www.phoenixcontact.com/in/products/2302308>



Assembled shielded round cable; connection 1: D-SUB socket strip (1x 50-position); connection 2: D-SUB pin strip (1x 50-position); cable length: 3 m

---

## Cable

Cable - CABLE-D50SUB/B/S/400/KONFEK/S - 2302311

<https://www.phoenixcontact.com/in/products/2302311>



Assembled shielded round cable; connection 1: D-SUB socket strip (1x 50-position); connection 2: D-SUB pin strip (1x 50-position); cable length: 4 m

# Interface module - DFLK-D50 SUB/S

2291286

<https://www.phoenixcontact.com/in/products/2291286>

## Cable

Cable - CABLE-D50SUB/B/S/600/KONFEK/S - 2302324

<https://www.phoenixcontact.com/in/products/2302324>



Assembled shielded round cable; connection 1: D-SUB socket strip (1x 50-position); connection 2: D-SUB pin strip (1x 50-position); cable length: 6 m

---

## Cable

Cable - CABLE-D50SUB/B/S/HF/S/ 1,0M - 1066678

<https://www.phoenixcontact.com/in/products/1066678>



Assembled, shielded, halogen-free round cable; connection 1: D-SUB socket strip (1x 50-position); connection 2: D-SUB pin strip (1x 50-position); cable length: 1 m

# Interface module - DFLK-D50 SUB/S

2291286

<https://www.phoenixcontact.com/in/products/2291286>

## Cable

Cable - CABLE-D50SUB/B/S/HF/S/ 2,0M - 1066679

<https://www.phoenixcontact.com/in/products/1066679>



Assembled, shielded, halogen-free round cable; connection 1: D-SUB socket strip (1x 50-position); connection 2: D-SUB pin strip (1x 50-position); cable length: 2 m

---

## Cable

Cable - CABLE-D50SUB/B/S/HF/S/ 3,0M - 1066681

<https://www.phoenixcontact.com/in/products/1066681>



Assembled, shielded, halogen-free round cable; connection 1: D-SUB socket strip (1x 50-position); connection 2: D-SUB pin strip (1x 50-position); cable length: 3 m

# Interface module - DFLK-D50 SUB/S

2291286

<https://www.phoenixcontact.com/in/products/2291286>

## Cable

Cable - CABLE-D50SUB-B-S-HF-S/... - 1075554

<https://www.phoenixcontact.com/in/products/1075554>



Assembled, shielded, halogen-free round cable; connection 1: D-SUB socket strip (1x 50-position); connection 2: D-SUB pin strip (1x 50-position); cable length: variable

---

## Cable

Cable - CABLE-D-50SUB/F/OE/0,25/S/0,5M - 2926292

<https://www.phoenixcontact.com/in/products/2926292>



Assembled shielded round cable; connection 1: Single wires (50-position) (The wires are marked and fitted with ferrules. The braided shield is routed to a separate cable end.); connection 2: D-SUB socket strip (1x 50-position); cable length: 0.5 m



# Interface module - DFLK-D50 SUB/S

2291286

<https://www.phoenixcontact.com/in/products/2291286>

## Cable

Cable - CABLE-D-50SUB/F/OE/0,25/S/1,0M - 2926302

<https://www.phoenixcontact.com/in/products/2926302>



Assembled shielded round cable; connection 1: Single wires (50-position) (The wires are marked and fitted with ferrules. The braided shield is routed to a separate cable end.); connection 2: D-SUB socket strip (1x 50-position); cable length: 1 m

---

## Cable

Cable - CABLE-D-50SUB/F/OE/0,25/S/1,5M - 2926315

<https://www.phoenixcontact.com/in/products/2926315>



Assembled shielded round cable; connection 1: Single wires (50-position) (The wires are marked and fitted with ferrules. The braided shield is routed to a separate cable end.); connection 2: D-SUB socket strip (1x 50-position); cable length: 1.5 m

# Interface module - DFLK-D50 SUB/S

2291286

<https://www.phoenixcontact.com/in/products/2291286>

## Cable

Cable - CABLE-D-50SUB/F/OE/0,25/S/2,0M - 2926328

<https://www.phoenixcontact.com/in/products/2926328>



Assembled shielded round cable; connection 1: Single wires (50-position) (The wires are marked and fitted with ferrules. The braided shield is routed to a separate cable end.); connection 2: D-SUB socket strip (1x 50-position); cable length: 2 m

---

## Cable

Cable - CABLE-D-50SUB/F/OE/0,25/S/3,0M - 2926331

<https://www.phoenixcontact.com/in/products/2926331>



Assembled shielded round cable; connection 1: Single wires (50-position) (The wires are marked and fitted with ferrules. The braided shield is routed to a separate cable end.); connection 2: D-SUB socket strip (1x 50-position); cable length: 3 m

# Interface module - DFLK-D50 SUB/S

2291286

<https://www.phoenixcontact.com/in/products/2291286>

## Cable

Cable - CABLE-D-50SUB/F/OE/0,25/S/4,0M - 2926344

<https://www.phoenixcontact.com/in/products/2926344>



Assembled shielded round cable; connection 1: Single wires (50-position) (The wires are marked and fitted with ferrules. The braided shield is routed to a separate cable end.); connection 2: D-SUB socket strip (1x 50-position); cable length: 4 m

---

## Cable

Cable - CABLE-D-50SUB/F/OE/0,25/S/6,0M - 2926357

<https://www.phoenixcontact.com/in/products/2926357>



Assembled shielded round cable; connection 1: Single wires (50-position) (The wires are marked and fitted with ferrules. The braided shield is routed to a separate cable end.); connection 2: D-SUB socket strip (1x 50-position); cable length: 6 m

# Interface module - DFLK-D50 SUB/S

2291286

<https://www.phoenixcontact.com/in/products/2291286>

## Cable

Cable - CABLE-D-50SUB-F-OE-0,25-S/... - 2900908

<https://www.phoenixcontact.com/in/products/2900908>



Assembled shielded round cable; connection 1: Single wires (50-position) (The wires are marked and fitted with ferrules. The braided shield is routed to a separate cable end.); connection 2: D-SUB socket strip (1x 50-position); cable length: variable

---

Phoenix Contact 2022 © - all rights reserved

<https://www.phoenixcontact.com>

PHOENIX CONTACT (I) Pvt. Ltd.

A-58/2, Okhla Industrial Area, Phase - II, New Delhi-110 020

+91.1275.71420

[info@phoenixcontact.co.in](mailto:info@phoenixcontact.co.in)