

Shield connection clamp - SK 8

3025163

<https://www.phoenixcontact.com/in/products/3025163>

Please be informed that the data shown in this PDF document is generated from our Online Catalog. Please find the complete data in the user documentation. Our General Terms of Use for Downloads are valid.

Shield connection clamp, for shield on busbars, contact resistance < 1 mΩ



Your advantages

- Easy handling
- Spring-loaded, large-surface pressure plate
- Suitable for direct and busbar mounting
- Knurled screw
- As components, it is not possible to certify shield connections in accordance with the requirements of the directive and standards for electrical equipment in potentially explosive areas. As such, shield connection clamps can be used in the Ex area even without an appropriate approval or marking.

Commercial Data

Item number	3025163
Packing unit	10 pc
Minimum order quantity	10 pc
Sales Key	BE7
Product Key	BE7512
Catalog Page	Page 568 (C-3-2019)
GTIN	4017918130299
Weight per Piece (including packing)	15.2 g
Weight per Piece (excluding packing)	15.07 g
Customs tariff number	85369010
Country of origin	DE

Shield connection clamp - SK 8

3025163

<https://www.phoenixcontact.com/in/products/3025163>

Technical Data

Product properties

Product type	Shield connection clamp
Pitch	12 mm
Number of connections	1
Number of rows	1

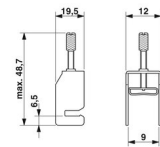
Electrical properties

Maximum power dissipation for nominal condition	0 W
Contact resistance	< 0.001 Ω

Connection data

Grounding foot	Yes
Screw thread	M4
Tightening torque	0.6 ... 0.6 Nm
Connection in acc. with standard	IEC / EN

Dimensions

Dimensional drawing	
Width	12 mm
Height	48.7 mm
Length	19.5 mm
Pitch	12 mm

External dimensions

Outside diameter	3 mm ... 8 mm
------------------	---------------

Material specifications

Color	silver
Material	Steel

Cable / line

External cable diameter	3 mm ... 8 mm
-------------------------	---------------

Standards and regulations

Connection in acc. with standard	IEC / EN
----------------------------------	----------

Mounting

Mounting type	Neutral busbar
---------------	----------------

Shield connection clamp - SK 8

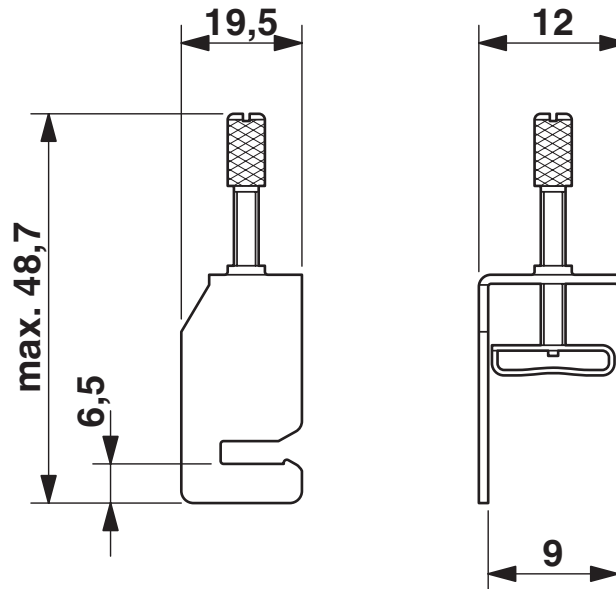
3025163

<https://www.phoenixcontact.com/in/products/3025163>

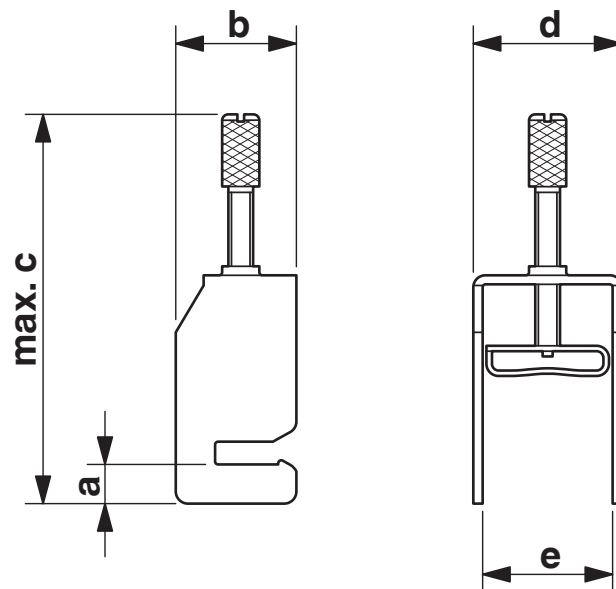


Drawings

Dimensional drawing



Dimensional drawing



Shield connection clamp - SK 8



3025163

<https://www.phoenixcontact.com/in/products/3025163>

Classifications

ECLASS

ECLASS-9.0	27141150
ECLASS-10.0.1	27141150
ECLASS-11.0	27141150

ETIM

ETIM 8.0	EC002020
----------	----------

UNSPSC

UNSPSC 21.0	39121400
-------------	----------

Shield connection clamp - SK 8



3025163

<https://www.phoenixcontact.com/in/products/3025163>

Environmental Product Compliance


China RoHS	Environmentally friendly use period: unlimited = EFUP-e
	No hazardous substances above threshold values

Shield connection clamp - SK 8

3025163

<https://www.phoenixcontact.com/in/products/3025163>

Accessories

 Note: Applying some accessories below might limit this product.


Neutral busbar

Neutral busbar - NLS-CU 3/10 SN 1000MM - 0402174

<https://www.phoenixcontact.com/in/products/0402174>



Neutral busbar, DIN VDE 0611-4: 1991-02, material: Copper, tin-plated, color: silver

 Max. current carrying capacity: 140 A

Connection terminal block

Connection terminal block - AK 4 - 0404017

<https://www.phoenixcontact.com/in/products/0404017>



Connection terminal block, connection method: Screw connection, Rated cross section: 4 mm², cross section: 0.5 mm² - 6 mm², mounting: Neutral busbar, color: silver

Shield connection clamp - SK 8

3025163

<https://www.phoenixcontact.com/in/products/3025163>

Connection terminal block

Connection terminal block - AKG 4 GNYE - 0421029

<https://www.phoenixcontact.com/in/products/0421029>



Connection terminal block, nom. voltage: 300 V, nominal current: 41 A, connection method: Screw connection, Rated cross section: 4 mm², cross section: 0.5 mm² - 6 mm², mounting: Neutral busbar, color: green-yellow

Connection terminal block

Connection terminal block - AKG 4 BK - 0421032

<https://www.phoenixcontact.com/in/products/0421032>



Connection terminal block, nom. voltage: 300 V, nominal current: 41 A, connection method: Screw connection, Rated cross section: 4 mm², cross section: 0.5 mm² - 6 mm², mounting: Neutral busbar, color: black

Shield connection clamp - SK 8

3025163

<https://www.phoenixcontact.com/in/products/3025163>

Support bracket

Support bracket - AB-SK TOP - 3062090

<https://www.phoenixcontact.com/in/products/3062090>



Support bracket, Bracket for busbars, set every 20 cm, length: 102.4 mm, width: 5.2 mm, number of positions: 1, color: gray

Support bracket

Support bracket - AB-SK TOP INSULATED - 3062074

<https://www.phoenixcontact.com/in/products/3062074>



Support bracket, Bracket for busbars, set every 20 cm, length: 102.4 mm, width: 5.2 mm, number of positions: 2, color: gray

Shield connection clamp - SK 8

3025163

<https://www.phoenixcontact.com/in/products/3025163>



Support bracket

Support bracket - AB-SK - 3025341

<https://www.phoenixcontact.com/in/products/3025341>

Support bracket for busbars



Support bracket

Support bracket - AB-SK 65 - 3026489

<https://www.phoenixcontact.com/in/products/3026489>

Support bracket, Bracket for busbars, set every 20 cm, length: 95.5 mm, width: 6.2 mm, number of positions: 1, color: gray



Shield connection clamp - SK 8

3025163

<https://www.phoenixcontact.com/in/products/3025163>



Support bracket

Support bracket - AB-SKS 60 - 3240223

<https://www.phoenixcontact.com/in/products/3240223>

Support bracket for busbars



Support bracket

Support bracket - AB-SK-D TOP - 3062100

<https://www.phoenixcontact.com/in/products/3062100>

Support bracket, Bracket for busbars, set every 20 cm, length: 155.8 mm, width: 5.2 mm, number of positions: 2, color: gray



Shield connection clamp - SK 8

3025163

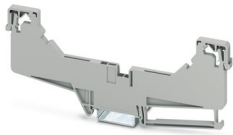
<https://www.phoenixcontact.com/in/products/3025163>

Support bracket

Support bracket - AB-SK-D TOP INSULATED - 3062087

<https://www.phoenixcontact.com/in/products/3062087>

Support bracket, Bracket for busbars, set every 20 cm, length: 155.8 mm, width: 5.2 mm, number of positions: 2, color: gray



Support bracket

Support bracket - AB-SK 65-D - 3026900

<https://www.phoenixcontact.com/in/products/3026900>

Support bracket, Bracket for busbars, set every 20 cm, length: 150 mm, width: 8.2 mm, number of positions: 2, color: gray



Shield connection clamp - SK 8

3025163

<https://www.phoenixcontact.com/in/products/3025163>



Support bracket

Support bracket - AB-SK 65-D INSULATED - 3040889

<https://www.phoenixcontact.com/in/products/3040889>

Support bracket, Bracket for busbars, set every 20 cm, length: 150 mm, width: 8.2 mm, number of positions: 2, color: gray



Support bracket

Support bracket - AB/SS - 0404428

<https://www.phoenixcontact.com/in/products/0404428>

Support bracket made from insulation material, with retaining screw, can be used with either 3 x 10 mm or 6 x 6 mm busbar, color: gray



Shield connection clamp - SK 8

3025163

<https://www.phoenixcontact.com/in/products/3025163>



Support bracket

Support bracket - AB/SS-M - 3025888

<https://www.phoenixcontact.com/in/products/3025888>



Support bracket made from insulation material, with retaining screw, can be used for 3 x 10 mm busbar, color: gray

Support bracket

Support bracket - AB/SKS - 3240224

<https://www.phoenixcontact.com/in/products/3240224>



Support bracket for busbars

Shield connection clamp - SK 8

3025163

<https://www.phoenixcontact.com/in/products/3025163>



Support bracket

Support bracket - AB-SK/E - 3026476

<https://www.phoenixcontact.com/in/products/3026476>

Support bracket, Bracket for busbars, set every 20 cm, length: 10 mm, width: 56 mm, height: 20 mm, number of positions: 2, color: silver



Support bracket

Support bracket - AB-SK/E-NS 35 - 3213111

<https://www.phoenixcontact.com/in/products/3213111>

Support bracket, Bracket for busbars, set every 20 cm, length: 50 mm, width: 56 mm, height: 33.7 mm, number of positions: 2, color: silver



Phoenix Contact 2022 © - all rights reserved
<https://www.phoenixcontact.com>

PHOENIX CONTACT (I) Pvt. Ltd.
A-58/2, Okhla Industrial Area, Phase - II, New Delhi-110 020

+91.1275.71420
info@phoenixcontact.co.in