

Connector - STG-MTN 1,5-2,5 - 3190506

<https://www.phoenixcontact.com/in/products/3190506>



Please be informed that the data shown in this PDF document is generated from our Online Catalog. Please find the complete data in the user documentation. Our General Terms of Use for Downloads are valid.



Module socket contact, inserted in the PCC or HCC plug housing after crimping the conductor, for 1.5 mm² ... 2.5 mm² conductors

Connector - STG-MTN 1,5-2,5 - 3190506

<https://www.phoenixcontact.com/in/products/3190506>



Commercial Data

Order Key	3190506
Packing unit	100 pc
Minimum order quantity	100 pc
Sales Key	ACE
Catalog Page	Page 294 (C-1-2019)
GTIN	4017918093372
Weight per Piece (including packing)	0.5 GRM
Weight per Piece (excluding packing)	0.5 GRM
Customs tariff number	85366990
Country of origin	PL

Connector - STG-MTN 1,5-2,5 - 3190506

<https://www.phoenixcontact.com/in/products/3190506>

Technical Data

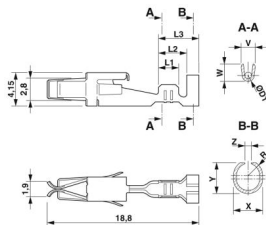
Product properties

Number of positions	1
---------------------	---

Material specifications

Color	silver
Contact surface	Tin Sn

Dimensions

Dimensional drawing	
Pitch	0 mm

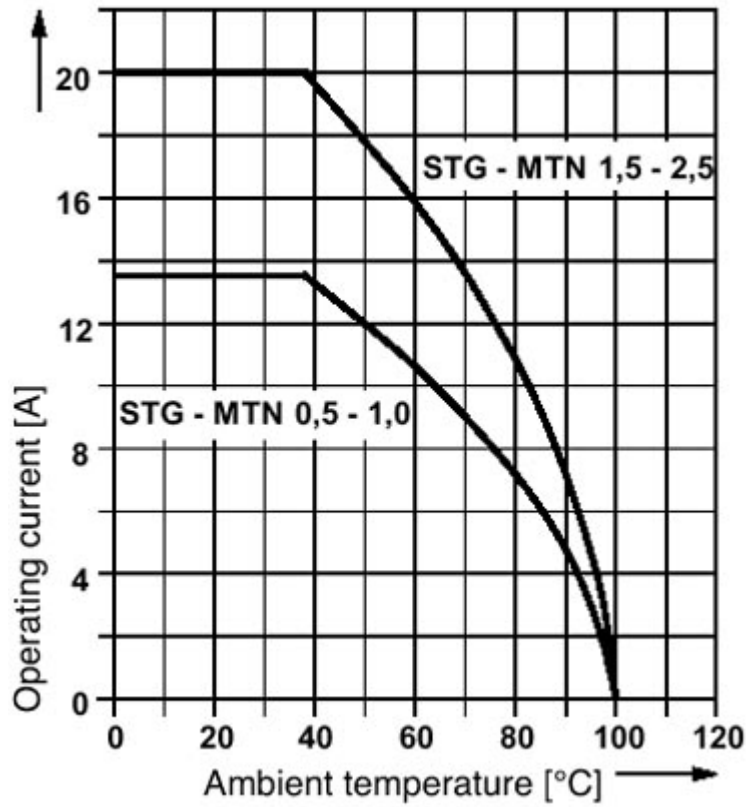
Cable / line

Cable structure

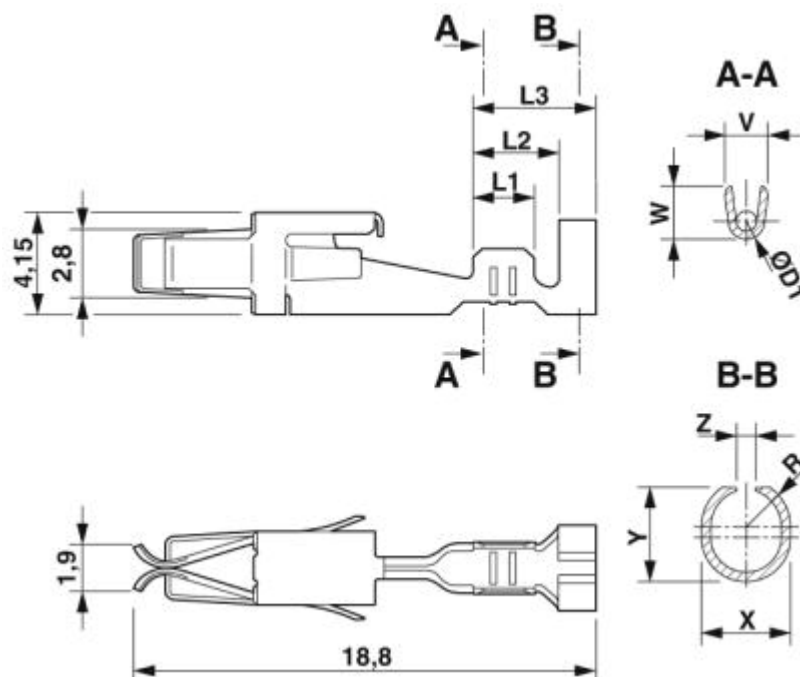
Cable diameter	2.1 mm ... 3.1 mm (including insulation)
----------------	--

Drawings

Diagram



Dimensional drawing



Connector - STG-MTN 1,5-2,5 - 3190506

<https://www.phoenixcontact.com/in/products/3190506>



Approvals

EAC EAC

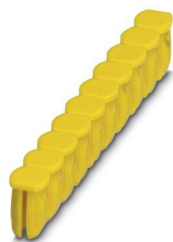
Environmental Product Compliance

China RoHS	Environmentally friendly use period: unlimited = EFUP-e
	No hazardous substances above threshold values

Accessories

Filler plug

Filler plug - CEC 2,5 - 3062757



Cover for conductor shaft, 10-pos., for spring cage terminal blocks (ST) and terminal blocks with push-in technology (PT) with a width of 5.2 mm

Labeled terminal marker

Labeled terminal marker - WST 2,5 - 3030941



Warning cover, 5-pos., for terminal width: 5.2 mm

Connector - STG-MTN 1,5-2,5 - 3190506

<https://www.phoenixcontact.com/in/products/3190506>



Crimping tool

Crimping tool - CRIMPFOX MT 2,5 - 1204038



Crimping pliers, for crimping conductors to the module female contacts STG-MTN, crimp range: 0.5-2.5 mm², AWG: 20-14

Phoenix Contact 2021 © - all rights reserved
<https://www.phoenixcontact.com>

PHOENIX CONTACT (I) Pvt. Ltd.
A-58/2, Okhla Industrial Area, Phase - II, New Delhi-110 020

+91.1275.71420
info@phoenixcontact.co.in