

# Connector - STG-MTN 0,5-1,0 - 3190438

<https://www.phoenixcontact.com/in/products/3190438>



Please be informed that the data shown in this PDF document is generated from our Online Catalog. Please find the complete data in the user documentation. Our General Terms of Use for Downloads are valid.

---



Module socket contact, inserted in the PCC or HCC plug housing after crimping the conductor, for 0.5 mm<sup>2</sup> ... 1.0 mm<sup>2</sup> conductors

---

# Connector - STG-MTN 0,5-1,0 - 3190438

<https://www.phoenixcontact.com/in/products/3190438>



## Commercial Data

Order Key	3190438
Packing unit	100 pc
Minimum order quantity	100 pc
Sales Key	ACE
Catalog Page	Page 294 (C-1-2019)
GTIN	4017918093341
Weight per Piece (including packing)	0.4 GRM
Weight per Piece (excluding packing)	0.4 GRM
Customs tariff number	85366990
Country of origin	PL

# Connector - STG-MTN 0,5-1,0 - 3190438

<https://www.phoenixcontact.com/in/products/3190438>

## Technical Data

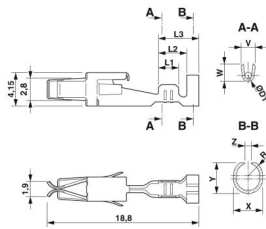
### Product properties

Number of positions	1
---------------------	---

### Material specifications

Color	silver
Contact surface	Tin Sn

### Dimensions

Dimensional drawing	
Pitch	0 mm

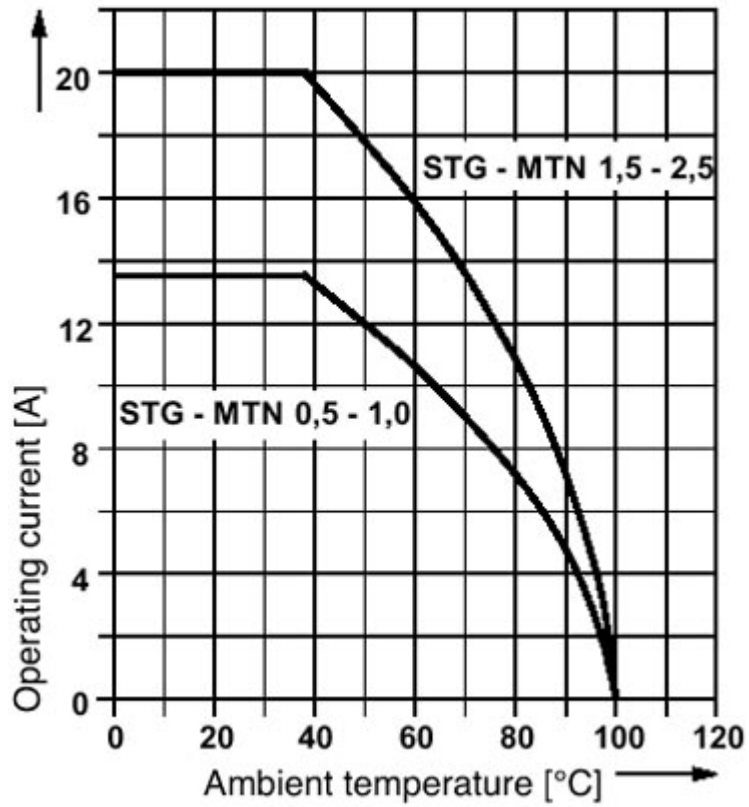
### Cable / line

#### Cable structure

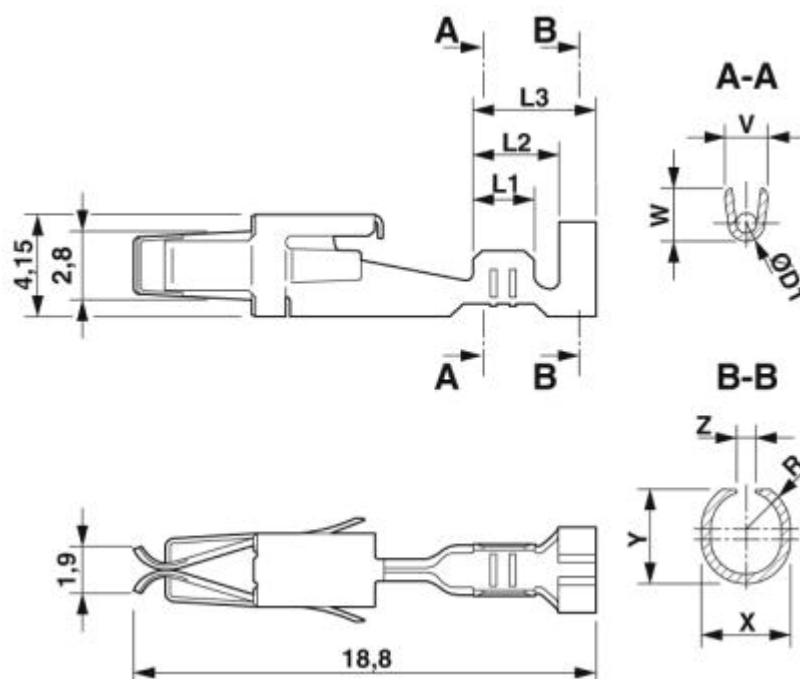
Cable diameter	1.4 mm ... 2.3 mm (including insulation)
----------------	--

## Drawings

Diagram



Dimensional drawing



# Connector - STG-MTN 0,5-1,0 - 3190438

<https://www.phoenixcontact.com/in/products/3190438>



## Approvals

EAC EAC

# Connector - STG-MTN 0,5-1,0 - 3190438

<https://www.phoenixcontact.com/in/products/3190438>



## Environmental Product Compliance

China RoHS	Environmentally friendly use period: unlimited = EFUP-e
	No hazardous substances above threshold values

# Connector - STG-MTN 0,5-1,0 - 3190438

<https://www.phoenixcontact.com/in/products/3190438>



## Accessories

### Crimping tool

Crimping tool - CRIMPFOX MT 2,5 - 1204038



Crimping pliers, for crimping conductors to the module female contacts STG-MTN, crimp range: 0.5-2.5 mm<sup>2</sup>, AWG: 20-14

---

Phoenix Contact 2021 © - all rights reserved  
<https://www.phoenixcontact.com>

PHOENIX CONTACT (I) Pvt. Ltd.  
A-58/2, Okhla Industrial Area, Phase - II, New Delhi-110 020

+91.1275.71420  
[info@phoenixcontact.co.in](mailto:info@phoenixcontact.co.in)