

Data plug - VS-04-2X2X26C7/7- SDA/SDB/1,0 - 1654853

<https://www.phoenixcontact.com/in/products/1654853>

Please be informed that the data shown in this PDF document is generated from our Online Catalog. Please find the complete data in the user documentation. Our General Terms of Use for Downloads are valid.



Assembled USB cable, shielded, color: RAL 5021 (water blue), PUR outer sheath, USB type A/standard on USB type B/standard, length: 1 m

Data plug - VS-04-2X2X26C7/7- SDA/SDB/1,0 - 1654853



<https://www.phoenixcontact.com/in/products/1654853>

Commercial Data

Order Key	1654853
Packing unit	1 pc
Minimum order quantity	1 pc
Sales Key	ABN
Catalog Page	Page 452 (C-2-2019)
GTIN	4017918984199
Weight per Piece (including packing)	84.0 GRM
Weight per Piece (excluding packing)	78.0 GRM
Customs tariff number	85444290
Country of origin	DE

Data plug - VS-04-2X2X26C7/7- SDA/SDB/1,0 - 1654853

<https://www.phoenixcontact.com/in/products/1654853>

Technical Data

Product properties

Number of positions	4
Insulation characteristics	
Degree of pollution	2

Material specifications

Housing material	PA
------------------	----

Connector

Insertion/withdrawal cycles	≥ 500
-----------------------------	-------

Cable / line

Cable length	1.00 m
Shielded	yes
Cable weight	59 kg/km

Cable structure

Cable type	FireWire
Cable type (abbreviation)	980
Signal type/category	USB CAT7, 480 Mbps FireWire CAT7, 400 Mbps
Cable structure	2x2xAWG26/7 + 2xAWG20/19; S/FTP
External cable diameter	6.7 mm
Outer sheath, material	PUR
External sheath, color	water blue RAL 5021
Conductor material	Bare Cu litz wires
Conductor structure signal line	7x 0.15 mm
AWG signal line	26
Conductor structure, voltage supply	19x 0.20 mm
AWG power supply	20
Material wire insulation	Cell PE (Signal line) PVC (Power supply)
Wire diameter incl. insulation	≤ 1.05 mm (Signal line) nom. 1.4 mm (Power supply)
Single wire, color	White-blue, white-orange, white, black
Twisted pairs	2 cores to the pair
Type of pair shielding	Aluminum-lined polyester foil
Overall twist	Two pairs and two power supply wires to the core
Shielding	Tinned copper braided shield

Electrical properties

Data plug - VS-04-2X2X26C7/7- SDA/SDB/1,0 - 1654853

<https://www.phoenixcontact.com/in/products/1654853>

Nominal voltage, cable	≤ 125 V
Test voltage, cable	1000 V
Conductor resistance	150 Ω/km
Cable insulation resistance	5 GΩ*km
Coupling resistance	5.00 mΩ/m (at 10 MHz)
Wave impedance	100 Ω ±5 % (at 100 MHz)
Working capacitance	42 pF (per meter)
Signal runtime	4.6 ns/m
Signal speed	0.72 c
Interference suppression	90 dB (up to 1000 MHz)

Mechanical properties

Minimum bending radius, fixed installation	5 x D
Minimum bending radius, flexible installation	5 x D
Tensile strength	≤ 30 N

Attenuation

Shield attenuation	60 dB (up to 1000 MHz)
--------------------	------------------------

Ambient conditions

Resistance to oil	according to EN 60811-2-1
Flame resistance	complying with IEC 60332-2-2
Other resistance	Microbe resistance as per DIN VDE 0282
	Hydrolysis resistance as per DIN 53504
Special properties	Free of substances which would hinder coating with paint or varnish
Ambient temperature (operation)	-10 °C ... 50 °C (cable, flexible installation)
	-40 °C ... 70 °C (cable, fixed installation)

Cable structure

Cable structure	2x2xAWG26/7 + 2xAWG20/19; S/FTP
External cable diameter	6.70 mm
Outer sheath, material	PUR
External sheath, color	water blue RAL 5021
Conductor material	Bare Cu litz wires
Conductor structure signal line	7x 0.15 mm
AWG signal line	26
Conductor structure, voltage supply	19x 0.20 mm
AWG power supply	20
Wire diameter incl. insulation	1 mm (Signal line)

Electrical properties

Wave impedance	100 Ω ±5 % (Signal line)
----------------	--------------------------

Mechanical properties

Smallest bending radius, fixed installation	≥ 35 mm
---	---------

Data plug - VS-04-2X2X26C7/7- SDA/SDB/1,0 - 1654853



<https://www.phoenixcontact.com/in/products/1654853>

Smallest bending radius, movable installation	≥ 35 mm
---	---------

Ambient conditions

Ambient temperature (operation)	0 °C ... 50 °C (cable, flexible installation)
	-20 °C ... 60 °C (cable, fixed installation)

Electrical properties

Rated voltage (III/3)	125 V
Rated current	1 A
Transmission medium	Copper

Characteristics

Shielded	yes
----------	-----

Environmental and real-life conditions

Ambient conditions

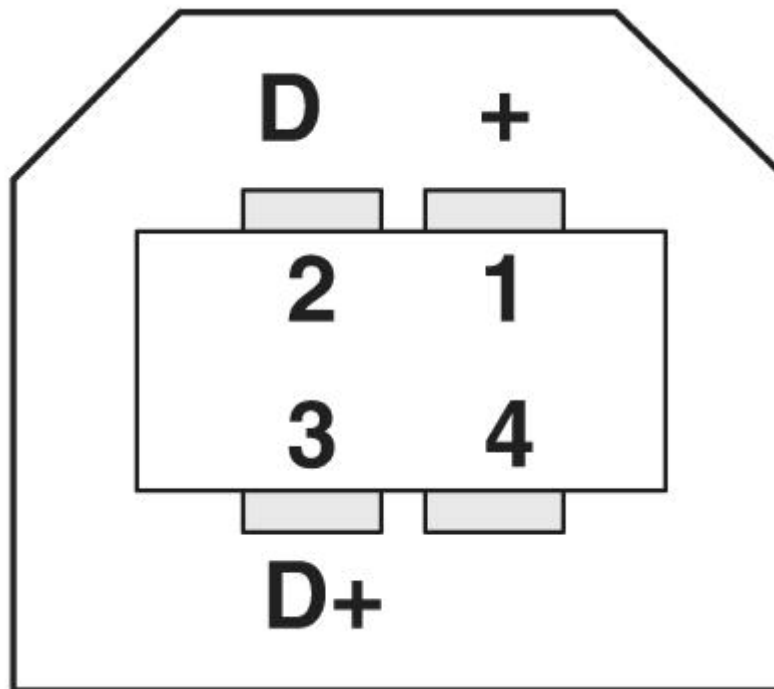
Degree of protection	IP20
Degree of protection	IP20
Ambient temperature (operation)	-20 °C ... 60 °C (cable, fixed installation)
	0 °C ... 50 °C (cable, flexible installation)
	Plug / socket

Data plug - VS-04-2X2X26C7/7-
SDA/SDB/1,0 - 1654853

<https://www.phoenixcontact.com/in/products/1654853>

Drawings

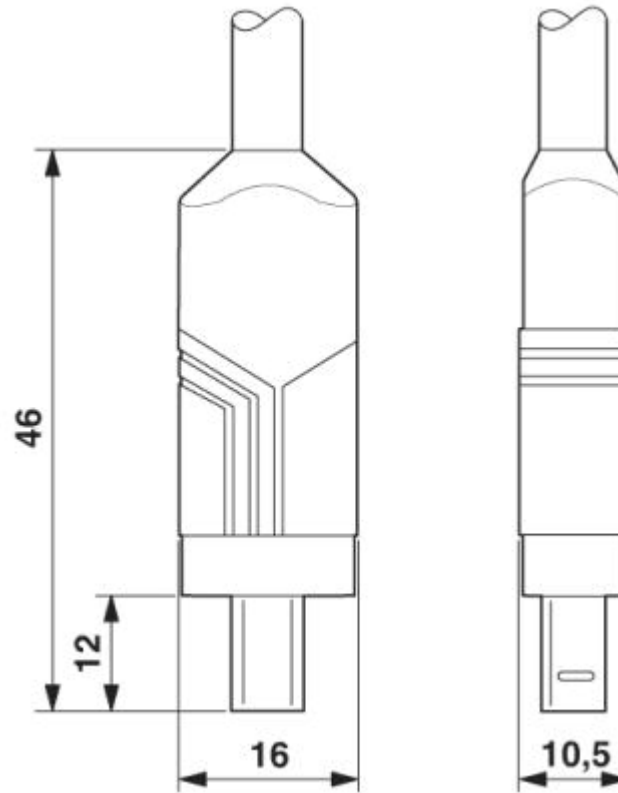
Schematic diagram



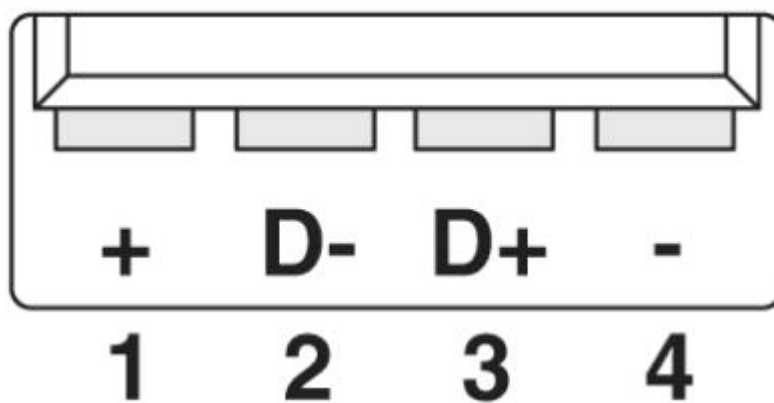
Data plug - VS-04-2X2X26C7/7-
SDA/SDB/1,0 - 1654853

<https://www.phoenixcontact.com/in/products/1654853>

Dimensional drawing



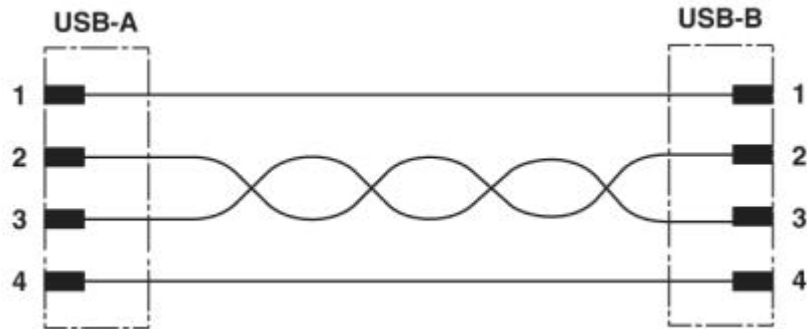
Schematic diagram



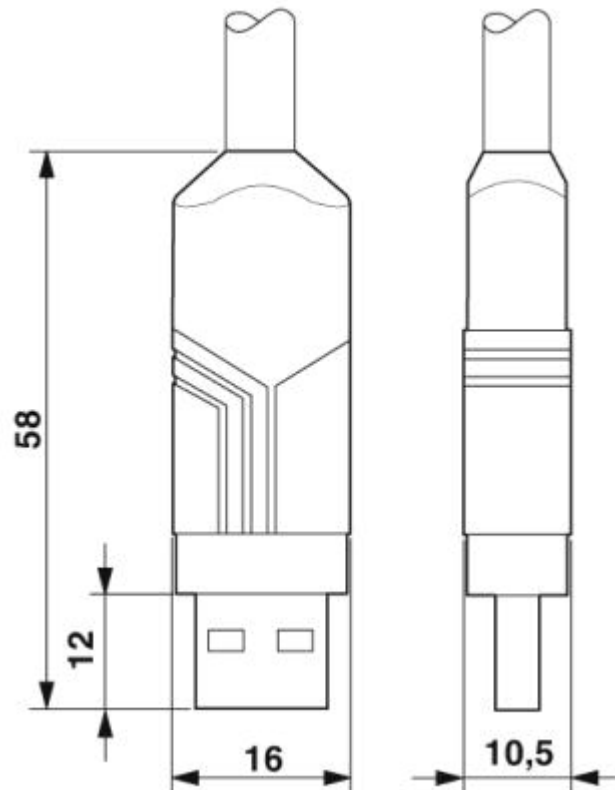
Data plug - VS-04-2X2X26C7/7-
SDA/SDB/1,0 - 1654853

<https://www.phoenixcontact.com/in/products/1654853>

Circuit diagram



Dimensional drawing



Data plug - VS-04-2X2X26C7/7- SDA/SDB/1,0 - 1654853

<https://www.phoenixcontact.com/in/products/1654853>



Approvals

EAC 

Data plug - VS-04-2X2X26C7/7- SDA/SDB/1,0 - 1654853



<https://www.phoenixcontact.com/in/products/1654853>

Environmental Product Compliance

China RoHS	Environmentally friendly use period: unlimited = EFUP-e
	No hazardous substances above threshold values

Phoenix Contact 2021 © - all rights reserved
<https://www.phoenixcontact.com>

PHOENIX CONTACT (I) Pvt. Ltd.
A-58/2, Okhla Industrial Area, Phase - II, New Delhi-110 020

+91.1275.71420
info@phoenixcontact.co.in